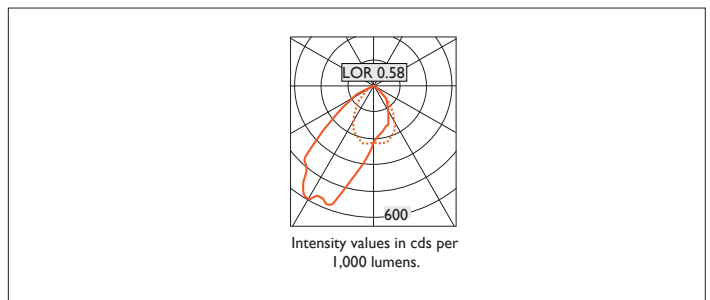
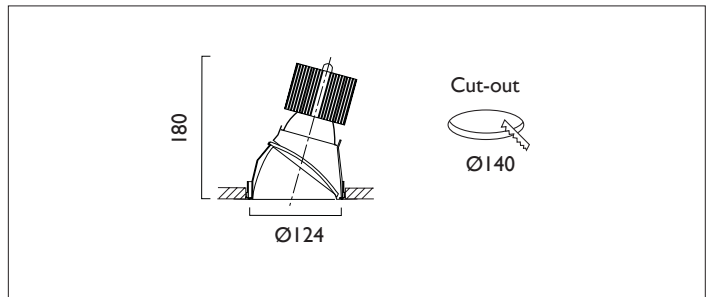


TRIMLESS VP X124 LENS WALLWASHER

TRIMLESS VP X124 with Xicato LED visual performance and comfort recessed spread lens wallwasher with deep cone reflector finished in low glare, high reflectivity, diffused spectro silver. Overall diameter 124mm, cut out 140mm.



Product Number	C5908/*Engine
Lamp Type	Xicato LED, Up to 2000 lumens
Construction	Aluminium / Steel
IP	IP20
Control	Driver

*Light Engine Specification
Xicato XTM L80 50,000 Hours, Ra80

11A	---	1105 lm	9.3W	119 lm/w	350mA
14A	---	1490 lm	3.6W	110 lm/w	500mA
20A	---	2000 lm	19.5W	102 lm/w	700mA

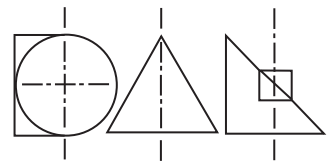
2700K	2	<ul style="list-style-type: none"> 0 No Emergency E Emergency
3000K	3	
3500K	4	
4000K	5	

0	Fixed Output
1	I-10V
3	DSI
5	DALI
7	Lead / Trailing
9	Addressable



Trimless VP X Lens Wallwasher

Installation and Maintenance Procedure



PRODUCT NUMBER:- C59XX
C67XX

ALL LED PRODUCTS REQUIRE THE USE OF
A SUITABLE RATED DRIVER (SUPPLIED)



IP20 220-240V~ 50/60 HZ

Country of origin
United Kingdom

WEE/EA0290TY



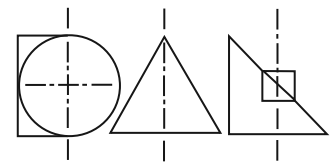
SWITCH OFF
ABSCHALLEN
DISINSERIRE
COUPER LE CONTACT

PRODUCT	RANGE	CUT OUT (A)	HEIGHT (B)
C59XX	X124	Ø140mm	134mm
C67XX	X143	Ø156mm	162mm

- WARNING. SWITCH OFF MAINS BEFORE INSTALLING OR SERVICING
- REPLACE ANY CRACKED GLASS
- RETAIN PROCEDURE FOR FUTURE USE

Trimless VP X Lens Wallwasher

Installation and Maintenance Procedure



PRODUCT NUMBER:- C59XX
C67XX



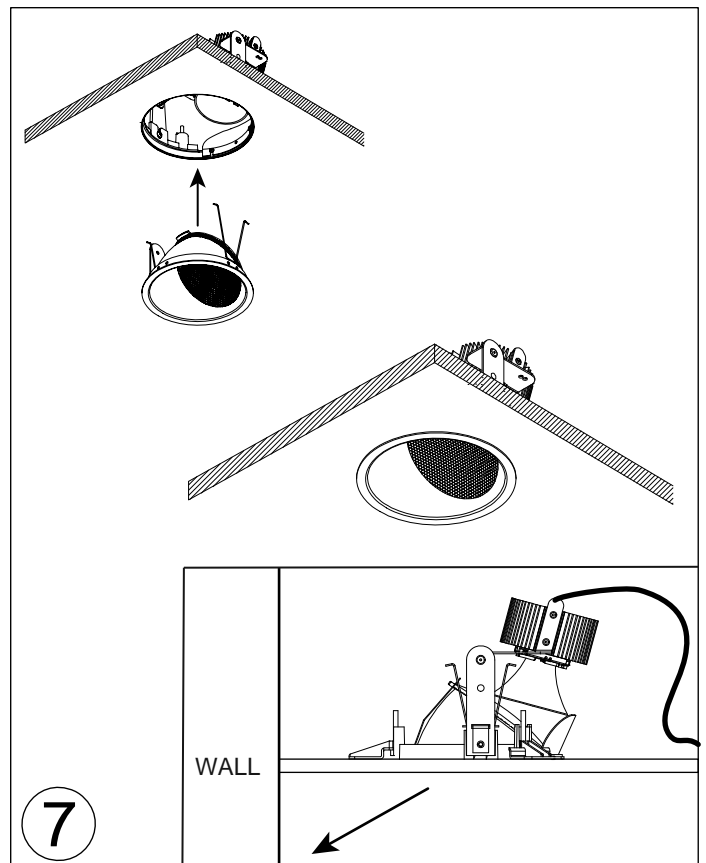
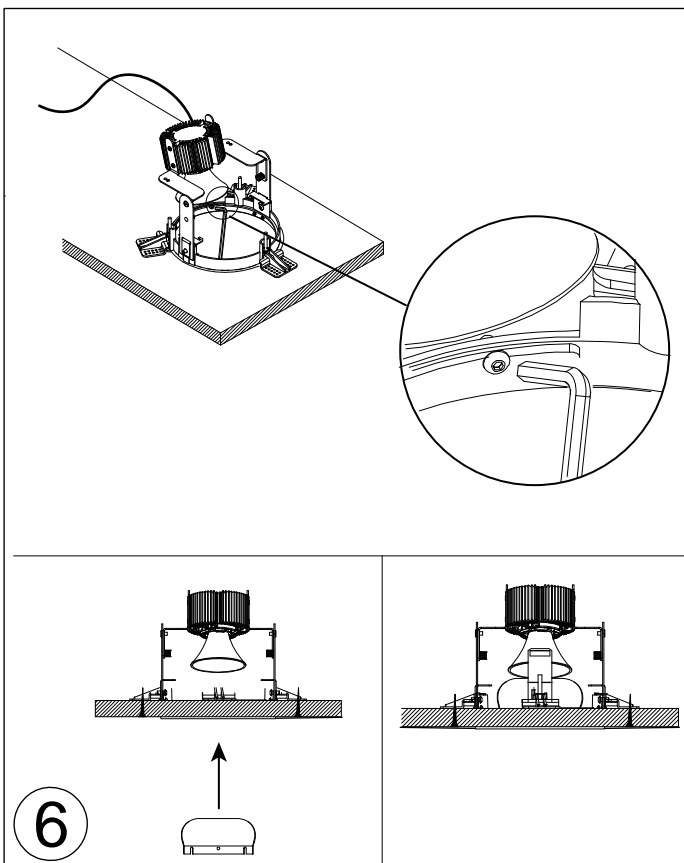
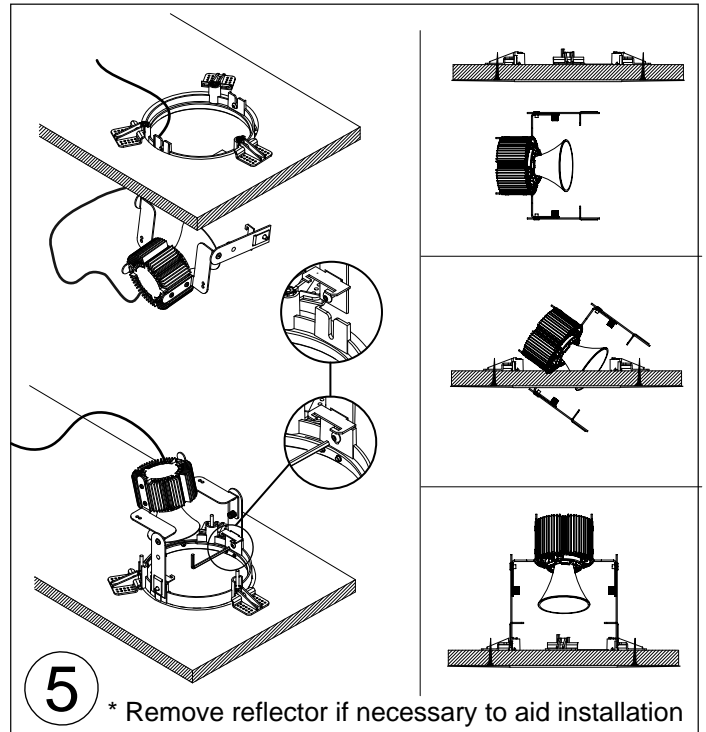
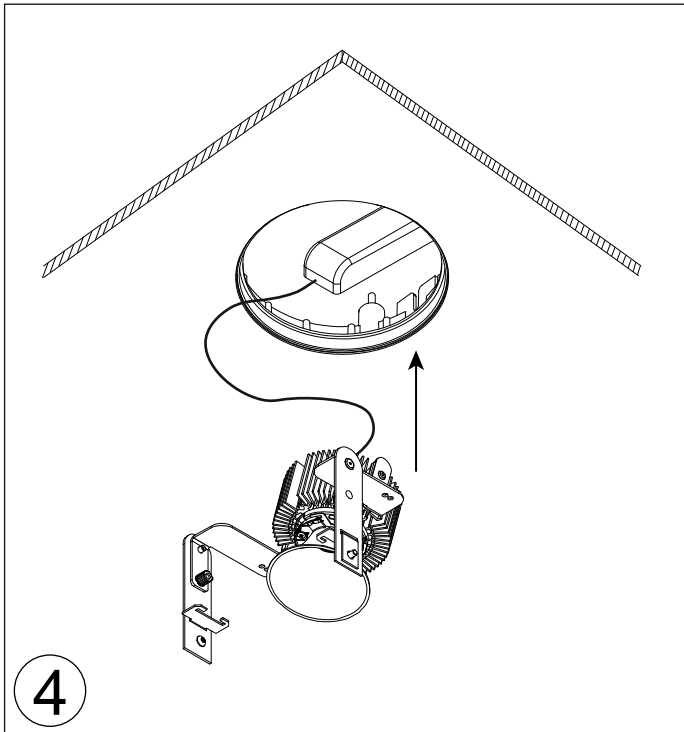
IP20 220-240V~ 50/60 HZ

Country of origin
United Kingdom

WEE/EA0290TY

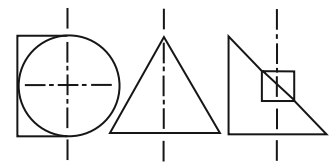


ALL LED PRODUCTS REQUIRE THE USE OF
A SUITABLE RATED DRIVER (SUPPLIED)



- WARNING. SWITCH OFF MAINS BEFORE INSTALLING OR SERVICING
- REPLACE ANY CRACKED GLASS
- RETAIN PROCEDURE FOR FUTURE USE

General Installation and Maintenance Procedure for Designed Architectural Lighting Luminaires



General Information

- Follow instruction sheet to ensure safe and reliable operation of product. Retain for future reference.
- The product should NOT be modified. Any modification will negate the safety mark/approvals, and may render the product unsafe.
- DAL accepts no responsibility for modified products. Modifications includes devices fitted between the lamp and lamp holder.
- All replacement component should be identical with those replaced. Disposal to be as manufacturer's instructions.
- DAL track luminaire must only be used on DAL track system or equivalent for which they are designed.

Installation and Supply

- Unless specified otherwise, all products are IP20. DO NOT operate in damp or corrosive situations.
- Disconnect from mains supply before installation, maintenance or replacing fuse or lamp. Care must be taken when drilling holes near existing installation wiring, to avoid electric shock.
- Metal enclosed, Class II and Class III products must not be mounted in contact with or close to Earthed metal work, e.g. structural system of suspended ceilings.
- S.E.L.V. - To be used with Double Insulated. Extra Low Voltage, Safety Isolating Transformer or Driver only.
- When dimming is required, low voltage fittings should only be operated by a specifically rated dimmer.
- DAL accepts no responsibility for the effects of corrosive element in the installation/atmosphere.
- Any closure or ceiling void which prevents normal heat dissipation may cause reduced performance, overheating and risk of fire.

Maintenance

- Only lamps of correct type and rating should be used, and fully and correctly inserted into the lampholder. Manufacturers instructions should be complied with.
- Certain lamp types (Metal Halide / Tungsten Halogen) reach maximum temperature rapidly. Care must be taken when adjusting or relamping.
- Metal Halide Lamps - Replace failed lamps promptly to avoid ballast damage.
- Replace all cracked or damaged safety glass immediately.
- Regular and careful cleaning is required to ensure optimum performance and safety. Designed Architectural Lighting accepts no responsibility for the effect of solvents used when installing, servicing or re-decorating the surround, or for the accumulation of dust and dirt.

