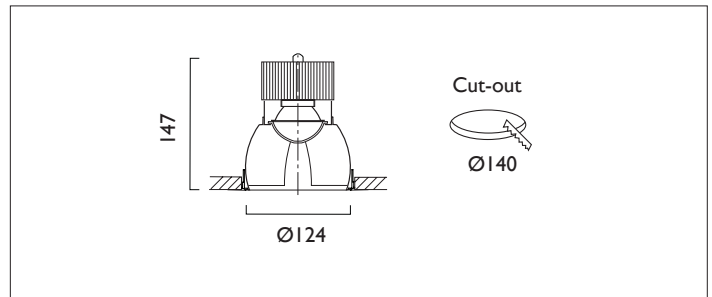


# TRIMLESS VP X124 DOUBLE WALLWASHER

TRIMLESS VP X124 with Xicato LED visual performance and comfort recessed double wallwasher with lens diffuser, deep cone and kick reflector finished in low glare, high reflectivity, diffused spectro silver. Overall diameter 124mm, cut out 140mm.



Product Number	C5708/*Engine
Lamp Type	Xicato LED, Up to 2000 lumens
Construction	Aluminium / Steel
IP	IP20
Control	Driver

\*Light Engine Specification  
Xicato XTM L80 50,000 Hours, Ra80

11A	---	1105 lm	9.3W	119 lm/w	350mA
14A	---	1490 lm	3.6W	110 lm/w	500mA
20A	---	2000 lm	19.5W	102 lm/w	700mA

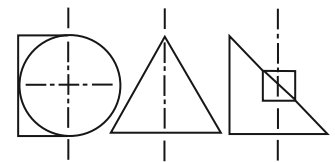
  

2700K	2	<ul style="list-style-type: none"> <li>0 No Emergency</li> <li>E Emergency</li> <li>0 Fixed Output</li> <li>1 I-10V</li> <li>3 DSI</li> <li>5 DALI</li> <li>7 Lead / Trailing</li> <li>9 Addressable</li> </ul>
3000K	3	
3500K	4	
4000K	5	



# Trimless VP X124

## Installation and Maintenance Procedure



PRODUCT NUMBER:- C51XX C55XX  
C53XX C57XX



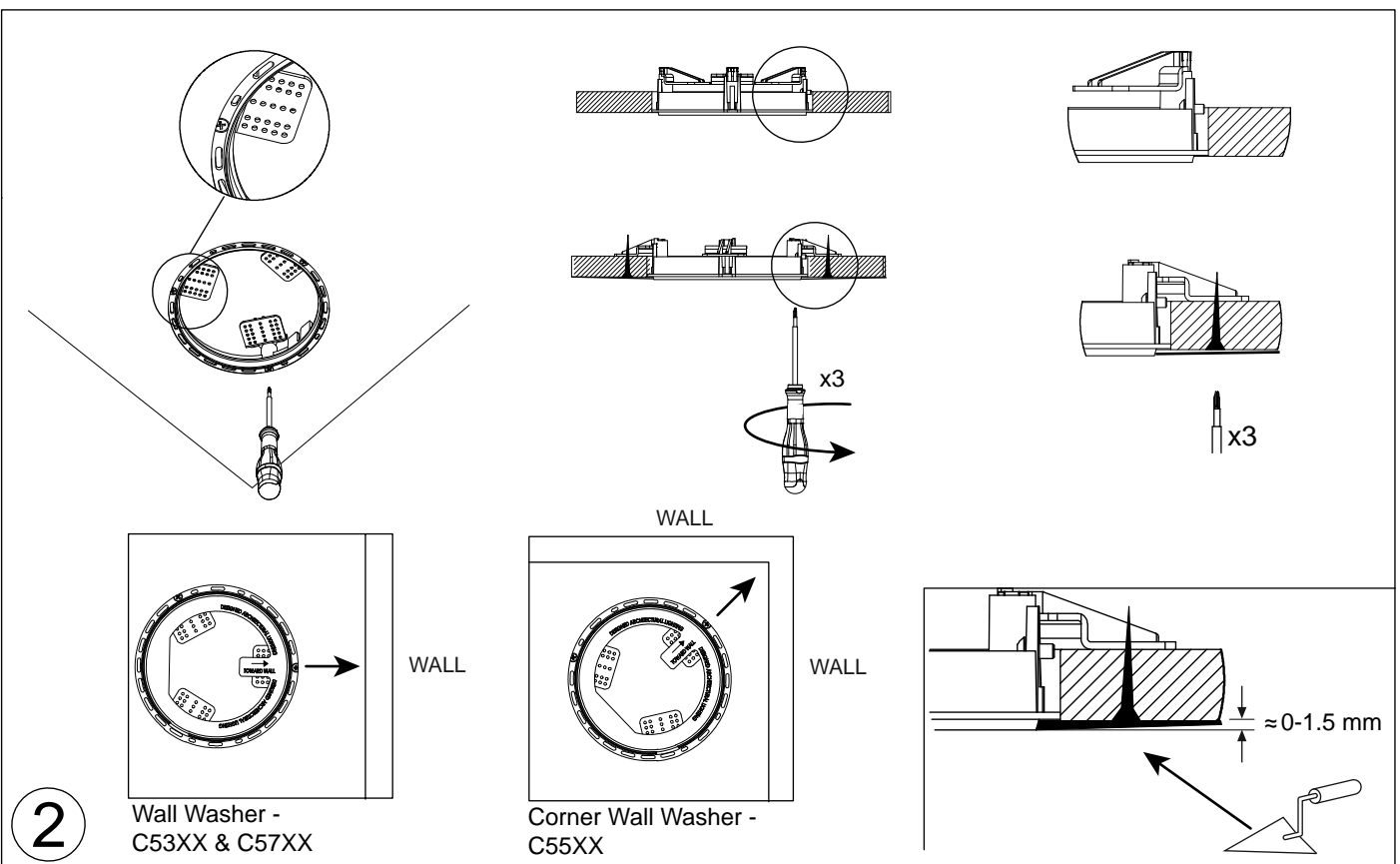
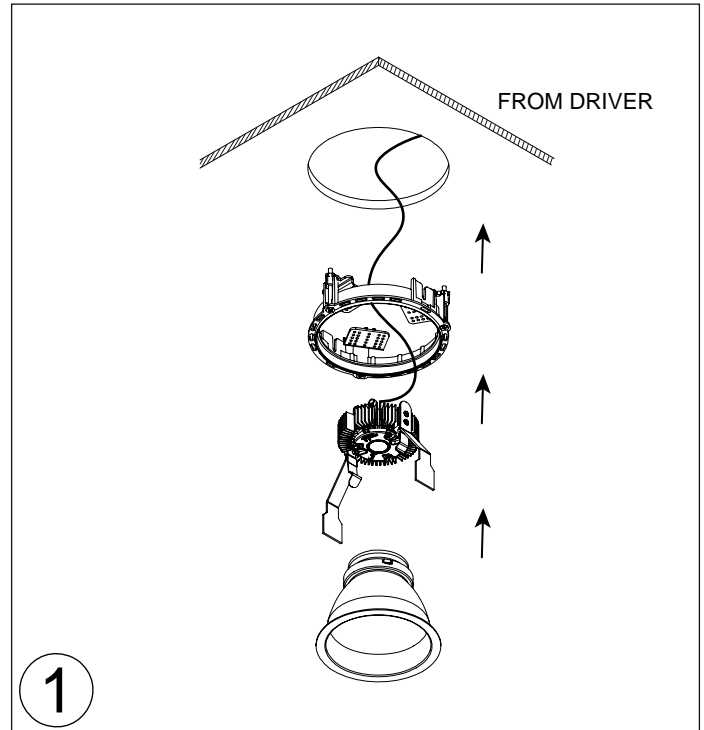
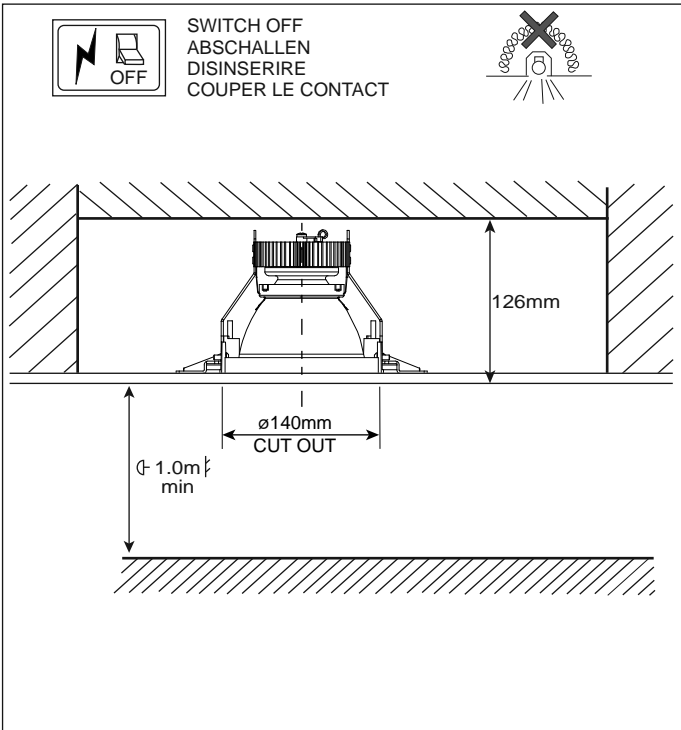
IP20 220-240V~ 50/60 HZ

Country of origin  
United Kingdom



ALL LED PRODUCTS REQUIRE THE USE OF  
A SUITABLE RATED DRIVER (SUPPLIED)

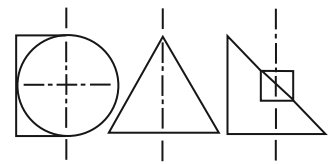
WEE/EA0290TY



- WARNING. SWITCH OFF MAINS BEFORE INSTALLING OR SERVICING
- REPLACE ANY CRACKED GLASS
- RETAIN PROCEDURE FOR FUTURE USE

# Trimless VP X124

## Installation and Maintenance Procedure



PRODUCT NUMBER:- C51XX C55XX  
C53XX C57XX



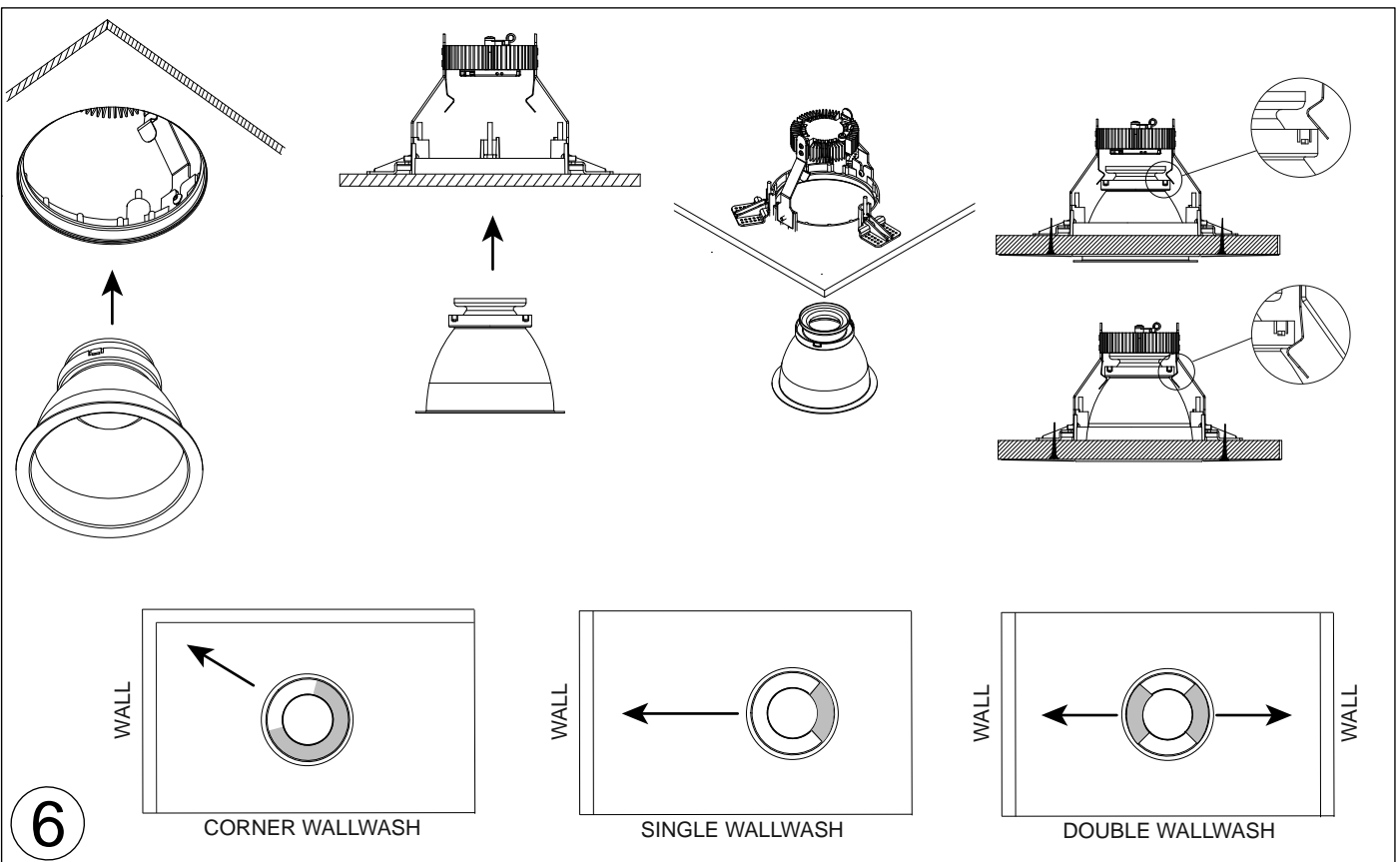
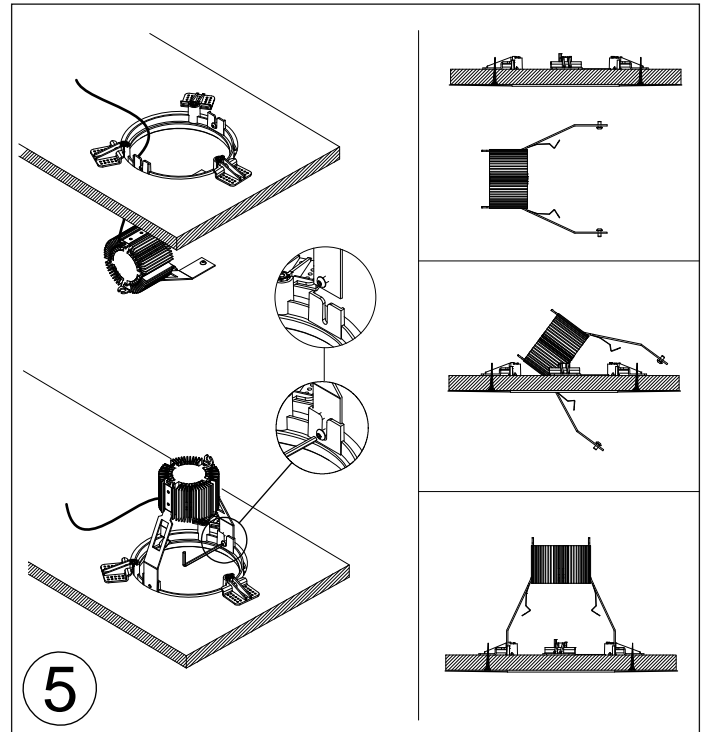
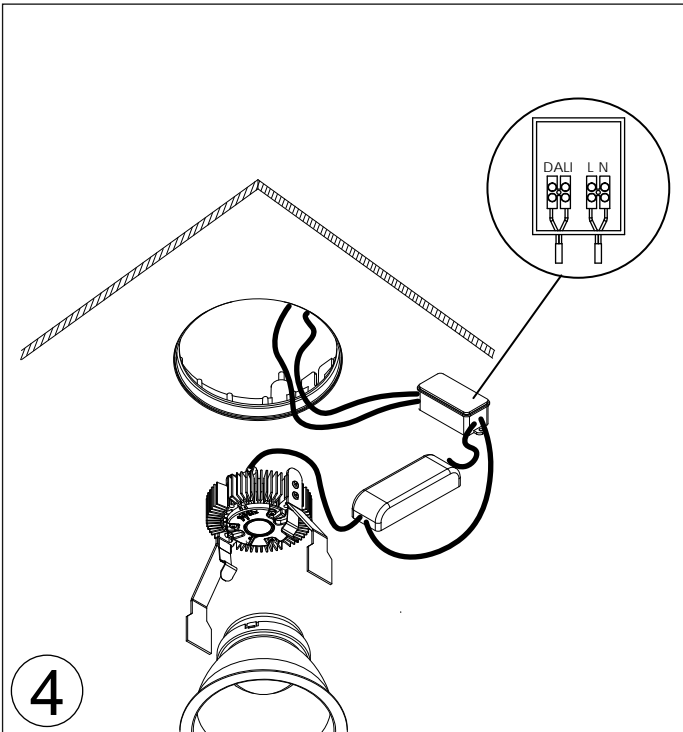
IP20 220-240V~50/60 HZ

Country of origin  
United Kingdom



ALL LED PRODUCTS REQUIRE THE USE OF  
A SUITABLE RATED DRIVER (SUPPLIED)

WEE/EA0290TY

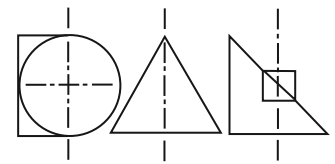


- WARNING. SWITCH OFF MAINS BEFORE INSTALLING OR SERVICING
- REPLACE ANY CRACKED GLASS
- RETAIN PROCEDURE FOR FUTURE USE

IL0001: R2-200716VC

DESIGNED ARCHITECTURAL LIGHTING CO LTD, 6 CONQUEROR COURT, SPILSBY ROAD, HAROLD HILL, ESSEX, RM3 8SB, TELEPHONE +44 (0) 1708 381999 FAX +44 (0) 1780 381585 E-MAIL sales@dal-uk.com

# General Installation and Maintenance Procedure for Designed Architectural Lighting Luminaires



## General Information

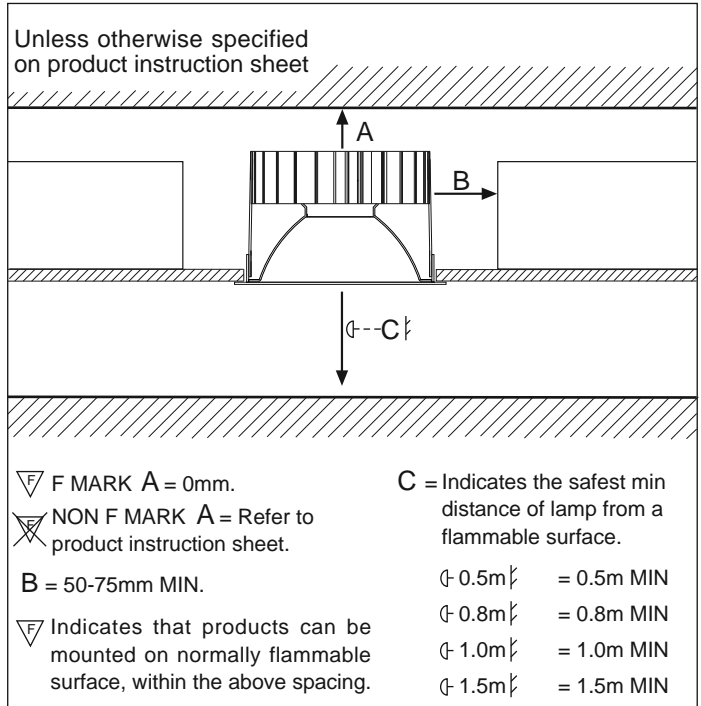
- Follow instruction sheet to ensure safe and reliable operation of product. Retain for future reference.
- The product should NOT be modified. Any modification will negate the safety mark/approvals, and may render the product unsafe.
- DAL accepts no responsibility for modified products. Modifications includes devices fitted between the lamp and lamp holder.
- All replacement component should be identical with those replaced. Disposal to be as manufacturer's instructions.
- DAL track luminaire must only be used on DAL track system or equivalent for which they are designed.

## Installation and Supply

- Unless specified otherwise, all products are IP20. DO NOT operate in damp or corrosive situations.
- Disconnect from mains supply before installation, maintenance or replacing fuse or lamp. Care must be taken when drilling holes near existing installation wiring, to avoid electric shock.
- Metal enclosed, Class II and Class III products must not be mounted in contact with or close to Earthed metal work, e.g. structural system of suspended ceilings.
- S.E.L.V. - To be used with Double Insulated. Extra Low Voltage, Safety Isolating Transformer or Driver only.
- When dimming is required, low voltage fittings should only be operated by a specifically rated dimmer.
- DAL accepts no responsibility for the effects of corrosive element in the installation/atmosphere.
- Any closure or ceiling void which prevents normal heat dissipation may cause reduced performance, overheating and risk of fire.

## Maintenance

- Only lamps of correct type and rating should be used, and fully and correctly inserted into the lampholder. Manufacturers instructions should be complied with.
- Certain lamp types (Metal Halide / Tungsten Halogen) reach maximum temperature rapidly. Care must be taken when adjusting or relamping.
- Metal Halide Lamps - Replace failed lamps promptly to avoid ballast damage.
- Replace all cracked or damaged safety glass immediately.
- Regular and careful cleaning is required to ensure optimum performance and safety. Designed Architectural Lighting accepts no responsibility for the effect of solvents used when installing, servicing or re-decorating the surround, or for the accumulation of dust and dirt.



<h3>CLASS I</h3> <p>THIS CLASS MUST BE EARTHED</p>	<h3>LEGEND</h3> <p>P/L - BROWN / L / COLOUR RED          N - BLUE / N / COLOUR BLACK          ⊕ - GREEN / YELLOW / EARTH E / ⊕ / COLOUR GREEN</p> <p>* TEMPERATURE RATING OF CABLE</p>
--	--

<h3>CLASS II <span style="border: 1px solid black; padding: 0 2px;"> </span></h3> <p>DOUBLE INSULATED</p> <p>DO NOT USE ⊕ TERMINAL</p>	<h3>LEGEND</h3> <p>P/L - BROWN / L / COLOUR RED          N - BLUE / N / COLOUR BLACK          ⊕ - GREEN / YELLOW / EARTH E / ⊕ / COLOUR GREEN</p> <p>* TEMPERATURE RATING OF CABLE</p>
--	--

<h3>CLASS III <span style="border: 1px solid black; padding: 0 2px;">III</span></h3> <p>LOW VOLTAGE</p> <p>DO NOT USE ⊕ TERMINAL</p>	<h3>LEGEND</h3> <p>P/L - BROWN / L / COLOUR RED          N - BLUE / N / COLOUR BLACK          ⊕ - GREEN / YELLOW / EARTH E / ⊕ / COLOUR GREEN          V - 6V / 12V / 24V / 48V AS INDICATED</p> <p>* TEMPERATURE RATING OF CABLE</p>
--	---