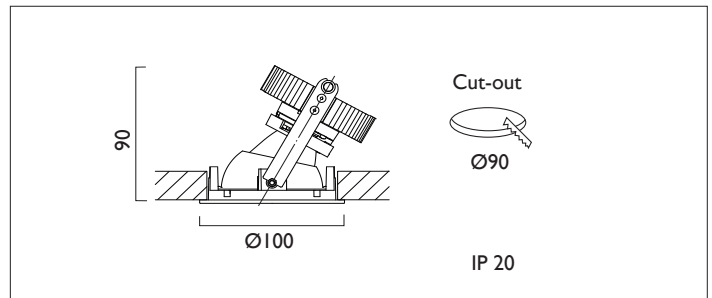
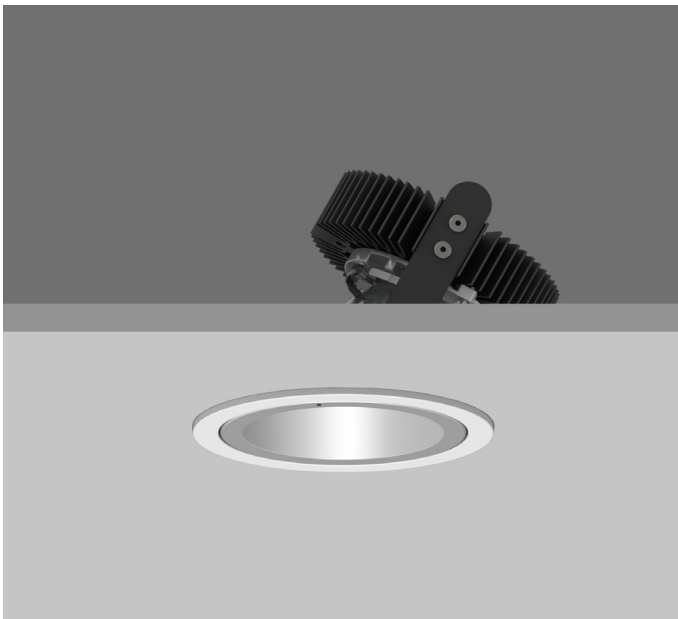




AMBIANCE X100 DIRECTIONAL

AMBIANCE X100 with Xicato LED recessed directional downlighter with deep cone reflector finished in satin silver, and white ceiling trim. Adjustable 0-30° tilt. Lockable. Overall diameter 100mm, cut out 90mm.

For lumen output/power, colour temperature and protocols an appropriate Light Engine should also be specified.



Product Number	C0522/*Light Engine
Lamp Type	Xicato LED, Up to 1300 lumens
Reflector	Satin Silver
Beam Angle	20°
Construction	Aluminium / Steel / Glass
Ceiling Trim	White RAL 9010
IP	IP20
Control	Driver

Please Note: For lumen output/power, colour temperature and protocols and appropriate Light Engine should also be specified.

*Light Engine Specification

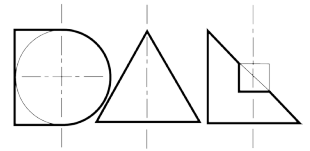
Xicato 9mm XTM 50,000 hours >Ra80

07A	---	720 lm	7.4W	97 lm/w	350mA
09A	---	965 lm	10.9W	89 lm/w	500mA
13A	---	1300 lm	15.6W	83 lm/w	700mA

2700K	2	<ul style="list-style-type: none"> 0 No Emergency E Maintained Emergency
3000K	3	
3500K	4	
4000K	5	

EN 60598-1
WEE/AE0290TY

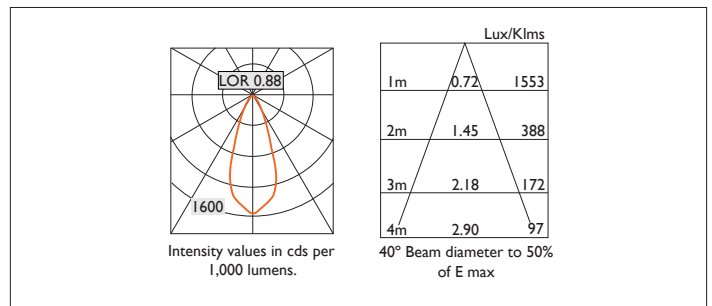
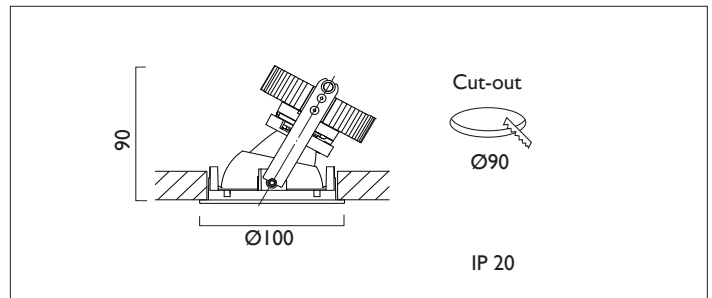
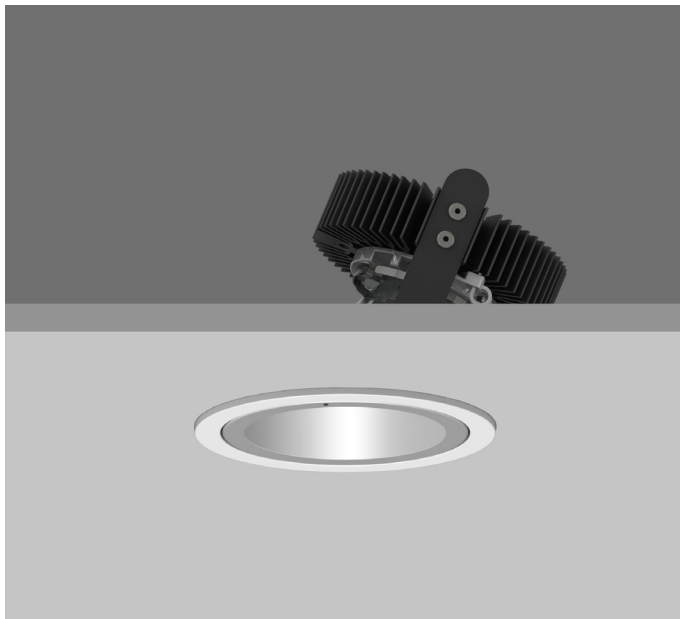




AMBIANCE X100 DIRECTIONAL

AMBIANCE X100 with Xicato LED recessed directional downlighter with deep cone reflector finished in satin silver, and white ceiling trim. Adjustable 0-30° tilt. Lockable. Overall diameter 100mm, cut out 90mm.

For lumen output/power, colour temperature and protocols an appropriate Light Engine should also be specified.



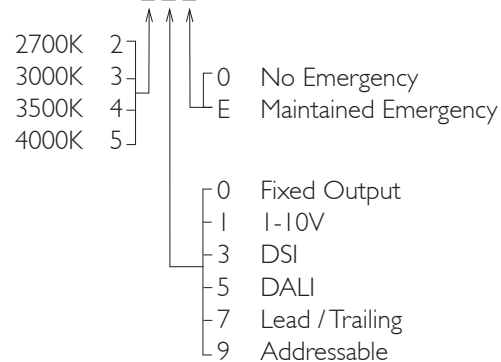
Product Number	C0542/*Light Engine
Lamp Type	Xicato LED, Up to 2000 lumens
Reflector	Satin Silver
Beam Angle	40°
Construction	Aluminium / Steel
Ceiling Trim	White RAL 9010
IP	IP20
Control	Driver

Please Note: For lumen output/power, colour temperature and protocols and appropriate Light Engine should also be specified.

*Light Engine Specification

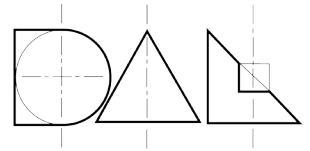
Xicato XTM L80 50,000 hours >Ra80

07A	720 lm	4.5W	160 lm/w	350mA
09A	965 lm	6.6W	146 lm/w	500mA
13A	1300 lm	9.5W	137 lm/w	700mA
14A	1490 lm	10.6W	141 lm/w	500mA
20A	2000 lm	15.2W	131 lm/w	700mA



EN 60598-1
WEE/AE0290TY

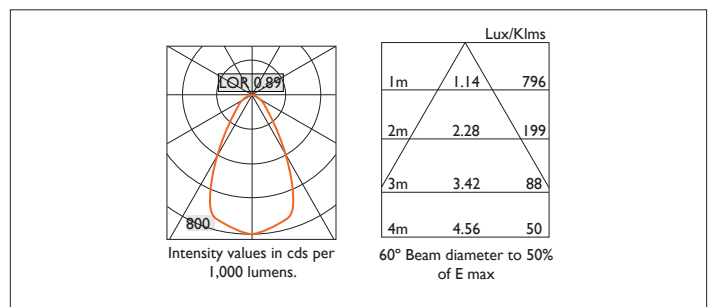
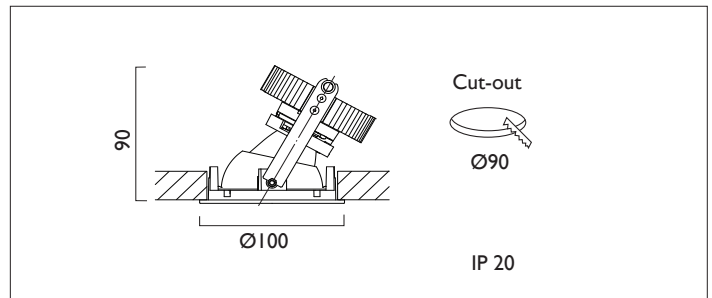
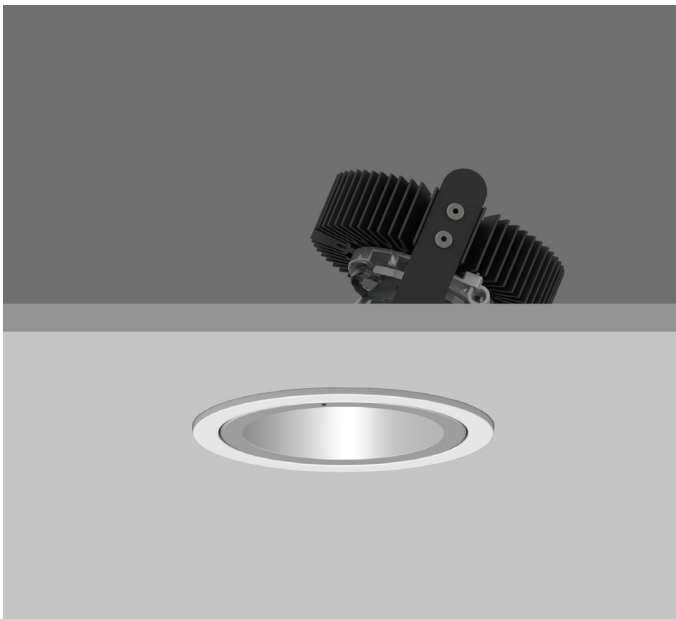




AMBIANCE X100 DIRECTIONAL

AMBIANCE X100 with Xicato LED recessed directional downlighter with deep cone reflector finished in satin silver, and white ceiling trim. Adjustable 0-30° tilt. Lockable. Overall diameter 100mm, cut out 90mm.

For lumen output/power, colour temperature and protocols an appropriate Light Engine should also be specified.



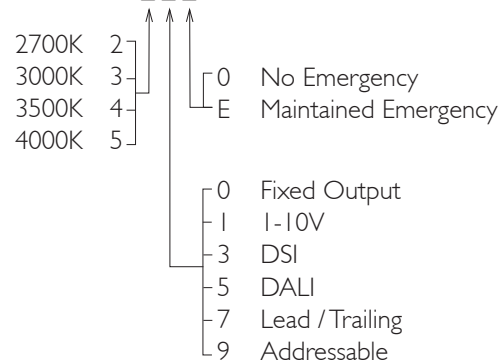
Product Number	C0562/*Light Engine
Lamp Type	Xicato LED, Up to 2000 lumens
Reflector	Satin Silver
Beam Angle	60°
Construction	Aluminium / Steel
Ceiling Trim	White RAL 9010
IP	IP20
Control	Driver

Please Note: For lumen output/power, colour temperature and protocols and appropriate Light Engine should also be specified.

*Light Engine Specification

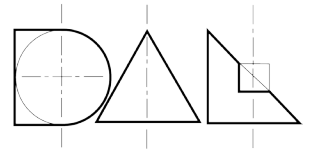
Xicato XTM L80 50,000 hours >Ra80

07A	720 lm	4.5W	160 lm/w	350mA
09A	965 lm	6.6W	146 lm/w	500mA
13A	1300 lm	9.5W	137 lm/w	700mA
14A	1490 lm	10.6W	141 lm/w	500mA
20A	2000 lm	15.2W	131 lm/w	700mA



EN 60598-1
WEE/AE0290TY

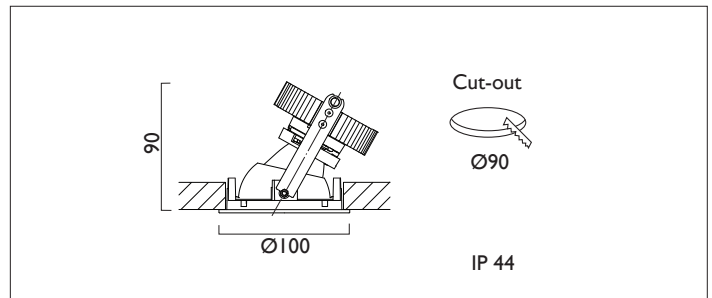
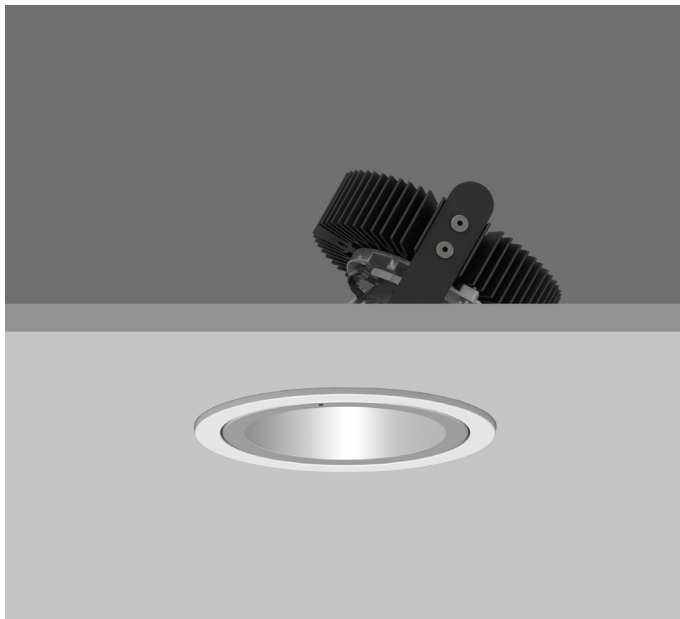




AMBIANCE X100 DIRECTIONAL IP44

AMBIANCE X100 with Xicato LED recessed directional downlighter with deep cone reflector finished in satin silver; with clear glass cover and white ceiling trim. Adjustable 0-30° tilt. Lockable. Overall diameter 100mm, cut out 90mm.

For lumen output/power, colour temperature and protocols an appropriate Light Engine should also be specified.



Product Number	C0622/*Light Engine
Lamp Type	Xicato LED, Up to 1300 lumens
Reflector	Satin Silver
Beam Angle	20°
Construction	Aluminium / Steel / Glass
Ceiling Trim	White RAL 9010
IP	IP44
Control	Driver

Please Note: For lumen output/power, colour temperature and protocols and appropriate Light Engine should also be specified.

*Light Engine Specification

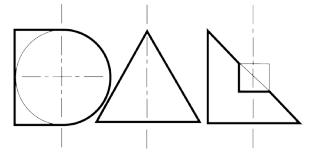
Xicato 9mm XTM 50,000 hours >Ra80

07A	---	720 lm	7.4W	97 lm/w	350mA
09A	---	965 lm	10.9W	89 lm/w	500mA
13A	---	1300 lm	15.6W	83 lm/w	700mA

2700K	2	<ul style="list-style-type: none"> 0 No Emergency E Maintained Emergency
3000K	3	
3500K	4	
4000K	5	

EN 60598-1
WEE/AE0290TY

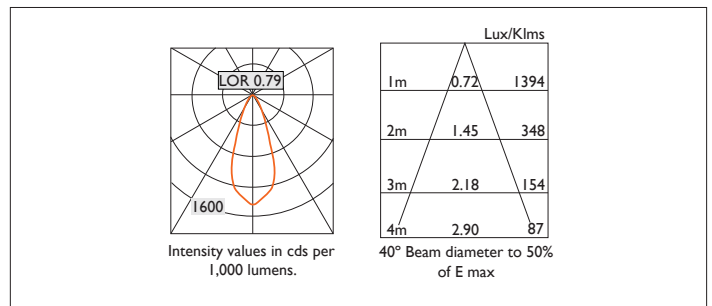
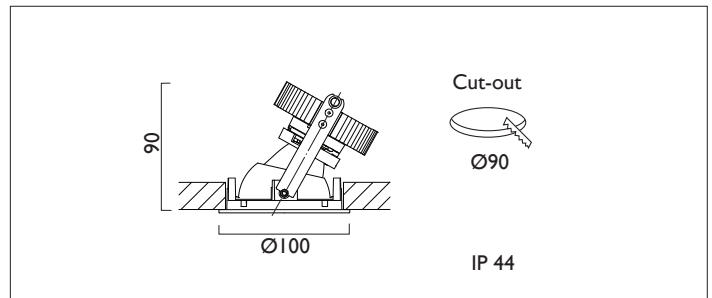
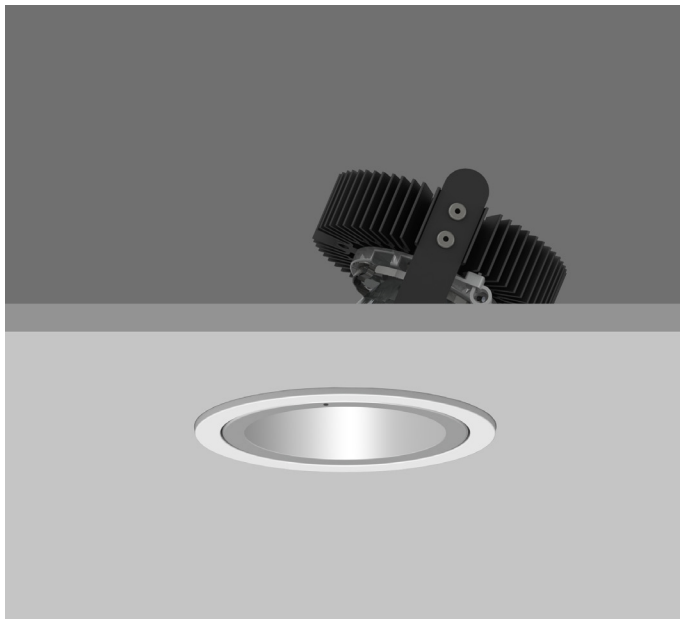




AMBIANCE X100 DIRECTIONAL IP44

AMBIANCE X100 with Xicato LED recessed directional downlighter with deep cone reflector finished in satin silver, with clear cover glass and white ceiling trim. Adjustable 0-30° tilt. Lockable. Overall diameter 100mm, cut out 90mm.

For lumen output/power, colour temperature and protocols an appropriate Light Engine should also be specified.



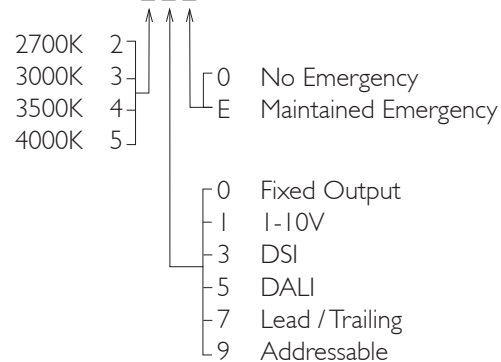
Product Number	C0642/*Light Engine
Lamp Type	Xicato LED, Up to 2000 lumens
Reflector	Satin Silver
Beam Angle	40°
Construction	Aluminium / Steel / Glass
Ceiling Trim	White RAL 9010
IP	IP44
Control	Driver

Please Note: For lumen output/power, colour temperature and protocols and appropriate Light Engine should also be specified.

*Light Engine Specification

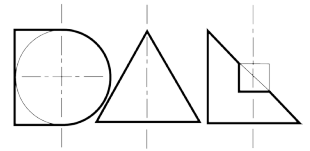
Xicato XTM L80 50,000 hours >Ra80

07A	720 lm	4.5W	160 lm/w	350mA
09A	965 lm	6.6W	146 lm/w	500mA
13A	1300 lm	9.5W	137 lm/w	700mA
14A	1490 lm	10.6W	141 lm/w	500mA
20A	2000 lm	15.2W	131 lm/w	700mA



EN 60598-1
WEE/AE0290TY

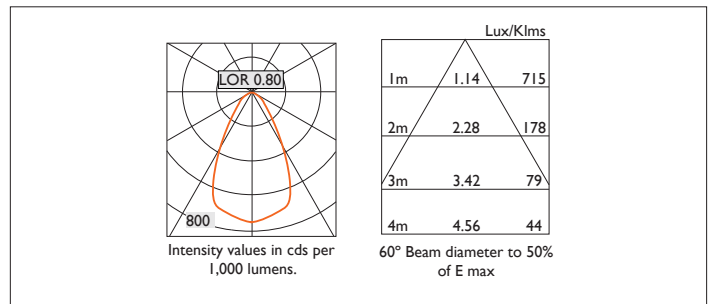
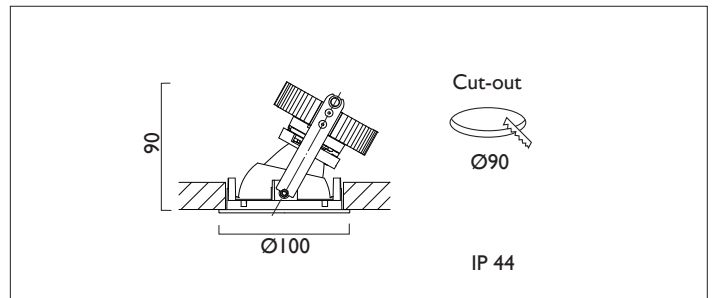
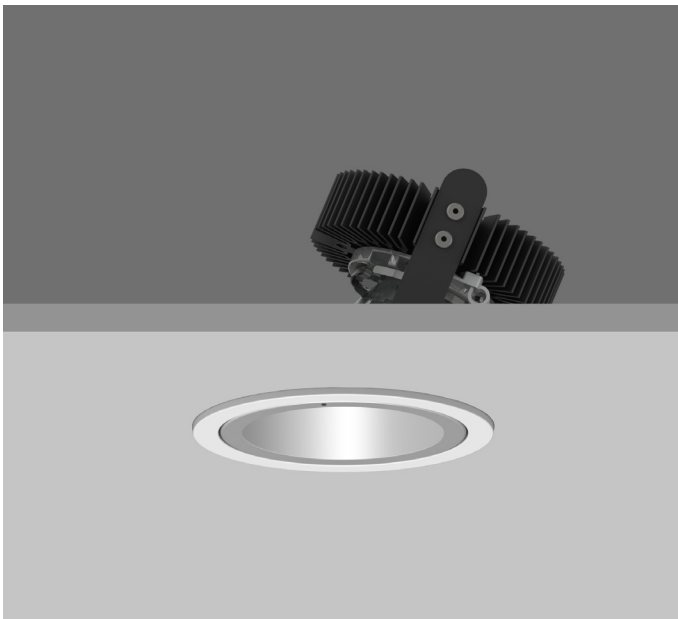




AMBIANCE X100 DIRECTIONAL IP44

AMBIANCE X100 with Xicato LED recessed directional downlighter with deep cone reflector finished in satin silver, with clear glass cover and white ceiling trim. Adjustable 0-30° tilt. Lockable. Overall diameter 100mm, cut out 90mm.

For lumen output/power, colour temperature and protocols an appropriate Light Engine should also be specified.



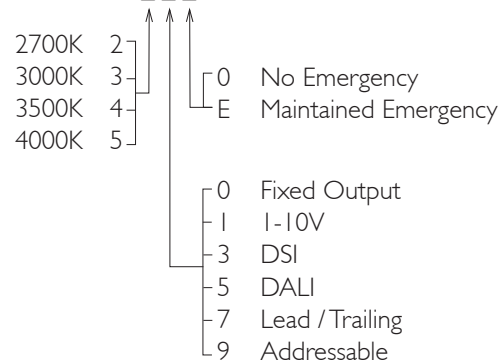
Product Number	C0662/*Light Engine
Lamp Type	Xicato LED, Up to 2000 lumens
Reflector	Satin Silver
Beam Angle	60°
Construction	Aluminium / Steel / Glass
Ceiling Trim	White RAL 9010
IP	IP44
Control	Driver

Please Note: For lumen output/power, colour temperature and protocols and appropriate Light Engine should also be specified.

*Light Engine Specification

Xicato XTM L80 50,000 hours >Ra80

07A	720 lm	4.5W	160 lm/w	350mA
09A	965 lm	6.6W	146 lm/w	500mA
13A	1300 lm	9.5W	137 lm/w	700mA
14A	1490 lm	10.6W	141 lm/w	500mA
20A	2000 lm	15.2W	131 lm/w	700mA



EN 60598-1
WEE/AE0290TY

