



Category Interior use only IP20

Material Machined Aluminium

Finish Brushed Aluminium | Black | White | Custom

System Monopoint | LV tracks

Lockable Pan & Tilt

System Power 1.9W

Module Output 140lm

Absolute Output 125lm

LOR 89%

Colour Temperature 3000K | 2700K | *

CRI Ra: 95 **TM-30** Rf: 93 Rg: 99

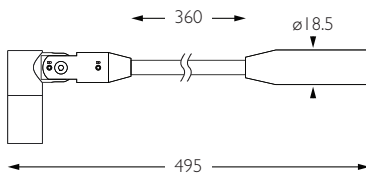
Optics 12°

Gear Type Dimmable options available

Weight 101g

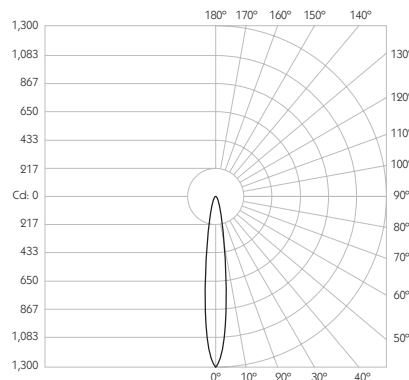
Stem Length 360mm | Custom available upon request

* Please enquire as to the availability of non-standard Colour Temperatures.

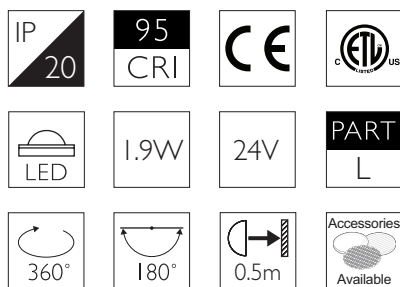


Pico S1 Long Snoot is a discreet, low glare 95CRI LED spotlight, mounted to a 360mm stem. The spotlight comes as standard in white, black and brushed aluminium finishes, and has three site changeable optics for flexible distribution. Movement is aided with a low friction bearing rotation and constant torque tilt mechanism, lockable in both pan and tilt. The Precision Lighting Jack Plug system enables the luminaire to be easily disconnected and reconnected to all of Precision Lighting's systems, offering flexibility throughout the product's lifetime. The onboard 24V driver ensures overcurrent protection and is not polarity sensitive. Pico S1 is machined from aerospace grade 6063-T6 aluminium, delivering a lumen package of 125lm at 1.9W.

Product Photometry independently tested in accordance with LM-79



| Distance (m) | Beam Diameter (m) | Illuminance (lx) |
|--------------|-------------------|------------------|
| 1m | 0.21m | 1,920 lx |
| 2m | 0.42m | 305 lx |
| 3m | 0.63m | 136 lx |
| 4m | 0.84m | 76 lx |
| 5m | 1.05m | 49 lx |

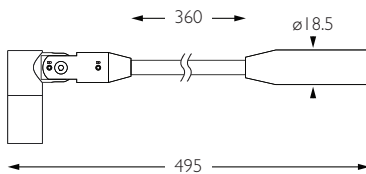


| Mounting System | Part Number | Part Number | Part Number | Part Number | Part Number | Part Number | Part Number | Part Number |
|--------------------|------------------|------------------|-------------------|-------------------|-------------------|-------------------|-------------|-------------|
| Cable | BT-732-AL-XX9512 | RT-732-AL-XX9512 | MPS-732-AL-XX9512 | MPX-732-AL-XX9512 | MPY-732-AL-XX9512 | MPZ-732-AL-XX9512 | | |
| Basis Track | | | | | | | | |
| ReTrac | | | | | | | | |
| Eutrac | | | | | | | | |
| Trimless Monopoint | | | | | | | | |
| Power Monopoint | | | | | | | | |
| Flat Monopoint | | | | | | | | |
| Node Monopoint | | | | | | | | |
| Surface Monopoint | | | | | | | | |
| Finish | | | | | | | | |
| Brushed Aluminium | | | | | | | | |
| Black | | | | | | | | |
| White | | | | | | | | |

For 3000K Substitute XX with 30 | For 2700K Substitute XX with 27

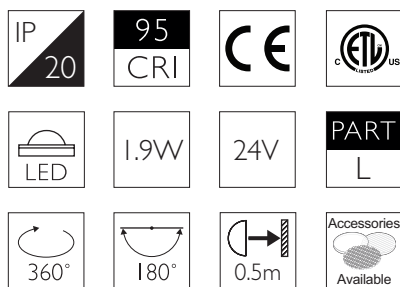
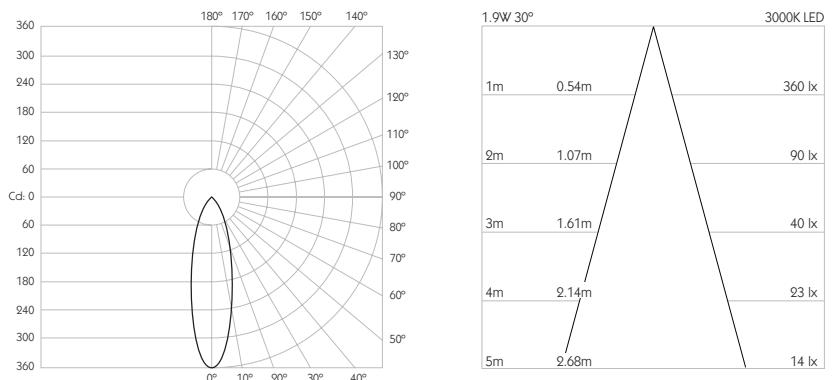


Category Interior use only IP20
Material Machined Aluminium
Finish Brushed Aluminium | Black | White | Custom
System Monopoint | LV tracks
Lockable Pan & Tilt
System Power 1.9W
Module Output 140lm
Absolute Output 114lm
LOR 81%
Colour Temperature 3000K | 2700K | *
CRI Ra: 95 **TM-30** Rf: 93 Rg: 99
Optics 30°
Gear Type Dimmable options available
Weight 101g
Stem Length 360mm | Custom available upon request



Pico S1 Long Snoot is a discreet, low glare 95CRI LED spotlight, mounted to a 360mm stem. The spotlight comes as standard in white, black and brushed aluminium finishes, and has three site changeable optics for flexible distribution. Movement is aided with a low friction bearing rotation and constant torque tilt mechanism, lockable in both pan and tilt. The Precision Lighting Jack Plug system enables the luminaire to be easily disconnected and reconnected to all of Precision Lighting's systems, offering flexibility throughout the product's lifetime. The onboard 24V driver ensures overcurrent protection and is not polarity sensitive. Pico S1 is machined from aerospace grade 6063-T6 aluminium, delivering a lumen package of 125lm at 1.9W.

Product Photometry independently tested in accordance with LM-79

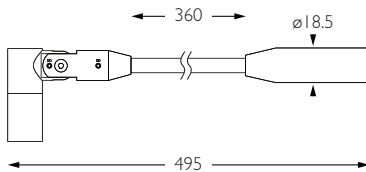


| Accessories | Cable | Basis Track | ReTrac | Eutrac | Trimless Monopoint | Power Monopoint | Flat Monopoint | Node Monopoint | Surface Monopoint |
|-------------|-------|------------------|------------------|--------|--------------------|-----------------|-------------------|-------------------|-------------------|
| Available | | BT-732-AL-XX9530 | RT-732-AL-XX9530 | | MPS-732-AL-XX9530 | | MPX-732-AL-XX9530 | MPY-732-AL-XX9530 | MPZ-732-AL-XX9530 |
| | | | RT-732-BK-XX9530 | | MPS-732-BK-XX9530 | | MPX-732-BK-XX9530 | MPY-732-BK-XX9530 | MPZ-732-BK-XX9530 |
| | | | RT-732-WH-XX9530 | | MPS-732-WH-XX9530 | | MPX-732-WH-XX9530 | MPY-732-WH-XX9530 | MPZ-732-WH-XX9530 |

For 3000K Substitute XX with 30 | For 2700K Substitute XX with 27

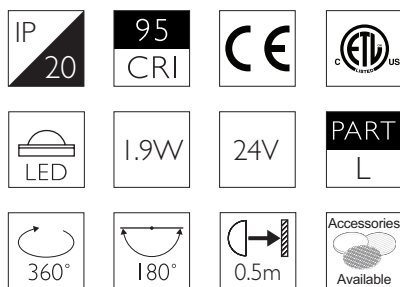
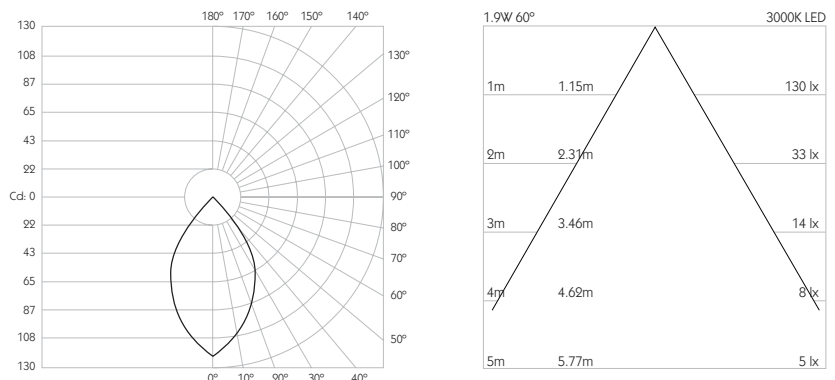


Category Interior use only IP20
Material Machined Aluminium
Finish Brushed Aluminium | Black | White | Custom
System Monopoint | LV tracks
Lockable Pan & Tilt
System Power 1.9W
Module Output 140lm
Absolute Output 125lm
LOR 89%
Colour Temperature 3000K | 2700K | *
CRI Ra: 95 **TM-30** Rf: 93 Rg: 99
Optics 60°
Gear Type Dimmable options available
Weight 101g
Stem Length 360mm | Custom available upon request



Pico S1 Long Snoot is a discreet, low glare 95CRI LED spotlight, mounted to a 360mm stem. The spotlight comes as standard in white, black and brushed aluminium finishes, and has three site changeable optics for flexible distribution. Movement is aided with a low friction bearing rotation and constant torque tilt mechanism, lockable in both pan and tilt. The Precision Lighting Jack Plug system enables the luminaire to be easily disconnected and reconnected to all of Precision Lighting's systems, offering flexibility throughout the product's lifetime. The onboard 24V driver ensures overcurrent protection and is not polarity sensitive. Pico S1 is machined from aerospace grade 6063-T6 aluminium, delivering a lumen package of 125lm at 1.9W.

Product Photometry independently tested in accordance with LM-79



| Accessories | Cable | Basis Track | ReTrac | Eutrac | Trimless Monopoint | Power Monopoint | Flat Monopoint | Node Monopoint | Surface Monopoint |
|-------------|-------|------------------|------------------|--------|--------------------|-----------------|-------------------|-------------------|-------------------|
| Available | | | | | | | | | |
| | | BT-732-AL-XX9560 | RT-732-AL-XX9560 | | MPS-732-AL-XX9560 | | MPX-732-AL-XX9560 | MPY-732-AL-XX9560 | MPZ-732-AL-XX9560 |
| | | | RT-732-BK-XX9560 | | MPS-732-BK-XX9560 | | MPX-732-BK-XX9560 | MPY-732-BK-XX9560 | MPZ-732-BK-XX9560 |
| | | | RT-732-WH-XX9560 | | MPS-732-WH-XX9560 | | MPX-732-WH-XX9560 | MPY-732-WH-XX9560 | MPZ-732-WH-XX9560 |

For 3000K Substitute XX with 30 | For 2700K Substitute XX with 27