



SEN Louvre CV 035

Specification sheet



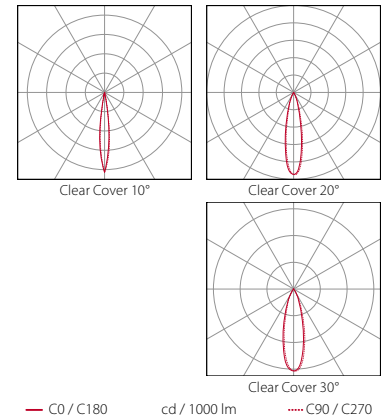
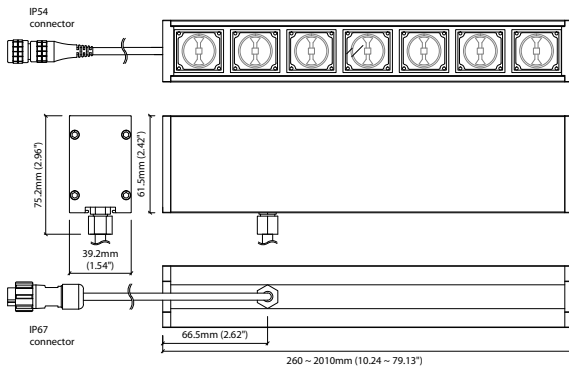
Dimension	H61.5/W39.2/L260-2010mm (H2.42/W1.54/L10.24-79.13in) 1260mm (49.60in) max for UL
PCB increment	250mm (9.84in)
LED pitch	35mm - 28LED/m (1.38in - 9LED/ft)
Chip	h-line Lumileds
Beam angle	10°/20°/30°
Colours	h-line White: 2700K/3000K/3500K/4000K/5000K (90CRI for 2700K/3000K)
Bin/Step	h-line 3 Step MacAdam Ellipse 4 Step MacAdam Ellipse(5000K)
CRI	≥ 90 (2700K/3000K) ≥ 80 (3500K/4000K/5000K)
Lifetime	50,000 hours @ 25°C (50,000 hours @ 77°F)
Operating temp	T _a = -25 to 50°C (T _c max = 90°C) T _a = -13 to 122°F (T _c max = 194°F)
IP rating	IP54/67
Finish	Silver anodised
Cover/lens	Clear
Mounting	Surface mounting via brackets
Connection	Sheathed hardwire tails or male/female connectors
Control	1-10V/DMX/DALI



PERFORMANCE DATA @ 3000K

Power consumption	Supply voltage	Supply current
67.2 W/m (20.48 W/ft)	24V DC	2.8 A/m (0.85 A/ft)

	Clear Cover 10°	Clear Cover 20°	Clear Cover 30°	CRI	R9
h-line	2830lm/m (865lm/ft) 42.1lm/W	2770lm/m (845lm/ft) 41.2lm/W	2760lm/m (840lm/ft) 41.0lm/W	93	77



Data derived from independent UKAS / IESNA LM-79-08 accredited testing of production samples.