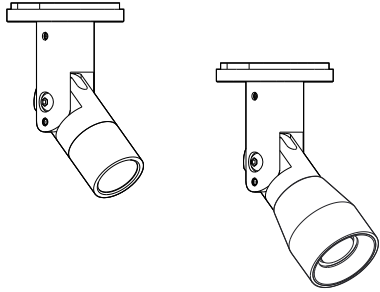


PRECISION LIGHTING

instruction manual

pico 1 surface

pico zoom surface



for constant current driver only



Mains supply to driver must be OFF before connecting or disconnecting the fittings.

1. Mechanical Installation.

- Unscrew canopy anti-clockwise to remove.
- If no rear access is available, secure in place using screws provided, running cables out the side of the monopoint.
- If rear access is available, secure in place using screws provided.
- Replace canopy by screwing clockwise to secure.

2. Electrical Installation.

- Mains supply to the driver must be OFF before and during connection and disconnection the fittings.**
- Multiple fittings on one circuit must be connected in series.
- Do not use more than the stated number of fittings per driver

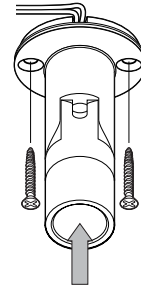
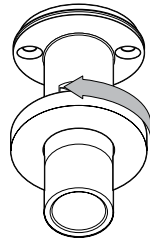
IMPORTANT SAFETY INFORMATION

READ ALL INSTRUCTIONS BEFORE USING THESE PRODUCTS. SAVE THESE INSTRUCTIONS FOR LATER REFERENCE.

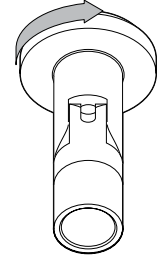
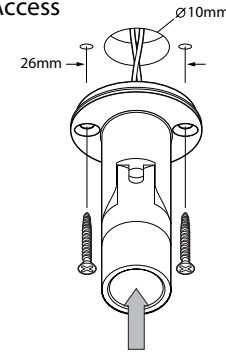
- Mains supply to driver must be OFF before connecting or disconnecting the fittings.
- All systems must be installed by a suitably qualified professional only. Installations must conform to national installation and accident prevention regulations.
- Do not install any fixture closer than 150mm from any combustible material. Do not install these systems in a damp or wet location.
- To reduce the risk of fire and burns, do not install these systems where exposed bare conductors can be shorted or contact any conductive materials. Do not conceal or extend exposed conductors through a building wall.
- Install only as described in this Precision Lighting manual. Appropriate fixings will need to be used depending on surface material at the installer's discretion.
- Luminaires may be hot, allow to cool before touching.
- All monopoints must be connected to an appropriate driver.
- Regular cleaning of these products is important. Switch off at mains supply and allow to cool before touching. Clean fittings with a soft damp cloth and allow to dry before reconnecting power supply.

1.

No Rear Access



Rear Access

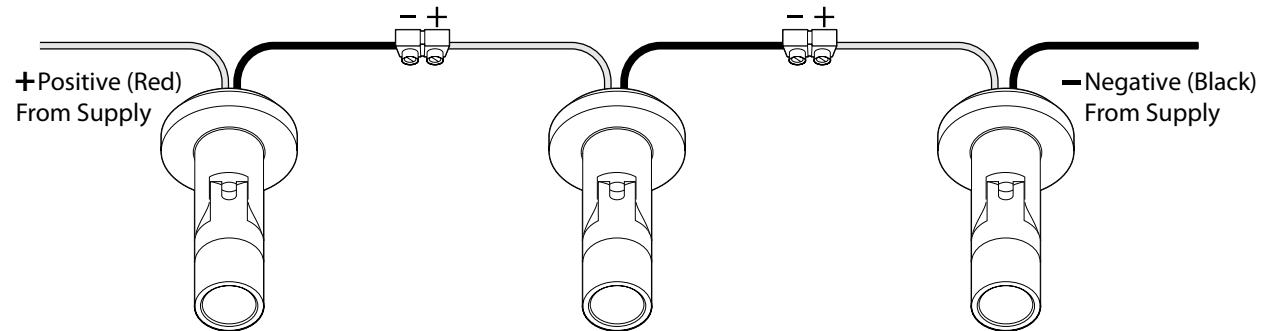


2.



Driver Usage
PSCC-06-500-A-TC
For: 1-2 MPN-701

PSCC-24-500-A-HA
For: 3-14 MPN-701



3. Locking the luminaire in Pan and Tilt.

NOTE only adjust luminaire position when unlocked.

- i. Adjust luminaire to desired position, using angle gauge if required.
- ii. Lock luminaire position using 2mm Allen key provided.

4. Snoot removal

- i. Unscrew cap anti-clockwise to remove.

5. Swapping of optic

NOTE skip this step if only swapping snoot.

- i. Remove the optic with a sharp pull. Do not twist the optic during removal.
- ii. Note the detail on the underside of the optic. The 2 side cavities on the optic must be placed over the solder pads of the PCB
- iii. Press the optic onto the PCB and hold for 10 seconds.

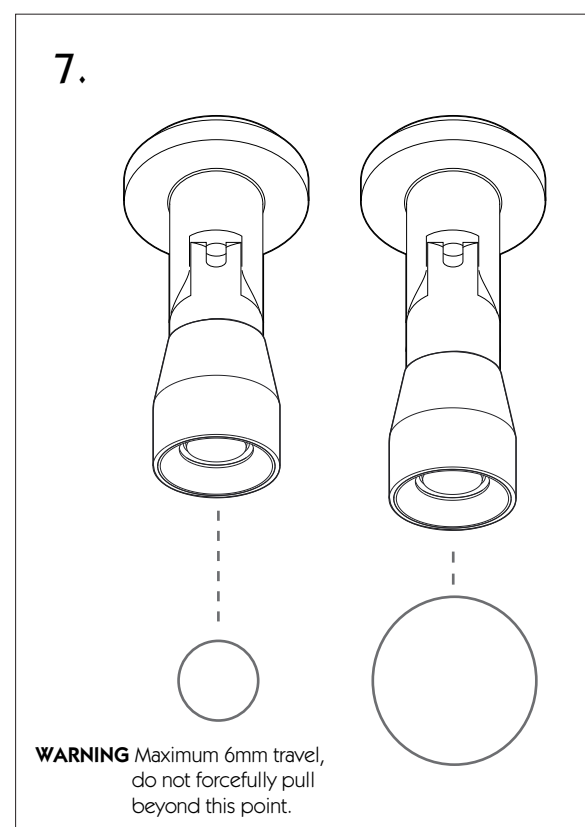
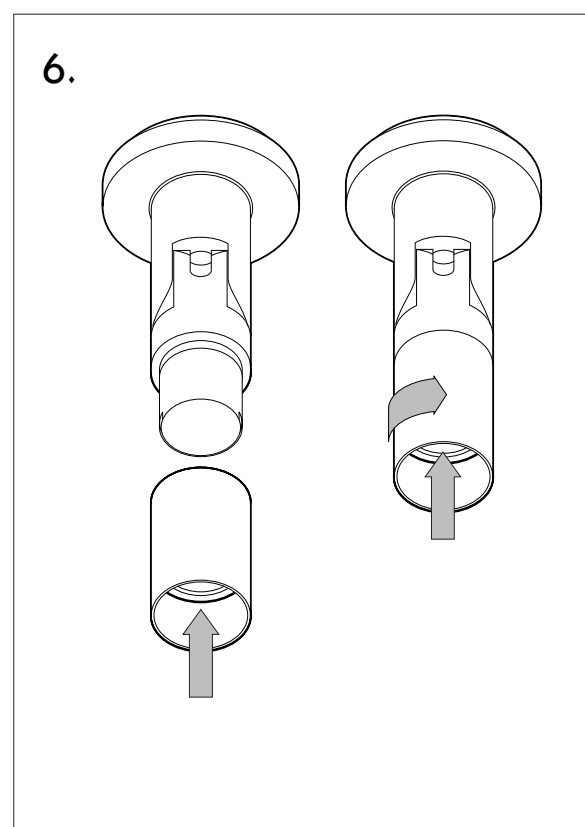
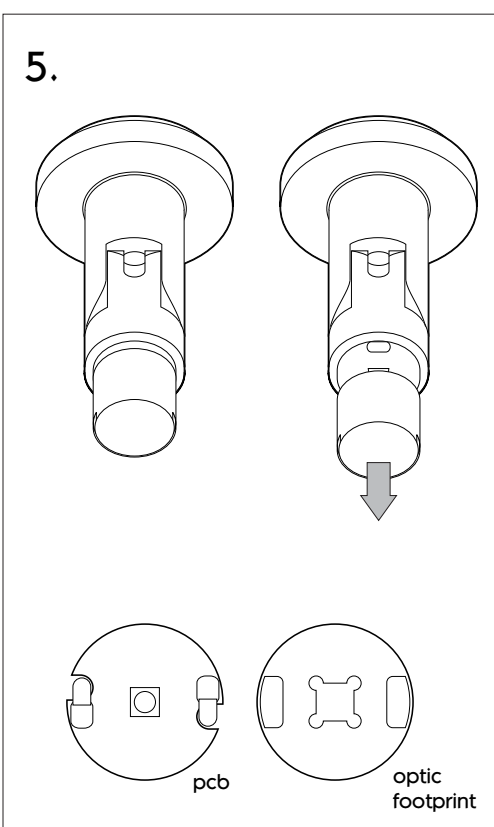
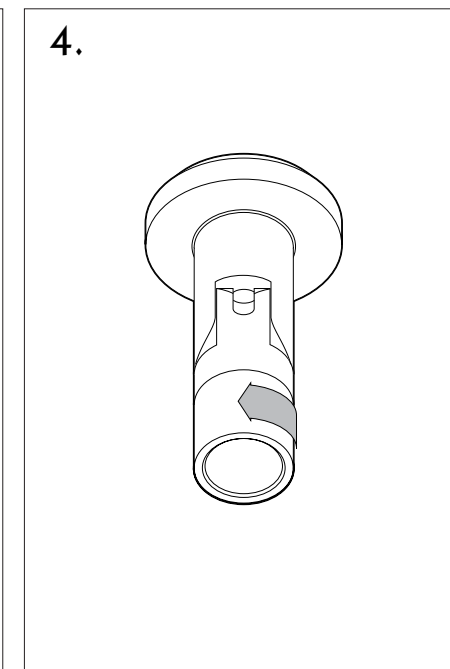
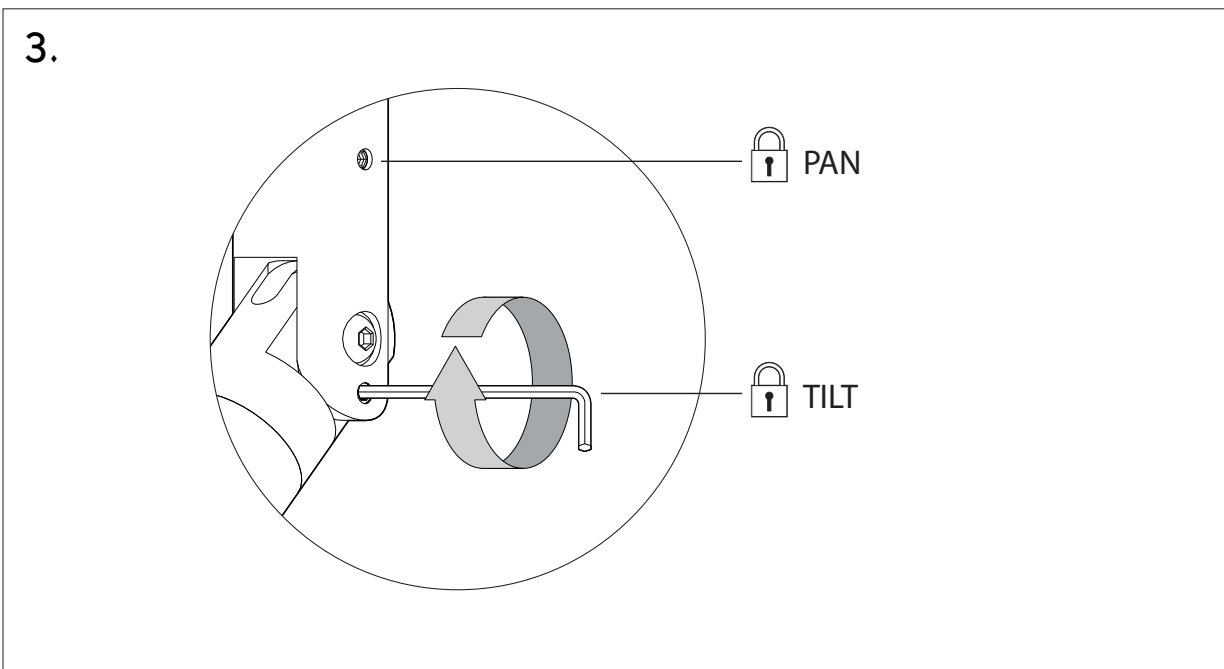
6. Attaching snoot

- i. Slide the new snoot over the optic.
- ii. Press the optic down whilst screwing the cap on clockwise.
- iii. Do not overtighten.

7. Adjusting the beam angle (zoom only)

- i. Gently pull the head of the fixture outwards in order to widen the beam.
- ii. Gently push the head back towards the fixture in order to make the beam narrower.

42 RIVERSIDE ROAD • LONDON • SW17 0BA • UK
t. +44 (0) 20 8947 6616 • sales@precisionlighting.co.uk
f. +44 (0) 20 8286 6626 • www.precisionlighting.co.uk



WARNING Maximum 6mm travel, do not forcefully pull beyond this point.