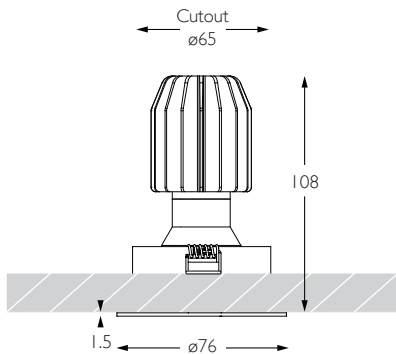


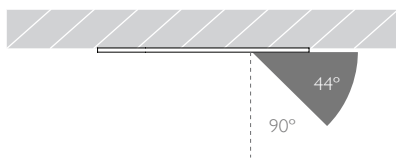
MINIMO 16 | IP54 ADJUSTABLE

Luminaires
spec sheet RCD-638

ULTRA NARROW SPOT | FLAT BEZEL | PINHOLE APERTURE

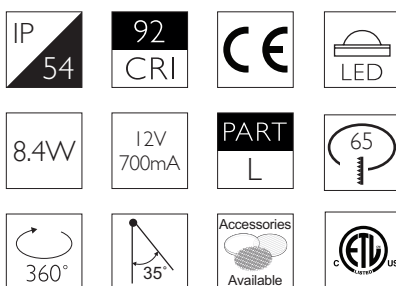


Glare Diagram



Cut Off: 44°

Glare Comfort Cut Off: 90°



Technical Description

Minimo 16 Adjustable is an IP54 recessed LED luminaire offering full adjustability with 360° pan and 35° tilt without breaking the ceiling line. Minimo 16 is perfect for use in colour-critical applications with 92CRI delivered from a single source LED module and available in two colour temperatures as standard. Tool-less, site changeable beam angles allow flexibility in varying environments. Machined from aerospace grade 6063-T6 aluminium, Minimo 16 Adjustable features a flat, discreet bezel and 33mm pinhole aperture for a minimal and extremely low glare solution. Minimo 16 Adjustable delivers a lumen package of 665lm at 8.4W.

Mechanical

Category Interior use only IP54
Material Machined Aluminium
Configuration Flat | Pinhole Aperture
Cutout ø65mm

Ceiling Thickness 3 - 25mm
Ceiling Void 20mm above module
Pan 360° **Tilt** 35°
Weight 262g

Finishes

Finishes Black | White *

* Please enquire as to the availability of non-standard Finishes

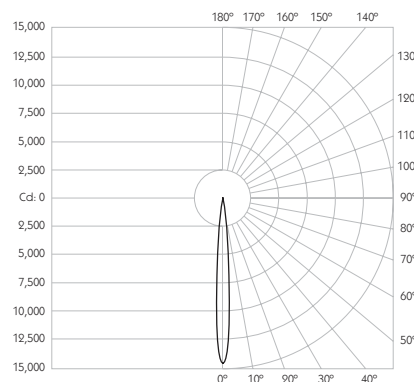
Optical

System Power 8.4W
Module Output 665lm**
Absolute Output 656lm**
LOR 99%
Glare Cut Off 44°
Glare Comfort Cut Off 90°

Colour Temperature 2700K | 3000K
CRI 92 Typ
TM-30 Rf: 90 Rg: 99
Beam Angle 9°
Gear Type Dimmable Options Available
Gear Location Remote

** Photometry shown is correct for 3000K module. Please enquire for 2700K module output.

Product Photometry independently tested in accordance with LM-79



Distance	Beam Diameter	Illuminance (lx)
1m	0.16m	14,533 lx
2m	0.31m	3,633 lx
3m	0.47m	1,615 lx
4m	0.63m	908 lx
5m	0.79m	581 lx

Luminaire Code

RCD-638

Finish

BK
WH

Black
White

CCT

27
30

2700K
3000K

CRI

92

92 CRI

Beam Angle

09

9° Ultra Narrow Spot

RCD-638

92

09

PRECISION
LIGHTING

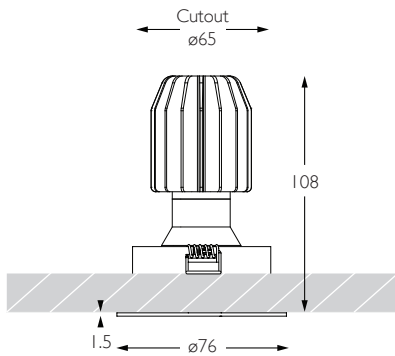
SALES@PRECISIONLIGHTING.CO.UK
WWW.PRECISIONLIGHTING.CO.UK

42 RIVERSIDE ROAD
LONDON SW17 0BA
t. +44 (0) 20 8947 6616
f. +44 (0) 20 8286 6626

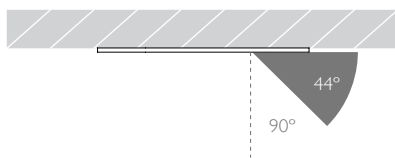
MINIMO 16 | IP54 ADJUSTABLE

Luminaires
spec sheet RCD-638

NARROW SPOT | FLAT BEZEL | PINHOLE APERTURE

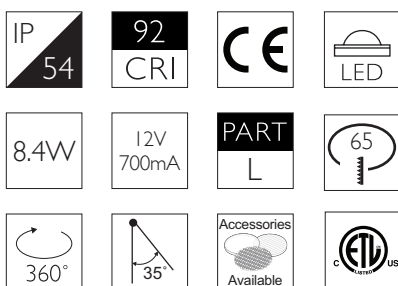


Glare Diagram



Cut Off: 44°

Glare Comfort Cut Off: 90°



Technical Description

Minimo 16 Adjustable is an IP54 recessed LED luminaire offering full adjustability with 360° pan and 35° tilt without breaking the ceiling line. Minimo 16 is perfect for use in colour-critical applications with 92CRI delivered from a single source LED module and available in two colour temperatures as standard. Tool-less, site changeable beam angles allow flexibility in varying environments. Machined from aerospace grade 6063-T6 aluminium, Minimo 16 Adjustable features a flat, discreet bezel and 33mm pinhole aperture for a minimal and extremely low glare solution. Minimo 16 Adjustable delivers a lumen package of 665lm at 8.4W.

Mechanical

Category Interior use only IP54
Material Machined Aluminium
Configuration Flat | Pinhole Aperture
Cutout ø65mm

Ceiling Thickness 3 - 25mm
Ceiling Void 20mm above module
Pan 360° **Tilt** 35°
Weight 262g

Finishes

Finishes Black | White *

* Please enquire as to the availability of non-standard Finishes

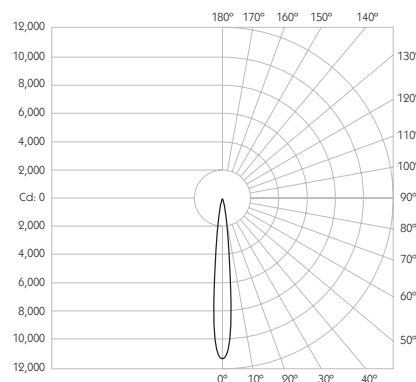
Optical

System Power 8.4W
Module Output 665lm**
Absolute Output 653lm**
LOR 98%
Glare Cut Off 44°
Glare Comfort Cut Off 90°

Colour Temperature 2700K | 3000K
CRI 92 Typ
TM-30 Rf: 90 Rg: 99
Beam Angle 11°
Gear Type Dimmable Options Available
Gear Location Remote

** Photometry shown is correct for 3000K module. Please enquire for 2700K module output.

Product Photometry independently tested in accordance with LM-79



Distance	Beam Diameter	Illuminance (lx)
1m	0.19m	11,164 lx
2m	0.39m	2,791 lx
3m	0.58m	1,240 lx
4m	0.77m	698 lx
5m	0.96m	447 lx

Luminaire Code

RCD-638

Finish

BK	Black
WH	White

CCT

27	2700K
30	3000K

CRI

92 92 CRI

Beam Angle

11 11° Narrow Spot

RCD-638

92

11

PRECISION
LIGHTING

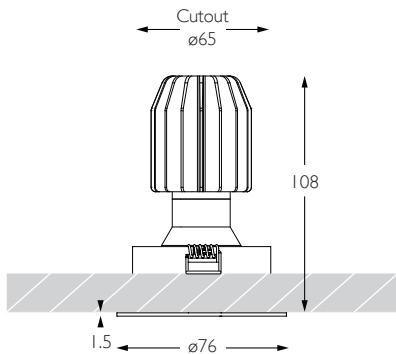
SALES@PRECISIONLIGHTING.CO.UK
WWW.PRECISIONLIGHTING.CO.UK

42 RIVERSIDE ROAD
LONDON SW17 0BA
t. +44 (0) 20 8947 6616
f. +44 (0) 20 8286 6626

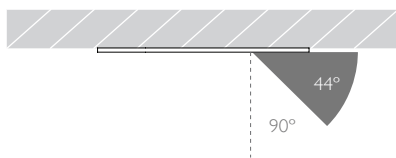
MINIMO 16 | IP54 ADJUSTABLE

Luminaires
spec sheet RCD-638

SPOT | FLAT BEZEL | PINHOLE APERTURE

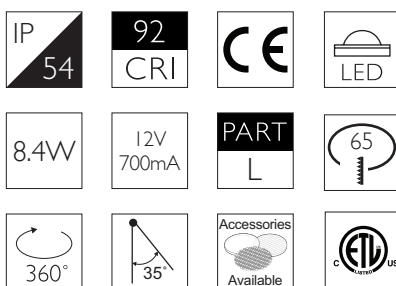


Glare Diagram



Cut Off: 44°

Glare Comfort Cut Off: 90°



Technical Description

Minimo 16 Adjustable is an IP54 recessed LED luminaire offering full adjustability with 360° pan and 35° tilt without breaking the ceiling line. Minimo 16 is perfect for use in colour-critical applications with 92CRI delivered from a single source LED module and available in two colour temperatures as standard. Tool-less, site changeable beam angles allow flexibility in varying environments. Machined from aerospace grade 6063-T6 aluminium, Minimo 16 Adjustable features a flat, discreet bezel and 33mm pinhole aperture for a minimal and extremely low glare solution. Minimo 16 Adjustable delivers a lumen package of 665lm at 8.4W.

Mechanical

Category Interior use only IP54
Material Machined Aluminium
Configuration Flat | Pinhole Aperture
Cutout \varnothing 65mm

Ceiling Thickness 3 - 25mm
Ceiling Void 20mm above module
Pan 360° **Tilt** 35°
Weight 262g

Finishes

Finishes Black | White *

* Please enquire as to the availability of non-standard Finishes

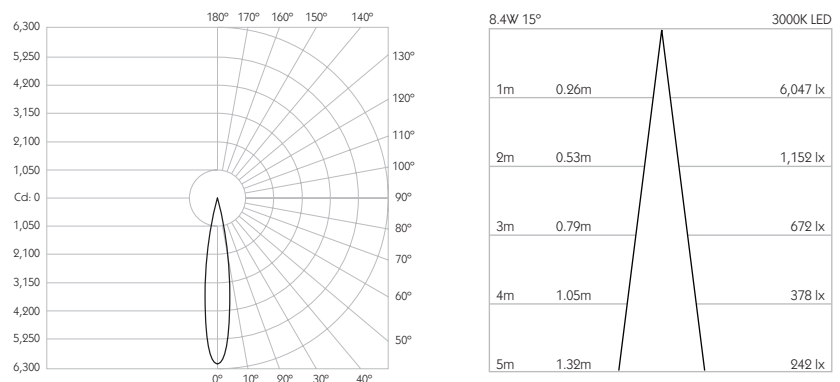
Optical

System Power 8.4W
Module Output 665lm**
Absolute Output 656lm**
LOR 99%
Glare Cut Off 44°
Glare Comfort Cut Off 90°

Colour Temperature 2700K | 3000K
CRI 92 Typ
TM-30 Rf: 90 Rg: 99
Beam Angle 15°
Gear Type Dimmable Options Available
Gear Location Remote

** Photometry shown is correct for 3000K module. Please enquire for 2700K module output.

Product Photometry independently tested in accordance with LM-79



Luminaire Code

RCD-638

Finish

BK

Black

WH

White

CCT

27

2700K

30

3000K

CRI

92

92 CRI

Beam Angle

15

15° Spot

RCD-638

92

15

PRECISION
LIGHTING

SALES@PRECISIONLIGHTING.CO.UK

WWW.PRECISIONLIGHTING.CO.UK

42 RIVERSIDE ROAD
LONDON SW17 0BA

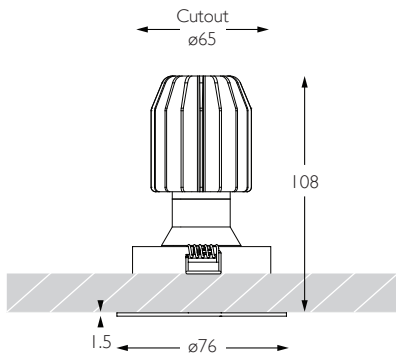
t. +44 (0) 20 8947 6616
f. +44 (0) 20 8286 6626

Version 10.16

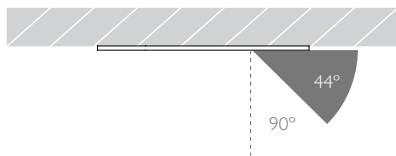
MINIMO 16 | IP54 ADJUSTABLE

Luminaires
spec sheet RCD-638

FLOOD | FLAT BEZEL | PINHOLE APERTURE

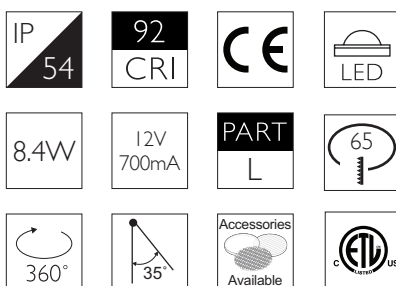


Glare Diagram



Cut Off: 44°

Glare Comfort Cut Off: 90°



Technical Description

Minimo 16 Adjustable is an IP54 recessed LED luminaire offering full adjustability with 360° pan and 35° tilt without breaking the ceiling line. Minimo 16 is perfect for use in colour-critical applications with 92CRI delivered from a single source LED module and available in two colour temperatures as standard. Tool-less, site changeable beam angles allow flexibility in varying environments. Machined from aerospace grade 6063-T6 aluminium, Minimo 16 Adjustable features a flat, discreet bezel and 33mm pinhole aperture for a minimal and extremely low glare solution. Minimo 16 Adjustable delivers a lumen package of 665lm at 8.4W.

Mechanical

Category Interior use only IP54
Material Machined Aluminium
Configuration Flat | Pinhole Aperture
Cutout ø65mm

Ceiling Thickness 3 - 25mm
Ceiling Void 20mm above module
Pan 360° **Tilt** 35°
Weight 262g

Finishes

Finishes Black | White *

* Please enquire as to the availability of non-standard Finishes

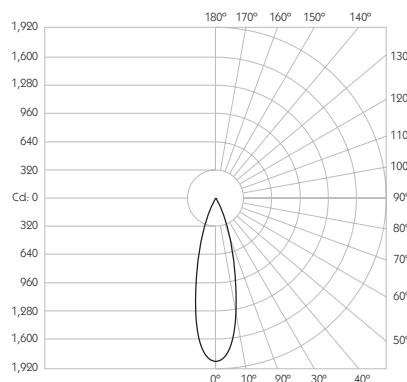
Optical

System Power 8.4W
Module Output 665lm**
Absolute Output 569lm**
LOR 86%
Glare Cut Off 44°
Glare Comfort Cut Off 90°

Colour Temperature 2700K | 3000K
CRI 92 Typ
TM-30 Rf: 90 Rg: 99
Beam Angle 25°
Gear Type Dimmable Options Available
Gear Location Remote

** Photometry shown is correct for 3000K module. Please enquire for 2700K module output.

Product Photometry independently tested in accordance with LM-79



Distance	Beam Diameter	Footcandle (lx)
1m	0.44m	1,834 lx
2m	0.89m	458 lx
3m	1.33m	204 lx
4m	1.77m	115 lx
5m	2.22m	73 lx

Luminaire Code

RCD-638

Finish

BK
WH

Black
White

CCT

27
30

2700K
3000K

CRI

92

92 CRI

Beam Angle

25

25° Flood

RCD-638

92

25

PRECISION
LIGHTING

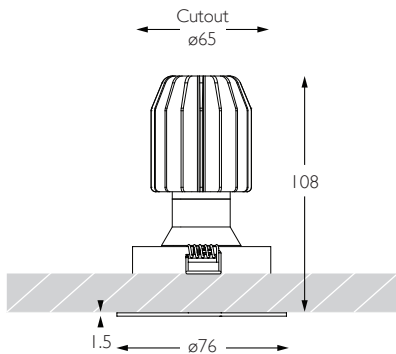
SALES@PRECISIONLIGHTING.CO.UK
WWW.PRECISIONLIGHTING.CO.UK

42 RIVERSIDE ROAD
LONDON SW17 0BA
t. +44 (0) 20 8947 6616
f. +44 (0) 20 8286 6626

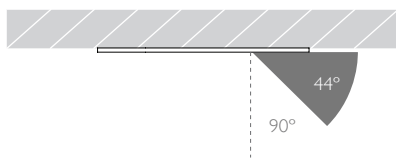
MINIMO 16 | IP54 ADJUSTABLE

Luminaires
spec sheet RCD-638

WIDE FLOOD | FLAT BEZEL | PINHOLE APERTURE

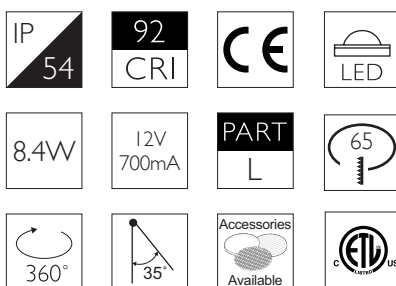


Glare Diagram



Cut Off: 44°

Glare Comfort Cut Off: 90°



Technical Description

Minimo 16 Adjustable is an IP54 recessed LED luminaire offering full adjustability with 360° pan and 35° tilt without breaking the ceiling line. Minimo 16 is perfect for use in colour-critical applications with 92CRI delivered from a single source LED module and available in two colour temperatures as standard. Tool-less, site changeable beam angles allow flexibility in varying environments. Machined from aerospace grade 6063-T6 aluminium, Minimo 16 Adjustable features a flat, discreet bezel and 33mm pinhole aperture for a minimal and extremely low glare solution. Minimo 16 Adjustable delivers a lumen package of 665lm at 8.4W.

Mechanical

Category Interior use only IP54
Material Machined Aluminium
Configuration Flat | Pinhole Aperture
Cutout \varnothing 65mm

Ceiling Thickness 3 - 25mm
Ceiling Void 20mm above module
Pan 360° **Tilt** 35°
Weight 262g

Finishes

Finishes Black | White *

* Please enquire as to the availability of non-standard Finishes

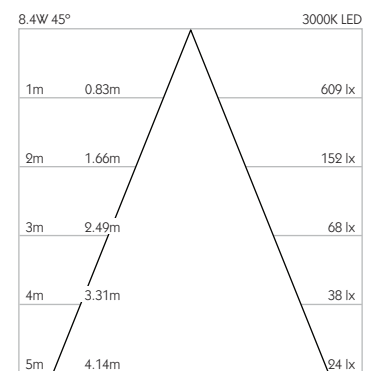
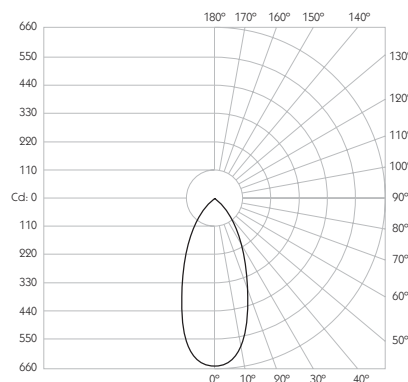
Optical

System Power 8.4W
Module Output 665lm**
Absolute Output 544lm**
LOR 82%
Glare Cut Off 44°
Glare Comfort Cut Off 90°

Colour Temperature 2700K | 3000K
CRI 92 Typ
TM-30 Rf: 90 Rg: 99
Beam Angle 45°
Gear Type Dimmable Options Available
Gear Location Remote

** Photometry shown is correct for 3000K module. Please enquire for 2700K module output.

Product Photometry independently tested in accordance with LM-79



Luminaire Code

RCD-638

Finish

BK
WH

Black
White

CCT

27
30

2700K
3000K

CRI

92

92 CRI

Beam Angle

45

45° Wide Flood

RCD-638

92

45

PRECISION
LIGHTING

SALES@PRECISIONLIGHTING.CO.UK
WWW.PRECISIONLIGHTING.CO.UK

42 RIVERSIDE ROAD
LONDON SW17 0BA
t. +44 (0) 20 8947 6616
f. +44 (0) 20 8286 6626