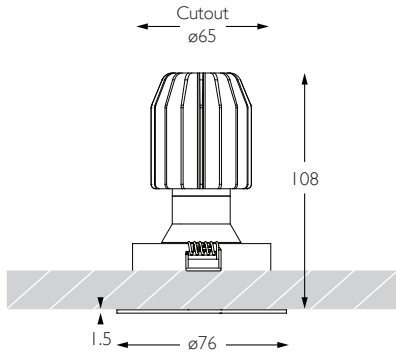


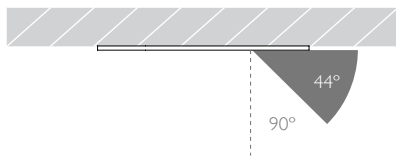
MINIMO 16 | ADJUSTABLE

Luminaires
spec sheet RCD-636

ULTRA NARROW SPOT | FLAT BEZEL | PINHOLE APERTURE

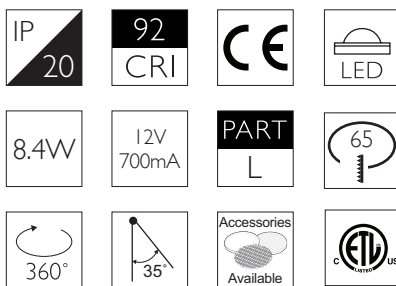


Glare Diagram



Cut Off: 44°

Glare Comfort Cut Off: 90°



Technical Description

Minimo 16 Adjustable is a compact recessed LED luminaire offering full adjustability with 360° pan and 35° tilt without breaking the ceiling line. Minimo 16 is perfect for use in colour-critical applications with 92CRI delivered from a single source LED module and available in two colour temperatures as standard. Tool-less, site changeable beam angles allow flexibility in varying environments. Machined from aerospace grade 6063-T6 aluminium, Minimo 16 Adjustable features a flat, discreet bezel and 33mm pinhole aperture for a minimal and extremely low glare solution. Minimo 16 Adjustable delivers a lumen package of 665lm at 8.4W.

Mechanical

Category Interior use only IP20
Material Machined Aluminium
Configuration Flat | Pinhole Aperture
Cutout \varnothing 65mm

Ceiling Thickness 3 - 25mm
Ceiling Void 20mm above module
Pan 360° **Tilt** 35°
Weight 247g

Finishes

Finishes Black | White *

* Please enquire as to the availability of non-standard Finishes

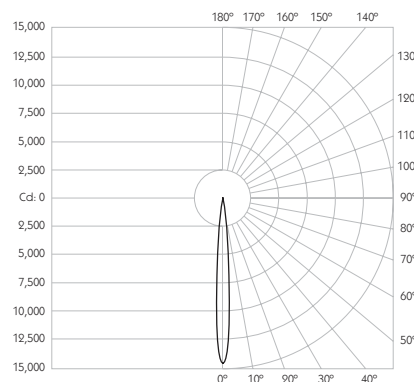
Optical

System Power 8.4W
Module Output 665lm**
Absolute Output 656lm**
LOR 99%
Glare Cut Off 44°
Glare Comfort Cut Off 90°

Colour Temperature 2700K | 3000K
CRI 92 Typ
TM-30 Rf: 90 Rg: 99
Beam Angle 9°
Gear Type Dimmable Options Available
Gear Location Remote

** Photometry shown is correct for 3000K module. Please enquire for 2700K module output.

Product Photometry independently tested in accordance with LM-79



Distance	Beam Diameter	Illuminance (lx)
1m	0.16m	14,533 lx
2m	0.31m	3,633 lx
3m	0.47m	1,615 lx
4m	0.63m	908 lx
5m	0.79m	581 lx

Luminaire Code	Finish	CCT	CRI	Beam Angle
RCD-636	BK Black WH White	27 2700K 30 3000K	92 92 CRI	09 9° Ultra Narrow Spot
RCD-636	-	-	92	09

PRECISION
LIGHTING

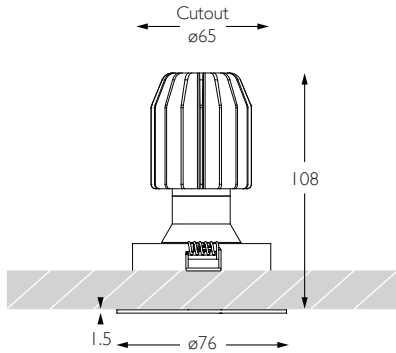
SALES@PRECISIONLIGHTING.CO.UK
WWW.PRECISIONLIGHTING.CO.UK

42 RIVERSIDE ROAD
LONDON SW17 0BA
t. +44 (0) 20 8947 6616
f. +44 (0) 20 8286 6626

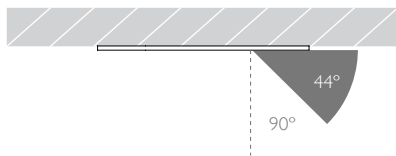
MINIMO 16 | ADJUSTABLE

Luminaires
spec sheet RCD-636

NARROW SPOT | FLAT BEZEL | PINHOLE APERTURE

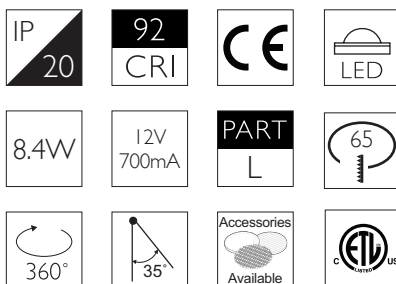


Glare Diagram



Cut Off: 44°

Glare Comfort Cut Off: 90°



Technical Description

Minimo 16 Adjustable is a compact recessed LED luminaire offering full adjustability with 360° pan and 35° tilt without breaking the ceiling line. Minimo 16 is perfect for use in colour-critical applications with 92CRI delivered from a single source LED module and available in two colour temperatures as standard. Tool-less, site changeable beam angles allow flexibility in varying environments. Machined from aerospace grade 6063-T6 aluminium, Minimo 16 Adjustable features a flat, discreet bezel and 33mm pinhole aperture for a minimal and extremely low glare solution. Minimo 16 Adjustable delivers a lumen package of 665lm at 8.4W.

Mechanical

Category Interior use only IP20
Material Machined Aluminium
Configuration Flat | Pinhole Aperture
Cutout \varnothing 65mm

Ceiling Thickness 3 - 25mm
Ceiling Void 20mm above module
Pan 360° **Tilt** 35°
Weight 247g

Finishes

Finishes Black | White *

* Please enquire as to the availability of non-standard Finishes

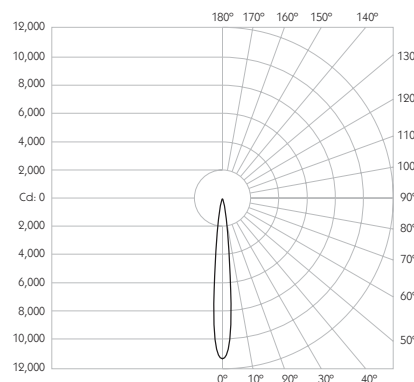
Optical

System Power 8.4W
Module Output 665lm**
Absolute Output 653lm**
LOR 98%
Glare Cut Off 44°
Glare Comfort Cut Off 90°

Colour Temperature 2700K | 3000K
CRI 92 Typ
TM-30 Rf: 90 Rg: 99
Beam Angle 11°
Gear Type Dimmable Options Available
Gear Location Remote

** Photometry shown is correct for 3000K module. Please enquire for 2700K module output.

Product Photometry independently tested in accordance with LM-79



Distance	Beam Diameter	Footcandle (lx)
1m	0.19m	11,164 lx
2m	0.39m	2,791 lx
3m	0.58m	1,240 lx
4m	0.77m	698 lx
5m	0.96m	447 lx

Luminaire Code

RCD-636

Finish

BK
WH

Black
White

CCT

27
30

2700K
3000K

CRI

92

92 CRI

Beam Angle

11

11° Narrow Spot

RCD-636

92

11

PRECISION
LIGHTING

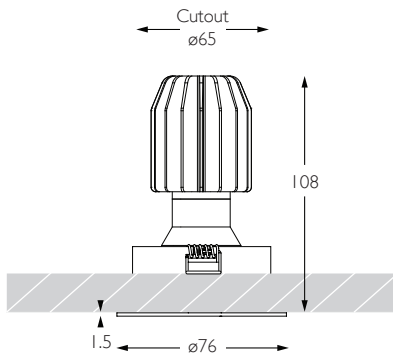
SALES@PRECISIONLIGHTING.CO.UK
WWW.PRECISIONLIGHTING.CO.UK

42 RIVERSIDE ROAD
LONDON SW17 0BA
t. +44 (0) 20 8947 6616
f. +44 (0) 20 8286 6626

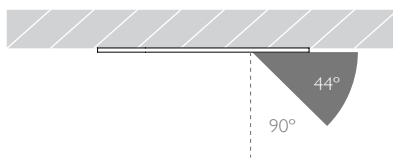
MINIMO 16 | ADJUSTABLE

Luminaires
spec sheet RCD-636

SPOT | FLAT BEZEL | PINHOLE APERTURE

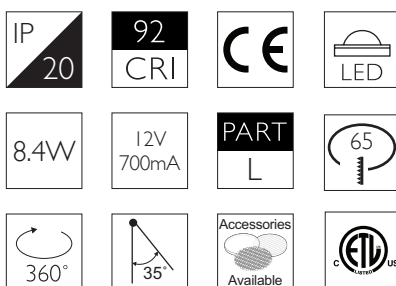


Glare Diagram



Cut Off: 44°

Glare Comfort Cut Off: 90°



Technical Description

Minimo 16 Adjustable is a compact recessed LED luminaire offering full adjustability with 360° pan and 35° tilt without breaking the ceiling line. Minimo 16 is perfect for use in colour-critical applications with 92CRI delivered from a single source LED module and available in two colour temperatures as standard. Tool-less, site changeable beam angles allow flexibility in varying environments. Machined from aerospace grade 6063-T6 aluminium, Minimo 16 Adjustable features a flat, discreet bezel and 33mm pinhole aperture for a minimal and extremely low glare solution. Minimo 16 Adjustable delivers a lumen package of 665lm at 8.4W.

Mechanical

Category Interior use only IP20
Material Machined Aluminium
Configuration Flat | Pinhole Aperture
Cutout \varnothing 65mm

Ceiling Thickness 3 - 25mm
Ceiling Void 20mm above module
Pan 360° **Tilt** 35°
Weight 247g

Finishes

Finishes Black | White *
 * Please enquire as to the availability of non-standard Finishes

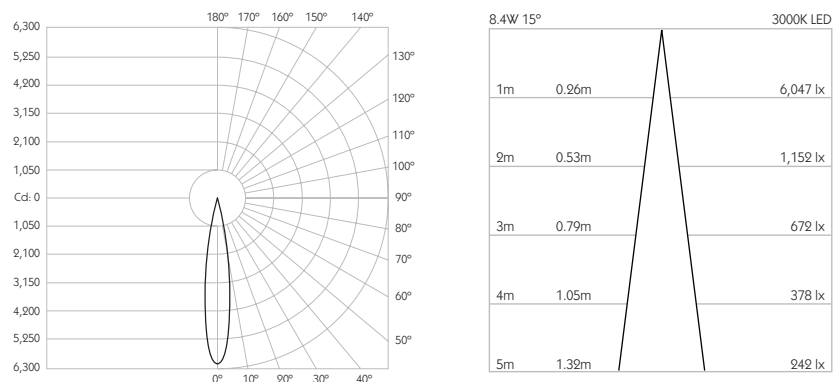
Optical

System Power 8.4W
Module Output 665lm**
Absolute Output 656lm**
LOR 99%
Glare Cut Off 44°
Glare Comfort Cut Off 90°

Colour Temperature 2700K | 3000K
CRI 92 Typ
TM-30 Rf: 90 Rg: 99
Beam Angle 15°
Gear Type Dimmable Options Available
Gear Location Remote

** Photometry shown is correct for 3000K module. Please enquire for 2700K module output.

Product Photometry independently tested in accordance with LM-79



Luminaire Code	Finish	CCT	CRI	Beam Angle
RCD-636	BK Black WH White	27 2700K 30 3000K	92 92 CRI	15 15° Spot

RCD-636	-	-	92	15
---------	---	---	----	----

PRECISION
LIGHTING

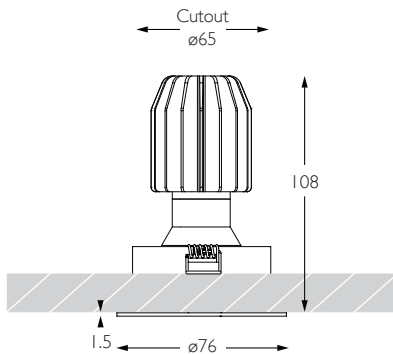
SALES@PRECISIONLIGHTING.CO.UK
WWW.PRECISIONLIGHTING.CO.UK

42 RIVERSIDE ROAD
LONDON SW17 0BA
t. +44 (0) 20 8947 6616
f. +44 (0) 20 8286 6626

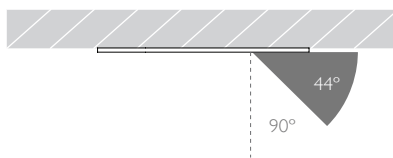
MINIMO 16 | ADJUSTABLE

Luminaires
spec sheet RCD-636

FLOOD | FLAT BEZEL | PINHOLE APERTURE

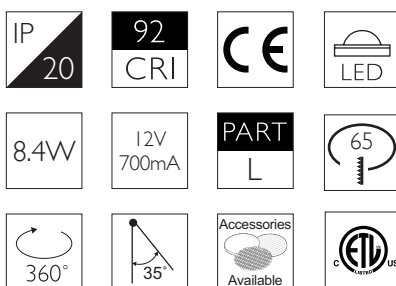


Glare Diagram



Cut Off: 44°

Glare Comfort Cut Off: 90°



Technical Description

Minimo 16 Adjustable is a compact recessed LED luminaire offering full adjustability with 360° pan and 35° tilt without breaking the ceiling line. Minimo 16 is perfect for use in colour-critical applications with 92CRI delivered from a single source LED module and available in two colour temperatures as standard. Tool-less, site changeable beam angles allow flexibility in varying environments. Machined from aerospace grade 6063-T6 aluminium, Minimo 16 Adjustable features a flat, discreet bezel and 33mm pinhole aperture for a minimal and extremely low glare solution. Minimo 16 Adjustable delivers a lumen package of 665lm at 8.4W.

Mechanical

Category Interior use only IP20
Material Machined Aluminium
Configuration Flat | Pinhole Aperture
Cutout \varnothing 65mm

Ceiling Thickness 3 - 25mm
Ceiling Void 20mm above module
Pan 360° **Tilt** 35°
Weight 247g

Finishes

Finishes Black | White *

* Please enquire as to the availability of non-standard Finishes

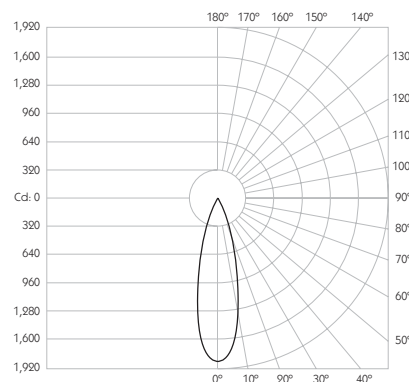
Optical

System Power 8.4W
Module Output 665lm**
Absolute Output 569lm**
LOR 86%
Glare Cut Off 44°
Glare Comfort Cut Off 90°

Colour Temperature 2700K | 3000K
CRI 92 Typ
TM-30 Rf: 90 Rg: 99
Beam Angle 25°
Gear Type Dimmable Options Available
Gear Location Remote

** Photometry shown is correct for 3000K module. Please enquire for 2700K module output.

Product Photometry independently tested in accordance with LM-79



Distance (m)	Beam Diameter (m)	Footcandle (lx)
1m	0.44m	1,834 lx
2m	0.89m	458 lx
3m	1.33m	204 lx
4m	1.77m	115 lx
5m	2.22m	73 lx

Luminaire Code

RCD-636

Finish

BK
WH

Black
White

CCT

27
30

2700K
3000K

CRI

92

92 CRI

Beam Angle

25

25° Flood

RCD-636

92

25

PRECISION
LIGHTING

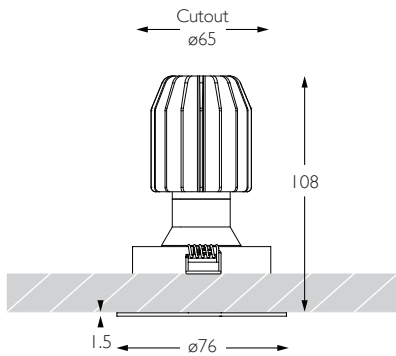
SALES@PRECISIONLIGHTING.CO.UK
WWW.PRECISIONLIGHTING.CO.UK

42 RIVERSIDE ROAD
LONDON SW17 0BA
t. +44 (0) 20 8947 6616
f. +44 (0) 20 8286 6626

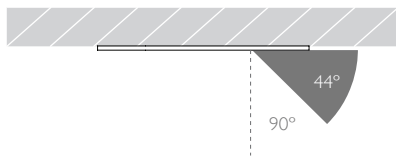
MINIMO 16 | ADJUSTABLE

Luminaires
spec sheet RCD-636

WIDE FLOOD | FLAT BEZEL | PINHOLE APERTURE

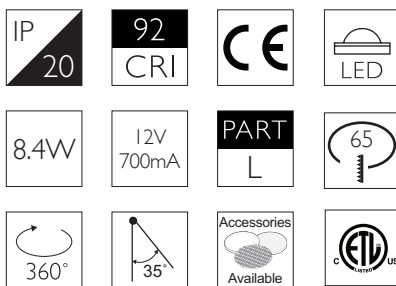


Glare Diagram



Cut Off: 44°

Glare Comfort Cut Off: 90°



Technical Description

Minimo 16 Adjustable is a compact recessed LED luminaire offering full adjustability with 360° pan and 35° tilt without breaking the ceiling line. Minimo 16 is perfect for use in colour-critical applications with 92CRI delivered from a single source LED module and available in two colour temperatures as standard. Tool-less, site changeable beam angles allow flexibility in varying environments. Machined from aerospace grade 6063-T6 aluminium, Minimo 16 Adjustable features a flat, discreet bezel and 33mm pinhole aperture for a minimal and extremely low glare solution. Minimo 16 Adjustable delivers a lumen package of 665lm at 8.4W.

Mechanical

Category Interior use only IP20
Material Machined Aluminium
Configuration Flat | Pinhole Aperture
Cutout \varnothing 65mm

Ceiling Thickness 3 - 25mm
Ceiling Void 20mm above module
Pan 360° **Tilt** 35°
Weight 247g

Finishes

Finishes Black | White *

* Please enquire as to the availability of non-standard Finishes

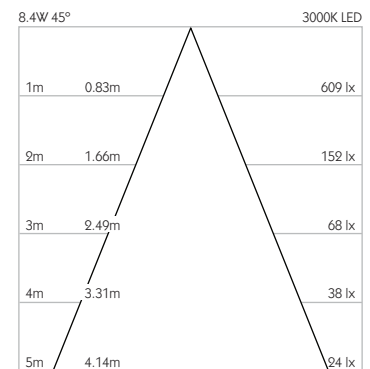
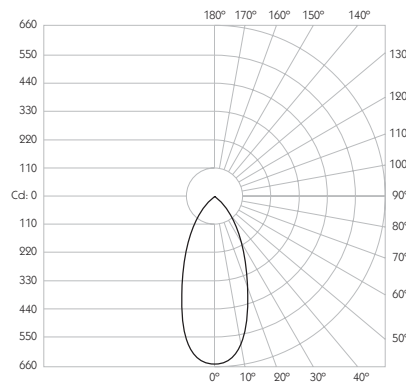
Optical

System Power 8.4W
Module Output 665lm**
Absolute Output 544lm**
LOR 82%
Glare Cut Off 44°
Glare Comfort Cut Off 90°

Colour Temperature 2700K | 3000K
CRI 92 Typ
TM-30 Rf: 90 Rg: 99
Beam Angle 45°
Gear Type Dimmable Options Available
Gear Location Remote

** Photometry shown is correct for 3000K module. Please enquire for 2700K module output.

Product Photometry independently tested in accordance with LM-79



Luminaire Code

RCD-636

Finish

BK
WH

Black
White

CCT

27
30

2700K
3000K

CRI

92

92 CRI

Beam Angle

45

45° Wide Flood

RCD-636

92

45

PRECISION
LIGHTING

SALES@PRECISIONLIGHTING.CO.UK
WWW.PRECISIONLIGHTING.CO.UK

42 RIVERSIDE ROAD
LONDON SW17 0BA
t. +44 (0) 20 8947 6616
f. +44 (0) 20 8286 6626

Version 10.16