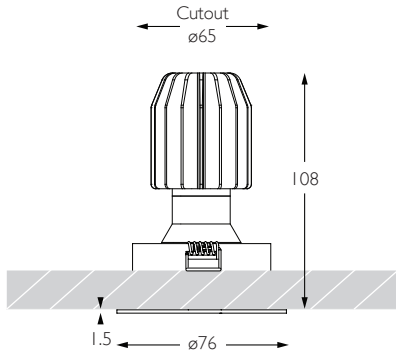


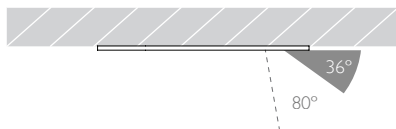
# MINIMO 16 | FIXED

Luminaires  
spec sheet RCD-631

ULTRA NARROW SPOT | FLAT BEZEL

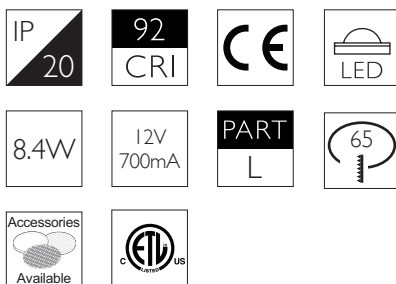


Glare Diagram



Cut Off: 36°

Glare Comfort Cut Off: 80°



## Technical Description

Minimo 16 Fixed is a recessed LED luminaire providing high performance accent lighting from a compact source with minimal glare. Minimo 16 is perfect for use in colour-critical applications with 92CRI delivered from a single source LED module and available in two colour temperatures as standard. Tool-less, site changeable beam angles allow flexibility in varying environments. Machined from aerospace grade 6063-T6 aluminium or brass, Minimo 16 Fixed features a flat bezel with a choice of six finishes and an interchangeable chamfered aperture available in three finishes for complete aesthetic integration. Minimo 16 Fixed delivers a lumen package of 665lm at 8.4W.

## Mechanical

**Category** Interior use only IP20

**Material** Machined Aluminium | Brass

**Configuration** Flat | Chamfered Aperture

**Cutout** ø65mm

**Ceiling Thickness** 3 - 25mm

**Ceiling Void** 20mm above module

**Weight** AL BK WH - 249g | RB PB CH - 271g

## Finishes

**Bezel Finishes** Aluminium | Black | White | Rubbed Bronze | Polished Brass | Chrome | \*

**Aperture Finishes** Black | White | Satin Brass | \*

\* Please enquire as to the availability of non-standard Finishes

## Optical

**System Power** 8.4W

**Module Output** 665lm\*\*

**Absolute Output** 656lm\*\*

**LOR** 99%

**Glare Cut Off** 36°

**Glare Comfort Cut Off** 80°

\*\* Photometry shown is correct for 3000K module. Please enquire for 2700K module output.

**Colour Temperature** 2700K | 3000K

**CRI** 92 Typ

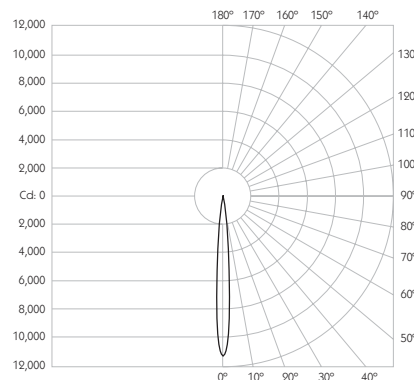
**TM-30** Rf: 90 Rg: 99

**Beam Angle** 9°

**Gear Type** Dimmable Options Available

**Gear Location** Remote

Product Photometry independently tested in accordance with LM-79



Distance	Beam Diameter	Illuminance (lx)
1m	0.16m	11,214 lx
2m	0.31m	2,804 lx
3m	0.47m	1,246 lx
4m	0.63m	701 lx
5m	0.79m	449 lx

Luminaire Code

RCD-631

Bezel Finish

AL	Brushed Aluminium
WH	White
BK	Black
RB	Rubbed Bronze
PB	Polished Brass
CH	Polished Chrome

Aperture Finish

BK	Black
WH	White
SB	Satin Brass

CCT

27	2700K
30	3000K

CRI

92 92 CRI

Beam Angle

09 9° Ultra Narrow Spot

RCD-631

92

09

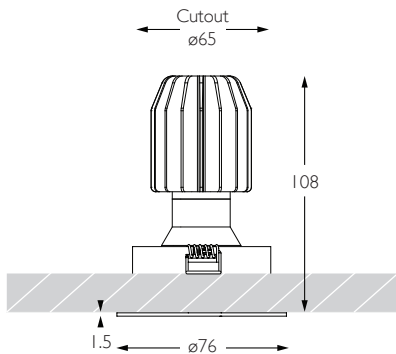
PRECISION  
LIGHTING

SALES@PRECISIONLIGHTING.CO.UK

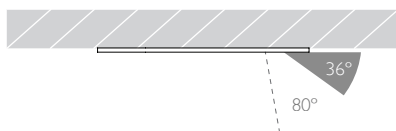
WWW.PRECISIONLIGHTING.CO.UK

42 RIVERSIDE ROAD  
LONDON SW17 0BA

t. +44 (0) 20 8947 6616  
f. +44 (0) 20 8286 6626

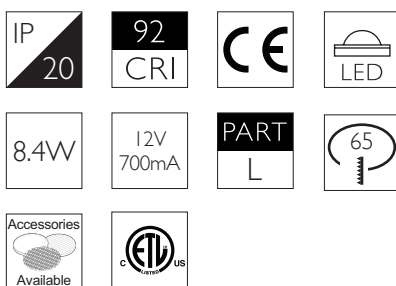


Glare Diagram



Cut Off: 36°

Glare Comfort Cut Off: 80°



## Technical Description

Minimo 16 Fixed is a recessed LED luminaire providing high performance accent lighting from a compact source with minimal glare. Minimo 16 is perfect for use in colour-critical applications with 92CRI delivered from a single source LED module and available in two colour temperatures as standard. Tool-less, site changeable beam angles allow flexibility in varying environments. Machined from aerospace grade 6063-T6 aluminium or brass, Minimo 16 Fixed features a flat bezel with a choice of six finishes and an interchangeable chamfered aperture available in three finishes for complete aesthetic integration. Minimo 16 Fixed delivers a lumen package of 665lm at 8.4W.

## Mechanical

**Category** Interior use only IP20

**Material** Machined Aluminium | Brass

**Configuration** Flat | Chamfered Aperture

**Cutout**  $\varnothing$ 65mm

**Ceiling Thickness** 3 - 25mm

**Ceiling Void** 20mm above module

**Weight** AL BK WH - 249g | RB PB CH - 271g

## Finishes

**Bezel Finishes** Aluminium | Black | White | Rubbed Bronze | Polished Brass | Chrome | \*

**Aperture Finishes** Black | White | Satin Brass | \*

\* Please enquire as to the availability of non-standard Finishes

## Optical

**System Power** 8.4W

**Module Output** 665lm\*\*

**Absolute Output** 653lm\*\*

**LOR** 98%

**Glare Cut Off** 36°

**Glare Comfort Cut Off** 80°

\*\* Photometry shown is correct for 3000K module. Please enquire for 2700K module output.

**Colour Temperature** 2700K | 3000K

**CRI** 92 Typ

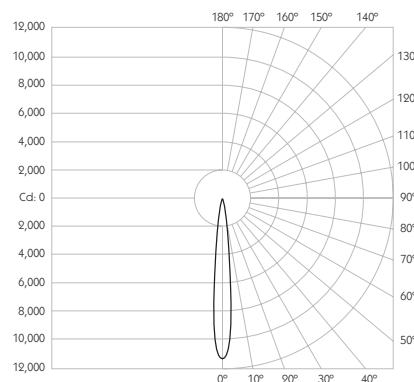
**TM-30** Rf: 90 Rg: 99

**Beam Angle** 11°

**Gear Type** Dimmable Options Available

**Gear Location** Remote

Product Photometry independently tested in accordance with LM-79



Distance	Beam Diameter	Illuminance (lx)
1m	0.19m	11,164 lx
2m	0.39m	2,791 lx
3m	0.58m	1,240 lx
4m	0.77m	698 lx
5m	0.96m	447 lx

Luminaire Code

RCD-631

Bezel Finish

AL	Brushed Aluminium
WH	White
BK	Black
RB	Rubbed Bronze
PB	Polished Brass
CH	Polished Chrome

Aperture Finish

BK	Black
WH	White
SB	Satin Brass

CCT

27	2700K
30	3000K

CRI

92 92 CRI

Beam Angle

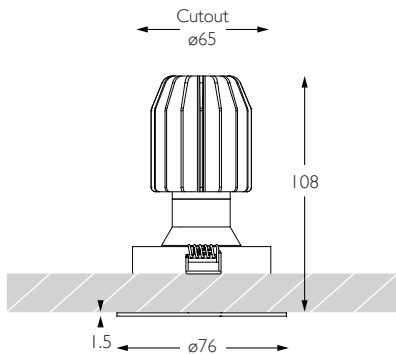
11 11° Narrow Spot

RCD-631

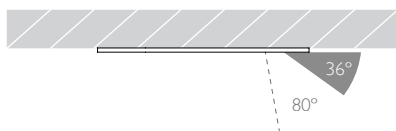
92

11

## SPOT | FLAT BEZEL

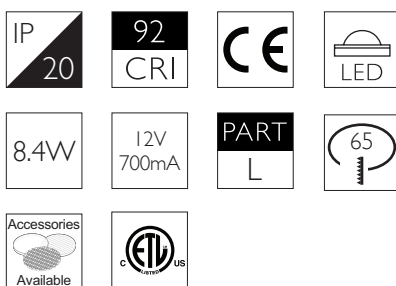


Glare Diagram



Cut Off: 36°

Glare Comfort Cut Off: 80°



### Technical Description

Minimo 16 Fixed is a recessed LED luminaire providing high performance accent lighting from a compact source with minimal glare. Minimo 16 is perfect for use in colour-critical applications with 92CRI delivered from a single source LED module and available in two colour temperatures as standard. Tool-less, site changeable beam angles allow flexibility in varying environments. Machined from aerospace grade 6063-T6 aluminium or brass, Minimo 16 Fixed features a flat bezel with a choice of six finishes and an interchangeable chamfered aperture available in three finishes for complete aesthetic integration. Minimo 16 Fixed delivers a lumen package of 665lm at 8.4W.

### Mechanical

**Category** Interior use only IP20  
**Material** Machined Aluminium | Brass  
**Configuration** Flat | Chamfered Aperture  
**Cutout** ø65mm  
**Ceiling Thickness** 3 - 25mm  
**Ceiling Void** 20mm above module  
**Weight** AL BK WH - 249g | RB PB CH - 271g

### Finishes

**Bezel Finishes** Aluminium | Black | White | Rubbed Bronze | Polished Brass | Chrome | \*

**Aperture Finishes** Black | White | Satin Brass | \*

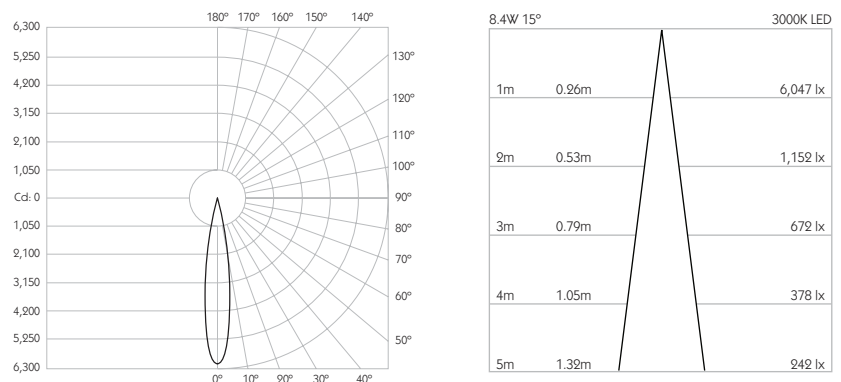
\* Please enquire as to the availability of non-standard Finishes

### Optical

**System Power** 8.4W  
**Module Output** 665lm\*\*  
**Absolute Output** 656lm\*\*  
**LOR** 99%  
**Glare Cut Off** 36°  
**Glare Comfort Cut Off** 80°  
**Colour Temperature** 2700K | 3000K  
**CRI** 92 Typ  
**TM-30** Rf: 90 Rg: 99  
**Beam Angle** 15°  
**Gear Type** Dimmable Options Available  
**Gear Location** Remote

\*\* Photometry shown is correct for 3000K module. Please enquire for 2700K module output.

Product Photometry independently tested in accordance with LM-79



Luminaire Code

Bezel Finish

Aperture Finish

CCT

CRI

Beam Angle

RCD-631

AL	Brushed Aluminium
WH	White
BK	Black
RB	Rubbed Bronze
PB	Polished Brass
CH	Polished Chrome

BK	Black
WH	White
SB	Satin Brass

27	2700K
30	3000K

92	92 CRI
----	--------

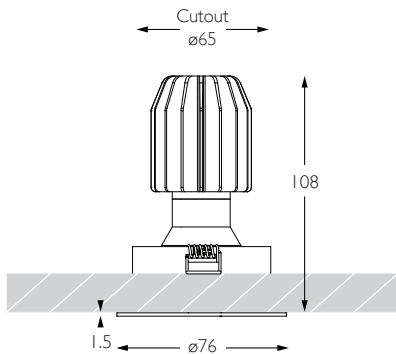
15	15° Spot
----	----------

RCD-631

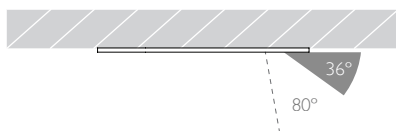
92

15

## FLOOD | FLAT BEZEL

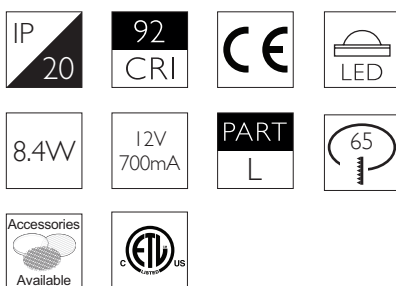


Glare Diagram



Cut Off: 36°

Glare Comfort Cut Off: 80°



### Technical Description

Minimo 16 Fixed is a recessed LED luminaire providing high performance accent lighting from a compact source with minimal glare. Minimo 16 is perfect for use in colour-critical applications with 92CRI delivered from a single source LED module and available in two colour temperatures as standard. Tool-less, site changeable beam angles allow flexibility in varying environments. Machined from aerospace grade 6063-T6 aluminium or brass, Minimo 16 Fixed features a flat bezel with a choice of six finishes and an interchangeable chamfered aperture available in three finishes for complete aesthetic integration. Minimo 16 Fixed delivers a lumen package of 665lm at 8.4W.

### Mechanical

**Category** Interior use only IP20

**Material** Machined Aluminium | Brass

**Configuration** Flat | Chamfered Aperture

**Cutout** ø65mm

**Ceiling Thickness** 3 - 25mm

**Ceiling Void** 20mm above module

**Weight** AL BK WH - 249g | RB PB CH - 271g

### Finishes

**Bezel Finishes** Aluminium | Black | White | Rubbed Bronze | Polished Brass | Chrome | \*

**Aperture Finishes** Black | White | Satin Brass | \*

\* Please enquire as to the availability of non-standard Finishes

### Optical

**System Power** 8.4W

**Module Output** 665lm\*\*

**Absolute Output** 569lm\*\*

**LOR** 86%

**Glare Cut Off** 36°

**Glare Comfort Cut Off** 80°

\*\* Photometry shown is correct for 3000K module. Please enquire for 2700K module output.

**Colour Temperature** 2700K | 3000K

**CRI** 92 Typ

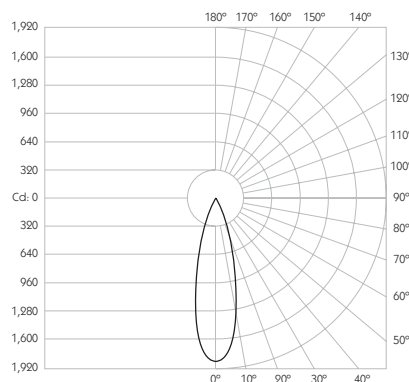
**TM-30** Rf: 90 Rg: 99

**Beam Angle** 25°

**Gear Type** Dimmable Options Available

**Gear Location** Remote

Product Photometry independently tested in accordance with LM-79



Distance	Beam Diameter	Illuminance (lx)
1m	0.44m	1,834 lx
2m	0.89m	458 lx
3m	1.33m	204 lx
4m	1.77m	115 lx
5m	2.22m	73 lx

Luminaire Code

Bezel Finish

Aperture Finish

CCT

CRI

Beam Angle

RCD-631

AL	Brushed Aluminium
WH	White
BK	Black
RB	Rubbed Bronze
PB	Polished Brass
CH	Polished Chrome

BK	Black
WH	White
SB	Satin Brass

27	2700K
30	3000K

92 92 CRI

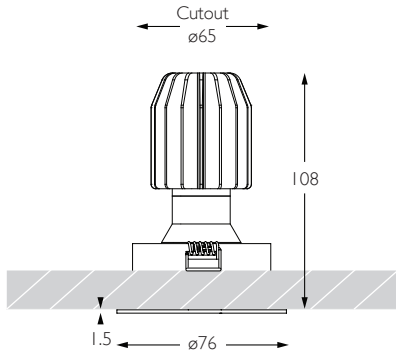
25 25° Flood

RCD-631

92

25

WIDE FLOOD | FLAT BEZEL

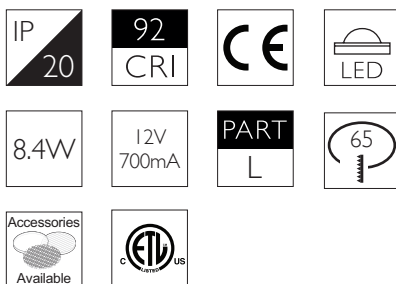


Glare Diagram



Cut Off: 36°

Glare Comfort Cut Off: 80°



## Technical Description

Minimo 16 Fixed is a recessed LED luminaire providing high performance accent lighting from a compact source with minimal glare. Minimo 16 is perfect for use in colour-critical applications with 92CRI delivered from a single source LED module and available in two colour temperatures as standard. Tool-less, site changeable beam angles allow flexibility in varying environments. Machined from aerospace grade 6063-T6 aluminium or brass, Minimo 16 Fixed features a flat bezel with a choice of six finishes and an interchangeable chamfered aperture available in three finishes for complete aesthetic integration. Minimo 16 Fixed delivers a lumen package of 665lm at 8.4W.

## Mechanical

**Category** Interior use only IP20

**Material** Machined Aluminium | Brass

**Configuration** Flat | Chamfered Aperture

**Cutout** ø65mm

**Ceiling Thickness** 3 - 25mm

**Ceiling Void** 20mm above module

**Weight** AL BK WH - 249g | RB PB CH - 271g

## Finishes

**Bezel Finishes** Aluminium | Black | White | Rubbed Bronze | Polished Brass | Chrome | \*

**Aperture Finishes** Black | White | Satin Brass | \*

\* Please enquire as to the availability of non-standard Finishes

## Optical

**System Power** 8.4W

**Module Output** 665lm\*\*

**Absolute Output** 544lm\*\*

**LOR** 82%

**Glare Cut Off** 36°

**Glare Comfort Cut Off** 80°

\*\* Photometry shown is correct for 3000K module. Please enquire for 2700K module output.

**Colour Temperature** 2700K | 3000K

**CRI** 92 Typ

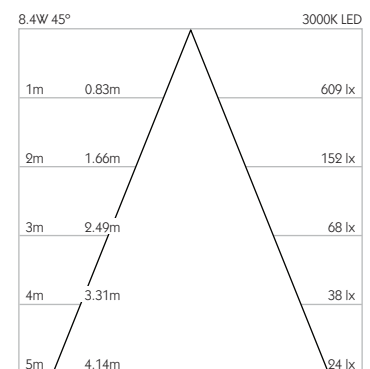
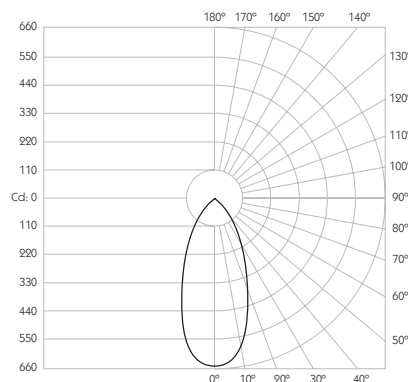
**TM-30** Rf: 90 Rg: 99

**Beam Angle** 45°

**Gear Type** Dimmable Options Available

**Gear Location** Remote

Product Photometry independently tested in accordance with LM-79



Luminaire Code

RCD-631

Bezel Finish

AL	Brushed Aluminium
WH	White
BK	Black
RB	Rubbed Bronze
PB	Polished Brass
CH	Polished Chrome

Aperture Finish

BK	Black
WH	White
SB	Satin Brass

CCT

27	2700K
30	3000K

CRI

92

92 CRI

Beam Angle

45

45° Wide Flood

RCD-631

92

45