

## instruction manual

### Evo LED

The Evo family are 92CRI LED spotlights, designed around the classical proportions of the golden ratio.

Evo 16 LED - 9W, 700lm  
Evo 11 LED - 4.9W, 405lm

Model shown is the Evo 16 LED with short snoot. The same procedures apply for Evo 11 LED and other snoot options.



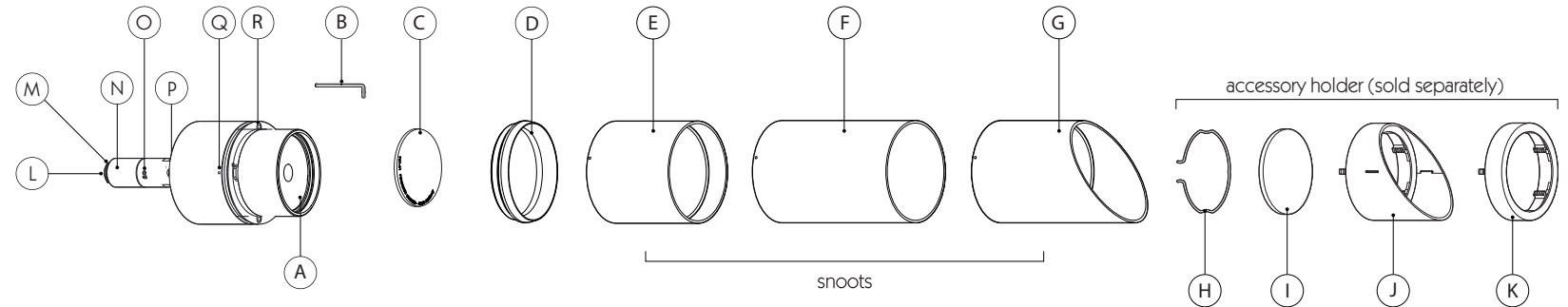
42 RIVERSIDE ROAD | LONDON | SW17 0BA | UK  
t. +44 (0) 20 8947 6616 | sales@precisionlighting.co.uk  
f. +44 (0) 20 8286 6626 | www.precisionlighting.co.uk  
© 2017 Precision Lighting Ltd. We reserve the right to change details of design, materials and finish. Version 1.0

### IMPORTANT SAFETY INFORMATION

READ ALL INSTRUCTIONS BEFORE USING THESE PRODUCTS. SAVE THESE INSTRUCTIONS FOR LATER REFERENCE.

- All systems must be installed by a suitably qualified professional only. Installations must conform to national installation and accident prevention regulations.
- Do not install any fixture closer than 150mm (6 inches) from any combustible material. Do not install these products in a damp or wet location.
- To reduce the risk of fire and burns, do not install these products where exposed bare conductors can be shorted or contact any conductive materials. Do not conceal or extend exposed conductors through a building wall.
- Ensure all connections are tight. Bad connections can cause overheating, arcing and a potential fire risk.
- This luminaire must be wired and grounded in accordance with standard accepted electrical installation practices, local codes and ordinances.
- Wire supply connections must be made with U.L. or compatible testing agency-approved connectors.
- Ensure the luminaire's Jack Plug is correctly inserted into the selected power system. The Jack Plug should not be cross threaded and should be fully tightened.
- Always use appropriate optics and ensure they are fitted securely.
- Use only as described in this Precision Lighting manual.
- Use only Precision Lighting recommended accessories.
- Ensure that the luminaire is switched off at mains supply before installing or removing.
- Luminaires may be extremely hot, allow to cool before touching.
- These are 24V Constant Voltage luminaires, they must be connected to an appropriate 24VDC power supply, as recommended by Precision Lighting.
- Regular cleaning of these products is important. Switch off at mains supply and allow to cool before cleaning fittings with a microfibre cloth. Then reconnect the power supply.

### KEY PRODUCT FEATURES



A.	main body	K.	standard accessory holder
B.	allen key	L.	jack plug
C.	micro lens	M.	orientation pin
D.	micro lens cap	N.	jack plug collar
E.	short snoot	O.	pan lock
F.	long snoot	P.	tilt lock
G.	glare guard snoot	Q.	snoot alignment guide
H.	accessory clip	R.	bayonet
I.	accessory (up to 2)		
J.	wall wash accessory holder		

Compatible Power Supply	Order Code	Max 16 Series Luminaire Quantity	Max 11 Series Luminaire Quantity
Relco 20W PSU	PSCA-20-24-A-RE	1	1
Osram 80W PSU	PSCV-80-24-A-OS	7	12
Osram 120W PSU	PSCV-120-24-A-OS	10	15

Model shown is the Evo 16 LED with short snoot. The same procedures apply for Evo 11 LED and other snoot options.

### 1. Installing the luminaire using Jack Plug connector.

- Insert Jack Plug into monopoint or track system ensuring locking screws are aligned. Refer to specific system instructions for details.
- Rotate jack plug collar until luminaire is securely fastened.

**NOTE** Basis Track shown, actual system may vary. Alternative systems include Retrac, Eutrac and the Monopoint range.

See PSU data sheet for details on maximum number of luminaires per driver.

### 2. Locking the luminaire in Pan and Tilt.

- Adjust luminaire to desired position.
- Lock luminaire position using 2mm Allen key provided.

**NOTE** only adjust luminaire position when unlocked.

### 3. Installing accessories using the accessory holder.

- Fit up to 2 accessories into accessory holder.
- Secure accessories in place using retaining clip.
- Insert accessory holder into snoot until it clicks into place.

### 4. Removing and changing the snoot.

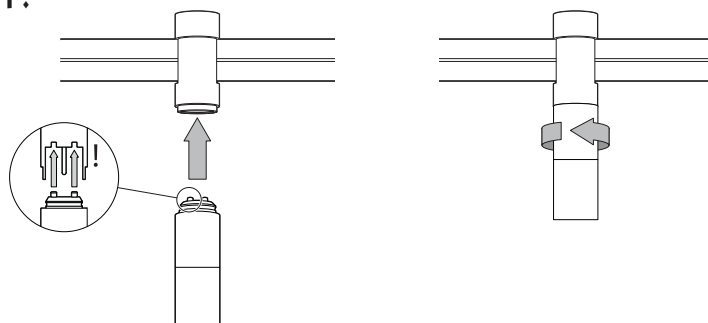
**CAUTION** the luminaire may be extremely hot. Allow to cool before touching.

- Twist snoot anti-clockwise and remove.
- To reattach snoot, align indicators as shown and twist clockwise until you hear a click.

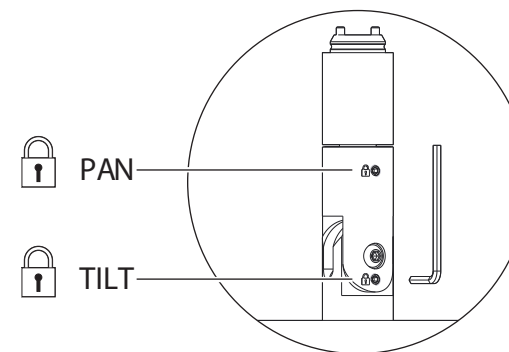
### 5. Changing the micro lens

- Unscrew the micro lens cap until fully detached.
- Remove the micro lens and replace with alternative micro lens ensuring it is installed flat. Reattach micro lens cap.

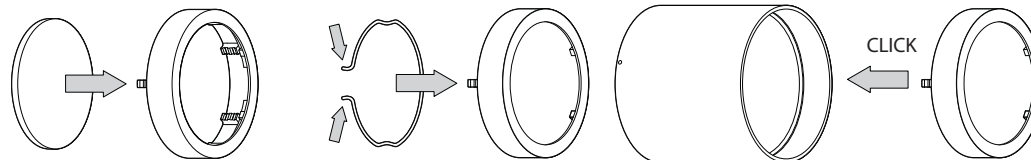
1.



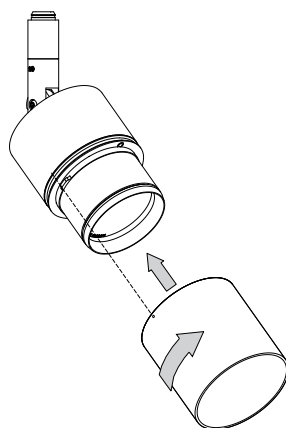
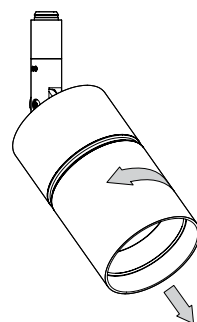
2.



3.



4.



5.

