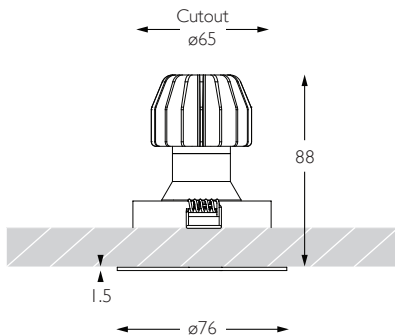


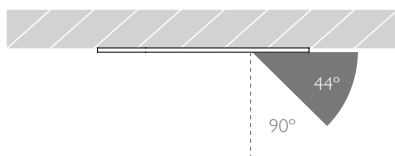
# MINIMO 11 | ADJUSTABLE

Luminaires  
spec sheet RCD-624

ULTRA NARROW SPOT | FLAT BEZEL | PINHOLE APERTURE

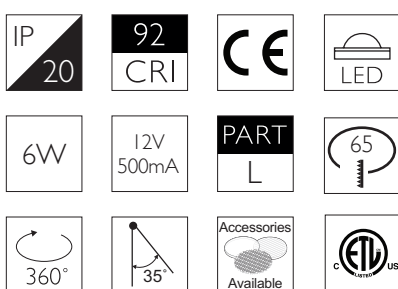


Glare Diagram



Cut Off: 44°

Glare Comfort Cut Off: 90°



## Technical Description

Minimo 11 Adjustable is a compact recessed LED luminaire offering full adjustability with 360° pan and 35° tilt without breaking the ceiling line. Minimo 11 is perfect for use in colour-critical applications with 92CRI delivered from a single source LED module and available in two colour temperatures as standard. Tool-less, site changeable beam angles allow flexibility in varying environments. Machined from aerospace grade 6063-T6 aluminium, Minimo 11 Adjustable features a flat, discreet bezel and 33mm pinhole aperture for a minimal and extremely low glare solution. Minimo 11 Adjustable delivers a lumen package of 513lm at 6W.

## Mechanical

**Category** Interior use only IP20  
**Material** Machined Aluminium  
**Configuration** Flat | Pinhole Aperture  
**Cutout** ø65mm

**Ceiling Thickness** 3 - 25mm  
**Ceiling Void** 20mm above module  
**Pan** 360° **Tilt** 35°  
**Weight** 221g

## Finishes

**Finishes** Black | White \*  
 \* Please enquire as to the availability of non-standard Finishes

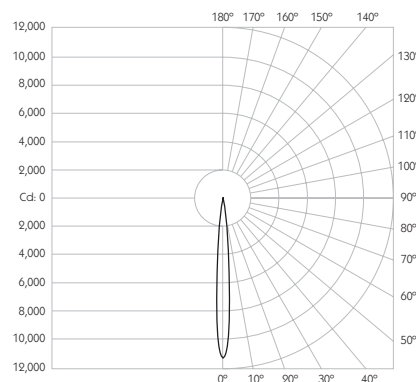
## Optical

**System Power** 6W  
**Module Output** 513lm\*\*  
**Absolute Output** 506lm\*\*  
**LOR** 99%  
**Glare Cut Off** 44°  
**Glare Comfort Cut Off** 90°

**Colour Temperature** 2700K | 3000K  
**CRI** 92 Typ  
**TM-30** Rf: 90 Rg: 99  
**Beam Angle** 9°  
**Gear Type** Dimmable Options Available  
**Gear Location** Remote

\*\* Photometry shown is correct for 3000K module. Please enquire for 2700K module output.

Product Photometry independently tested in accordance with LM-79



Distance	Beam Diameter	Illuminance (lx)
1m	0.16m	11,214 lx
2m	0.31m	2,804 lx
3m	0.47m	1,246 lx
4m	0.63m	701 lx
5m	0.79m	449 lx

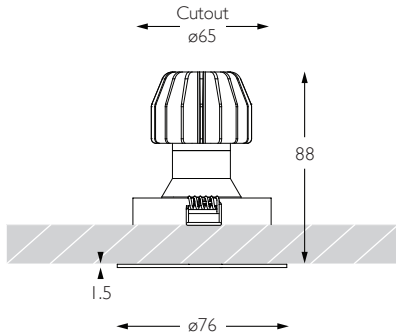
Luminaire Code	Finish	CCT	CRI	Beam Angle
RCD-624	<b>BK</b> Black <b>WH</b> White	<b>27</b> 2700K <b>30</b> 3000K	<b>92</b> 92 CRI	<b>09</b> 9° Ultra Narrow Spot

RCD-624	-	-	92	09
---------	---	---	----	----

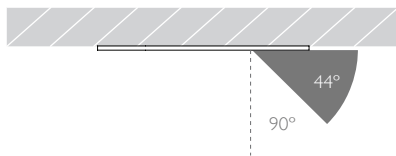
# MINIMO 11 | ADJUSTABLE

Luminaires  
spec sheet RCD-624

NARROW SPOT | FLAT BEZEL | PINHOLE APERTURE

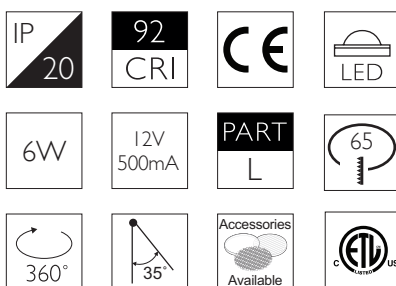


Glare Diagram



Cut Off: 44°

Glare Comfort Cut Off: 90°



## Technical Description

Minimo 11 Adjustable is a compact recessed LED luminaire offering full adjustability with 360° pan and 35° tilt without breaking the ceiling line. Minimo 11 is perfect for use in colour-critical applications with 92CRI delivered from a single source LED module and available in two colour temperatures as standard. Tool-less, site changeable beam angles allow flexibility in varying environments. Machined from aerospace grade 6063-T6 aluminium, Minimo 11 Adjustable features a flat, discreet bezel and 33mm pinhole aperture for a minimal and extremely low glare solution. Minimo 11 Adjustable delivers a lumen package of 513lm at 6W.

## Mechanical

**Category** Interior use only IP20  
**Material** Machined Aluminium  
**Configuration** Flat | Pinhole Aperture  
**Cutout**  $\varnothing$ 65mm

**Ceiling Thickness** 3 - 25mm  
**Ceiling Void** 20mm above module  
**Pan** 360° **Tilt** 35°  
**Weight** 221g

## Finishes

**Finishes** Black | White \*  
 \* Please enquire as to the availability of non-standard Finishes

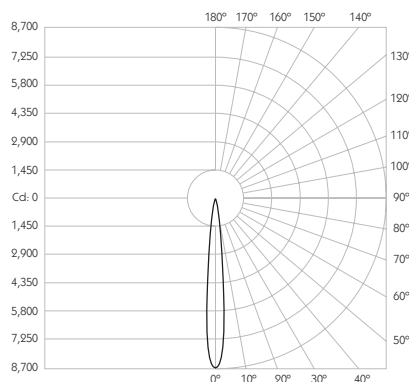
## Optical

**System Power** 6W  
**Module Output** 513lm\*\*  
**Absolute Output** 504lm\*\*  
**LOR** 98%  
**Glare Cut Off** 44°  
**Glare Comfort Cut Off** 90°

**Colour Temperature** 2700K | 3000K  
**CRI** 92 Typ  
**TM-30** Rf: 90 Rg: 99  
**Beam Angle** 11°  
**Gear Type** Dimmable Options Available  
**Gear Location** Remote

\*\* Photometry shown is correct for 3000K module. Please enquire for 2700K module output.

Product Photometry independently tested in accordance with LM-79



Distance	Beam Diameter	Illuminance (lx)
1m	0.19m	8,614 lx
2m	0.39m	2,154 lx
3m	0.58m	957 lx
4m	0.77m	538 lx
5m	0.96m	345 lx

Luminaire Code	Finish	CCT	CRI	Beam Angle
RCD-624	<b>BK</b> Black <b>WH</b> White	<b>27</b> 2700K <b>30</b> 3000K	<b>92</b> 92 CRI	<b>11</b> 11° Narrow Spot

RCD-624	-	-	92	11
---------	---	---	----	----

PRECISION  
LIGHTING

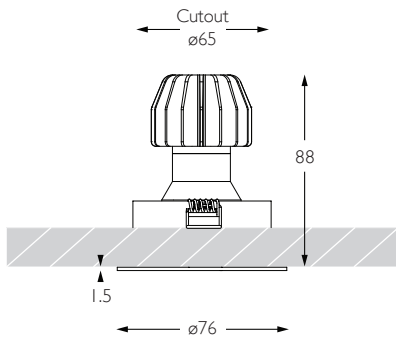
SALES@PRECISIONLIGHTING.CO.UK  
WWW.PRECISIONLIGHTING.CO.UK

42 RIVERSIDE ROAD  
LONDON SW17 0BA  
t. +44 (0) 20 8947 6616  
f. +44 (0) 20 8286 6626

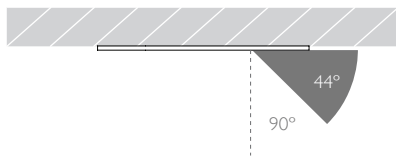
# MINIMO 11 | ADJUSTABLE

Luminaires  
spec sheet RCD-624

SPOT | FLAT BEZEL | PINHOLE APERTURE

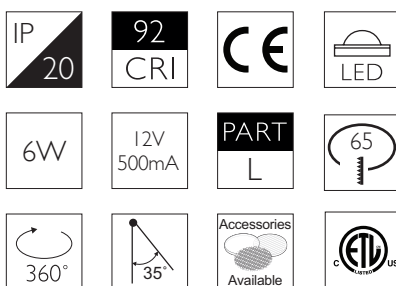


Glare Diagram



Cut Off: 44°

Glare Comfort Cut Off: 90°



## Technical Description

Minimo 11 Adjustable is a compact recessed LED luminaire offering full adjustability with 360° pan and 35° tilt without breaking the ceiling line. Minimo 11 is perfect for use in colour-critical applications with 92CRI delivered from a single source LED module and available in two colour temperatures as standard. Tool-less, site changeable beam angles allow flexibility in varying environments. Machined from aerospace grade 6063-T6 aluminium, Minimo 11 Adjustable features a flat, discreet bezel and 33mm pinhole aperture for a minimal and extremely low glare solution. Minimo 11 Adjustable delivers a lumen package of 513lm at 6W.

## Mechanical

**Category** Interior use only IP20  
**Material** Machined Aluminium  
**Configuration** Flat | Pinhole Aperture  
**Cutout** ø65mm

**Ceiling Thickness** 3 - 25mm  
**Ceiling Void** 20mm above module  
**Pan** 360° **Tilt** 35°  
**Weight** 221g

## Finishes

**Finishes** Black | White \*

\* Please enquire as to the availability of non-standard Finishes

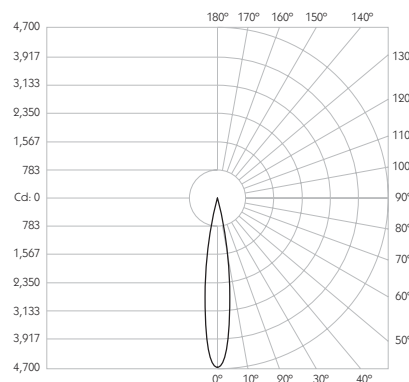
## Optical

**System Power** 6W  
**Module Output** 513lm\*\*  
**Absolute Output** 506lm\*\*  
**LOR** 99%  
**Glare Cut Off** 44°  
**Glare Comfort Cut Off** 90°

**Colour Temperature** 2700K | 3000K  
**CRI** 92 Typ  
**TM-30** Rf: 90 Rg: 99  
**Beam Angle** 15°  
**Gear Type** Dimmable Options Available  
**Gear Location** Remote

\*\* Photometry shown is correct for 3000K module. Please enquire for 2700K module output.

Product Photometry independently tested in accordance with LM-79



Distance	Beam Diameter	Footcandle (lx)
1m	0.26m	4,666 lx
2m	0.53m	1,167 lx
3m	0.79m	518 lx
4m	1.05m	292 lx
5m	1.32m	187 lx

Luminaire Code

RCD-624

Finish

BK  
WH

Black  
White

CCT

27  
30

2700K  
3000K

CRI

92

92 CRI

Beam Angle

15

15° Spot

RCD-624

92

15

PRECISION  
LIGHTING

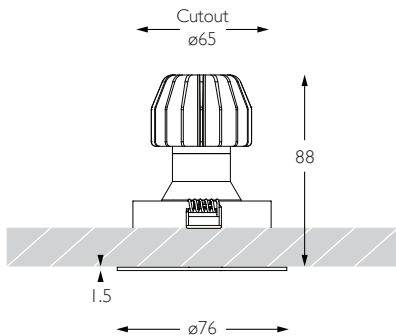
SALES@PRECISIONLIGHTING.CO.UK  
WWW.PRECISIONLIGHTING.CO.UK

42 RIVERSIDE ROAD  
LONDON SW17 0BA  
t. +44 (0) 20 8947 6616  
f. +44 (0) 20 8286 6626

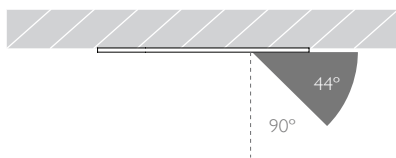
# MINIMO 11 | ADJUSTABLE

Luminaires  
spec sheet RCD-624

FLOOD | FLAT BEZEL | PINHOLE APERTURE

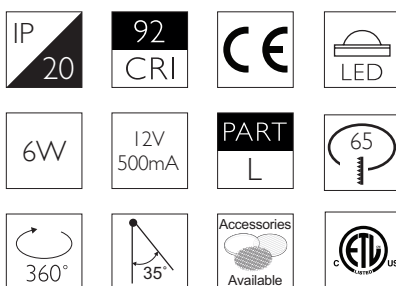


Glare Diagram



Cut Off: 44°

Glare Comfort Cut Off: 90°



## Technical Description

Minimo 11 Adjustable is a compact recessed LED luminaire offering full adjustability with 360° pan and 35° tilt without breaking the ceiling line. Minimo 11 is perfect for use in colour-critical applications with 92CRI delivered from a single source LED module and available in two colour temperatures as standard. Tool-less, site changeable beam angles allow flexibility in varying environments. Machined from aerospace grade 6063-T6 aluminium, Minimo 11 Adjustable features a flat, discreet bezel and 33mm pinhole aperture for a minimal and extremely low glare solution. Minimo 11 Adjustable delivers a lumen package of 513lm at 6W.

## Mechanical

**Category** Interior use only IP20  
**Material** Machined Aluminium  
**Configuration** Flat | Pinhole Aperture  
**Cutout** ø65mm

**Ceiling Thickness** 3 - 25mm  
**Ceiling Void** 20mm above module  
**Pan** 360° **Tilt** 35°  
**Weight** 221g

## Finishes

**Finishes** Black | White \*  
 \* Please enquire as to the availability of non-standard Finishes

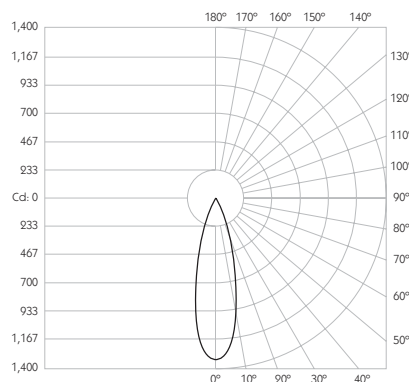
## Optical

**System Power** 6W  
**Module Output** 513lm\*\*  
**Absolute Output** 439lm\*\*  
**LOR** 86%  
**Glare Cut Off** 44°  
**Glare Comfort Cut Off** 90°

**Colour Temperature** 2700K | 3000K  
**CRI** 92 Typ  
**TM-30** Rf: 90 Rg: 99  
**Beam Angle** 25°  
**Gear Type** Dimmable Options Available  
**Gear Location** Remote

\*\* Photometry shown is correct for 3000K module. Please enquire for 2700K module output.

Product Photometry independently tested in accordance with LM-79



Distance	Beam Diameter	Illuminance (lx)
1m	0.44m	1,416 lx
2m	0.89m	354 lx
3m	1.33m	157 lx
4m	1.77m	89 lx
5m	2.22m	57 lx

Luminaire Code	Finish	CCT	CRI	Beam Angle
RCD-624	<b>BK</b> Black <b>WH</b> White	<b>27</b> 2700K <b>30</b> 3000K	<b>92</b> 92 CRI	<b>25</b> 25° Flood

RCD-624	-	-	92	25
---------	---	---	----	----

PRECISION  
LIGHTING

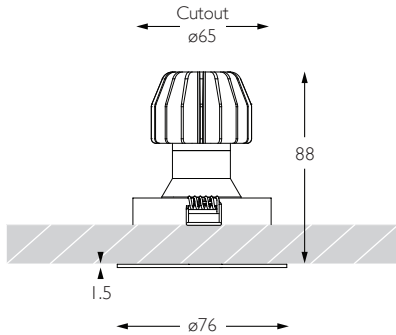
SALES@PRECISIONLIGHTING.CO.UK  
WWW.PRECISIONLIGHTING.CO.UK

42 RIVERSIDE ROAD  
LONDON SW17 0BA  
t. +44 (0) 20 8947 6616  
f. +44 (0) 20 8286 6626

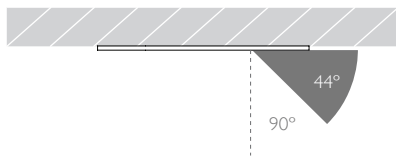
# MINIMO 11 | ADJUSTABLE

Luminaires  
spec sheet RCD-624

WIDE FLOOD | FLAT BEZEL | PINHOLE APERTURE

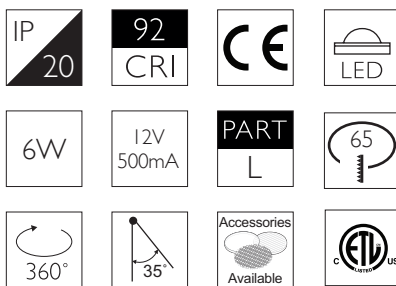


Glare Diagram



Cut Off: 44°

Glare Comfort Cut Off: 90°



## Technical Description

Minimo 11 Adjustable is a compact recessed LED luminaire offering full adjustability with 360° pan and 35° tilt without breaking the ceiling line. Minimo 11 is perfect for use in colour-critical applications with 92CRI delivered from a single source LED module and available in two colour temperatures as standard. Tool-less, site changeable beam angles allow flexibility in varying environments. Machined from aerospace grade 6063-T6 aluminium, Minimo 11 Adjustable features a flat, discreet bezel and 33mm pinhole aperture for a minimal and extremely low glare solution. Minimo 11 Adjustable delivers a lumen package of 513lm at 6W.

## Mechanical

**Category** Interior use only IP20  
**Material** Machined Aluminium  
**Configuration** Flat | Pinhole Aperture  
**Cutout**  $\varnothing$ 65mm

**Ceiling Thickness** 3 - 25mm  
**Ceiling Void** 20mm above module  
**Pan** 360° **Tilt** 35°  
**Weight** 221g

## Finishes

**Finishes** Black | White \*  
 \* Please enquire as to the availability of non-standard Finishes

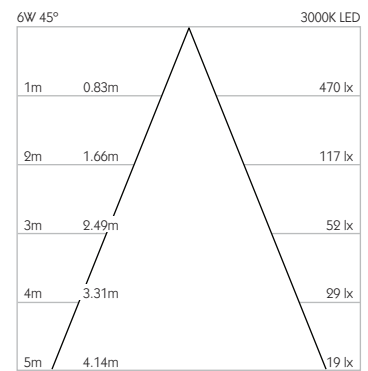
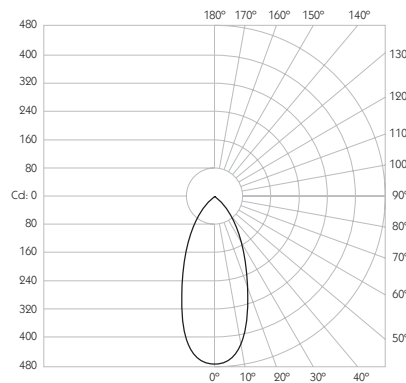
## Optical

**System Power** 6W  
**Module Output** 513lm\*\*  
**Absolute Output** 420lm\*\*  
**LOR** 82%  
**Glare Cut Off** 44°  
**Glare Comfort Cut Off** 90°

**Colour Temperature** 2700K | 3000K  
**CRI** 92 Typ  
**TM-30** Rf: 90 Rg: 99  
**Beam Angle** 45°  
**Gear Type** Dimmable Options Available  
**Gear Location** Remote

\*\* Photometry shown is correct for 3000K module. Please enquire for 2700K module output.

Product Photometry independently tested in accordance with LM-79



Luminaire Code	Finish	CCT	CRI	Beam Angle
RCD-624	<b>BK</b> Black <b>WH</b> White	<b>27</b> 2700K <b>30</b> 3000K	<b>92</b> 92 CRI	<b>45</b> 45° Wide Flood

RCD-624	-	-	92	45
---------	---	---	----	----

PRECISION  
LIGHTING

SALES@PRECISIONLIGHTING.CO.UK  
WWW.PRECISIONLIGHTING.CO.UK

42 RIVERSIDE ROAD  
LONDON SW17 0BA  
t. +44 (0) 20 8947 6616  
f. +44 (0) 20 8286 6626