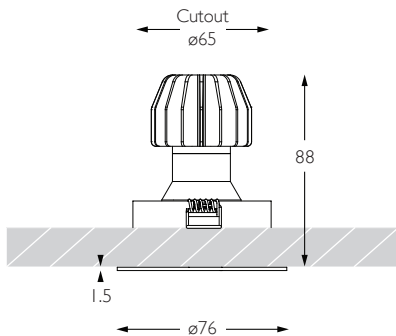
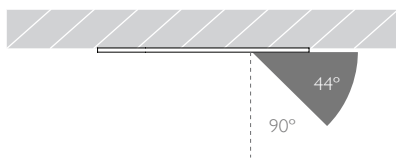


ULTRA NARROW SPOT | FLAT BEZEL | PINHOLE APERTURE

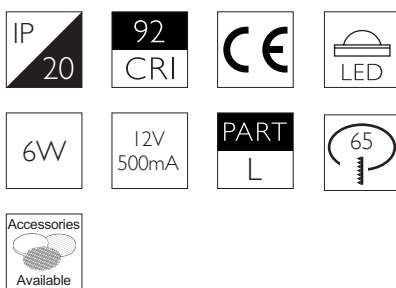


Glare Diagram



Cut Off: 44°

Glare Comfort Cut Off: 90°



Technical Description

Minimo 11 Fixed is a recessed LED luminaire providing high performance accent lighting from a compact source with minimal glare. Minimo 11 is perfect for use in colour-critical applications with 92CRI delivered from a single source LED module and available in two colour temperatures as standard. Tool-less, site changeable beam angles allow flexibility in varying environments. Machined from aerospace grade 6063-T6 aluminium, Minimo 11 Fixed features a flat, discreet bezel and 33mm pinhole aperture for a minimal and extremely low glare solution. Minimo 11 Fixed delivers a lumen package of 513lm at 6W.

Mechanical

Category Interior use only IP20

Material Machined Aluminium

Configuration Flat | Pinhole Aperture

Cutout $\varnothing 65\text{mm}$

Ceiling Thickness 3 - 25mm

Ceiling Void 20mm above module

Weight 236g

Finishes

Finishes Black | White *

* Please enquire as to the availability of non-standard Finishes

Optical

System Power 6W

Module Output 513lm**

Absolute Output 506lm**

LOR 99%

Glare Cut Off 44°

Glare Comfort Cut Off 90°

** Photometry shown is correct for 3000K module. Please enquire for 2700K module output.

Colour Temperature 2700K | 3000K

CRI 92 Typ

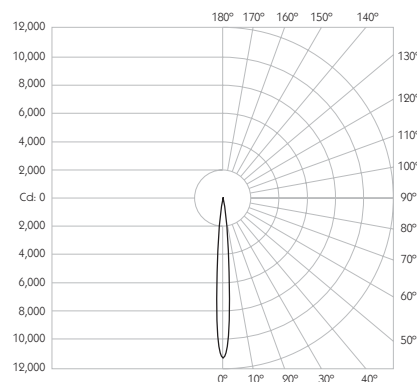
TM-30 Rf: 90 Rg: 99

Beam Angle 9°

Gear Type Dimmable Options Available

Gear Location Remote

Product Photometry independently tested in accordance with LM-79



Distance	Beam Diameter	Illuminance (lx)
1m	0.16m	11,214 lx
2m	0.31m	2,804 lx
3m	0.47m	1,246 lx
4m	0.63m	701 lx
5m	0.79m	449 lx

Luminaire Code

RCD-606

Finish

BK

Black

WH

White

CCT

27

2700K

30

3000K

CRI

92

92 CRI

Beam Angle

09

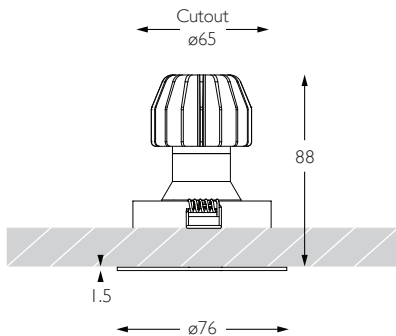
9° Ultra Narrow Spot

RCD-606

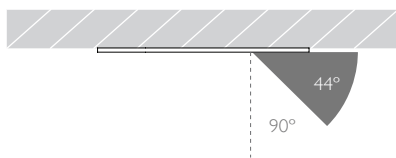
92

09

NARROW SPOT | FLAT BEZEL | PINHOLE APERTURE

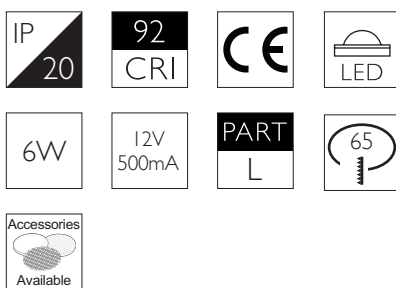


Glare Diagram



Cut Off: 44°

Glare Comfort Cut Off: 90°



Technical Description

Minimo 11 Fixed is a recessed LED luminaire providing high performance accent lighting from a compact source with minimal glare. Minimo 11 is perfect for use in colour-critical applications with 92CRI delivered from a single source LED module and available in two colour temperatures as standard. Tool-less, site changeable beam angles allow flexibility in varying environments. Machined from aerospace grade 6063-T6 aluminium, Minimo 11 Fixed features a flat, discreet bezel and 33mm pinhole aperture for a minimal and extremely low glare solution. Minimo 11 Fixed delivers a lumen package of 513lm at 6W.

Mechanical

Category Interior use only IP20

Material Machined Aluminium

Configuration Flat | Pinhole Aperture

Cutout $\varnothing 65\text{mm}$

Ceiling Thickness 3 - 25mm

Ceiling Void 20mm above module

Weight 236g

Finishes

Finishes Black | White *

* Please enquire as to the availability of non-standard Finishes

Optical

System Power 6W

Module Output 513lm**

Absolute Output 504lm**

LOR 98%

Glare Cut Off 44°

Glare Comfort Cut Off 90°

** Photometry shown is correct for 3000K module. Please enquire for 2700K module output.

Colour Temperature 2700K | 3000K

CRI 92 Typ

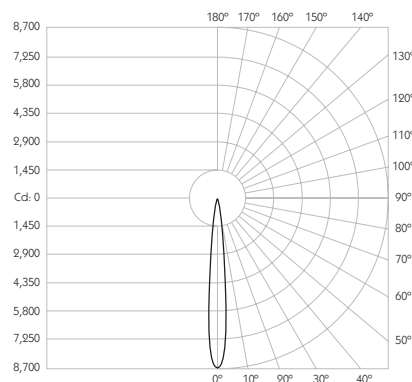
TM-30 Rf: 90 Rg: 99

Beam Angle 11°

Gear Type Dimmable Options Available

Gear Location Remote

Product Photometry independently tested in accordance with LM-79



Distance	Beam Diameter	Illuminance (lx)
1m	0.19m	8,614 lx
2m	0.39m	2,154 lx
3m	0.58m	957 lx
4m	0.77m	538 lx
5m	0.96m	345 lx

Luminaire Code

RCD-606

Finish

BK

Black

WH

White

CCT

27

2700K

30

3000K

CRI

92

92 CRI

Beam Angle

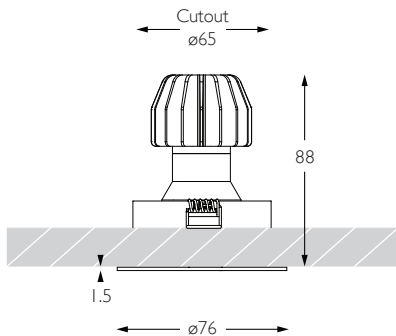
11

11° Narrow Spot

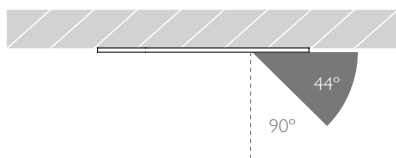
RCD-606

92

11

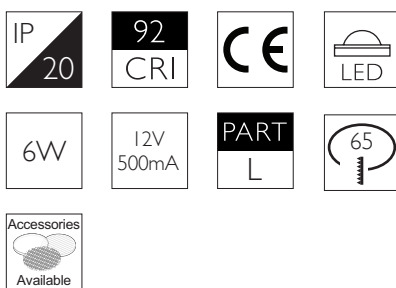


Glare Diagram



Cut Off: 44°

Glare Comfort Cut Off: 90°



Technical Description

Minimo 11 Fixed is a recessed LED luminaire providing high performance accent lighting from a compact source with minimal glare. Minimo 11 is perfect for use in colour-critical applications with 92CRI delivered from a single source LED module and available in two colour temperatures as standard. Tool-less, site changeable beam angles allow flexibility in varying environments. Machined from aerospace grade 6063-T6 aluminium, Minimo 11 Fixed features a flat, discreet bezel and 33mm pinhole aperture for a minimal and extremely low glare solution. Minimo 11 Fixed delivers a lumen package of 513lm at 6W.

Mechanical

Category Interior use only IP20

Material Machined Aluminium

Configuration Flat | Pinhole Aperture

Cutout \varnothing 65mm

Ceiling Thickness 3 - 25mm

Ceiling Void 20mm above module

Weight 236g

Finishes

Finishes Black | White *

* Please enquire as to the availability of non-standard Finishes

Optical

System Power 6W

Module Output 513lm**

Absolute Output 506lm**

LOR 99%

Glare Cut Off 44°

Glare Comfort Cut Off 90°

** Photometry shown is correct for 3000K module. Please enquire for 2700K module output.

Colour Temperature 2700K | 3000K

CRI 92 Typ

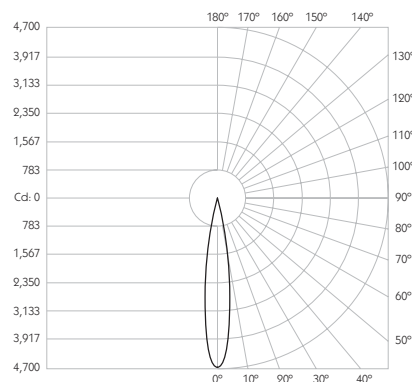
TM-30 Rf: 90 Rg: 99

Beam Angle 15°

Gear Type Dimmable Options Available

Gear Location Remote

Product Photometry independently tested in accordance with LM-79



Distance	Beam Diameter	Footcandle (lx)
1m	0.26m	4,666 lx
2m	0.53m	1,167 lx
3m	0.79m	518 lx
4m	1.05m	292 lx
5m	1.32m	187 lx

Luminaire Code

RCD-606

Finish

BK

Black

WH

White

CCT

27

2700K

30

3000K

CRI

92

92 CRI

Beam Angle

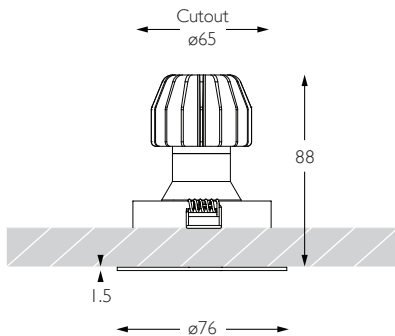
15

15° Spot

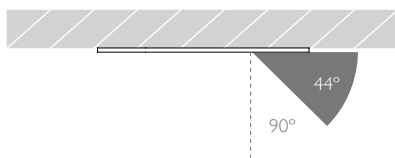
RCD-606

92

15

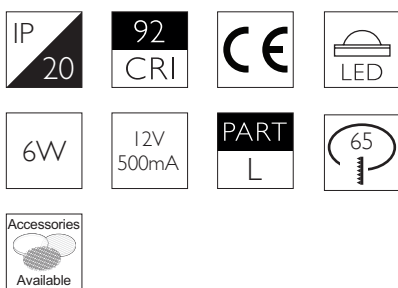


Glare Diagram



Cut Off: 44°

Glare Comfort Cut Off: 90°



Technical Description

Minimo 11 Fixed is a recessed LED luminaire providing high performance accent lighting from a compact source with minimal glare. Minimo 11 is perfect for use in colour-critical applications with 92CRI delivered from a single source LED module and available in two colour temperatures as standard. Tool-less, site changeable beam angles allow flexibility in varying environments. Machined from aerospace grade 6063-T6 aluminium, Minimo 11 Fixed features a flat, discreet bezel and 33mm pinhole aperture for a minimal and extremely low glare solution. Minimo 11 Fixed delivers a lumen package of 513lm at 6W.

Mechanical

Category Interior use only IP20

Material Machined Aluminium

Configuration Flat | Pinhole Aperture

Cutout $\varnothing 65\text{mm}$

Ceiling Thickness 3 - 25mm

Ceiling Void 20mm above module

Weight 236g

Finishes

Finishes Black | White *

* Please enquire as to the availability of non-standard Finishes

Optical

System Power 6W

Module Output 513lm**

Absolute Output 439lm**

LOR 86%

Glare Cut Off 44°

Glare Comfort Cut Off 90°

** Photometry shown is correct for 3000K module. Please enquire for 2700K module output.

Colour Temperature 2700K | 3000K

CRI 92 Typ

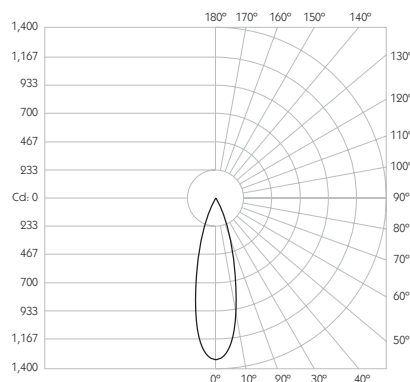
TM-30 Rf: 90 Rg: 99

Beam Angle 25°

Gear Type Dimmable Options Available

Gear Location Remote

Product Photometry independently tested in accordance with LM-79



Distance	Beam Diameter	Footcandle (lx)
1m	0.44m	1,416 lx
2m	0.89m	354 lx
3m	1.33m	157 lx
4m	1.77m	89 lx
5m	2.22m	57 lx

Luminaire Code

RCD-606

Finish

BK
WH

Black
White

CCT

27
30

2700K
3000K

CRI

92

92 CRI

Beam Angle

25

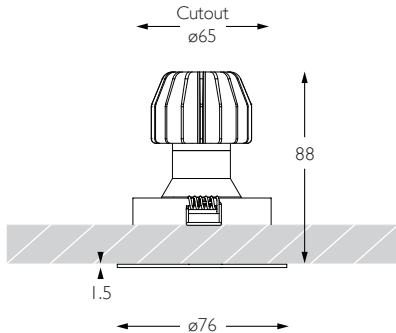
25° Flood

RCD-606

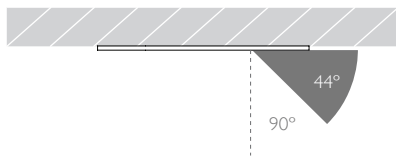
92

25

WIDE FLOOD | FLAT BEZEL | PINHOLE APERTURE

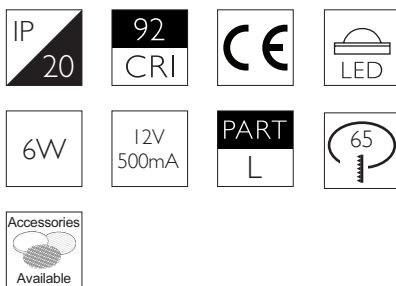


Glare Diagram



Cut Off: 44°

Glare Comfort Cut Off: 90°



Technical Description

Minimo 11 Fixed is a recessed LED luminaire providing high performance accent lighting from a compact source with minimal glare. Minimo 11 is perfect for use in colour-critical applications with 92CRI delivered from a single source LED module and available in two colour temperatures as standard. Tool-less, site changeable beam angles allow flexibility in varying environments. Machined from aerospace grade 6063-T6 aluminium, Minimo 11 Fixed features a flat, discreet bezel and 33mm pinhole aperture for a minimal and extremely low glare solution. Minimo 11 Fixed delivers a lumen package of 513lm at 6W.

Mechanical

Category Interior use only IP20

Material Machined Aluminium

Configuration Flat | Pinhole Aperture

Cutout \varnothing 65mm

Ceiling Thickness 3 - 25mm

Ceiling Void 20mm above module

Weight 236g

Finishes

Finishes Black | White *

* Please enquire as to the availability of non-standard Finishes

Optical

System Power 6W

Module Output 513lm**

Absolute Output 420lm**

LOR 82%

Glare Cut Off 44°

Glare Comfort Cut Off 90°

** Photometry shown is correct for 3000K module. Please enquire for 2700K module output.

Colour Temperature 2700K | 3000K

CRI 92 Typ

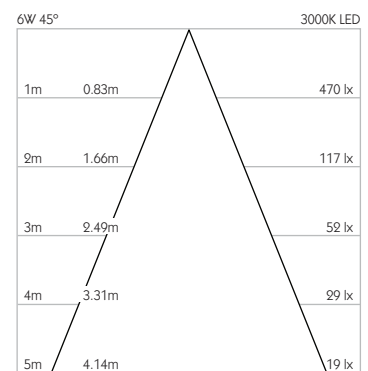
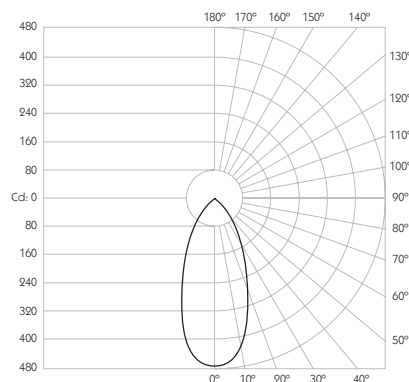
TM-30 Rf: 90 Rg: 99

Beam Angle 45°

Gear Type Dimmable Options Available

Gear Location Remote

Product Photometry independently tested in accordance with LM-79



Luminaire Code

RCD-606

Finish

BK Black
WH White

CCT

27 2700K
30 3000K

CRI

92 92 CRI

Beam Angle

45 45° Wide Flood

RCD-606

92

45