

NARROW SPOT



Category Interior use only IP20

Material Machined Aluminium | Machined Brass

Finish Aluminium | Rubbed Bronze | Polished Brass | Black | White | Custom

Trim Plaster-in Trimless

Cutout ø57mm

Ceiling Thickness 5 - 25mm

Minimum Ceiling Void 20mm spacing above module

Tilt 25°

System Power 1.6W

Module Output 140lm **Absolute Output** 124lm

LOR 89%

Glare Cut Off 45° in vertical position

Glare Comfort Cut Off 85° in vertical position

Colour Temperature 3000K | 2700K | *

CRI Ra: 95 **TM-30** Rf: 93 Rg: 99

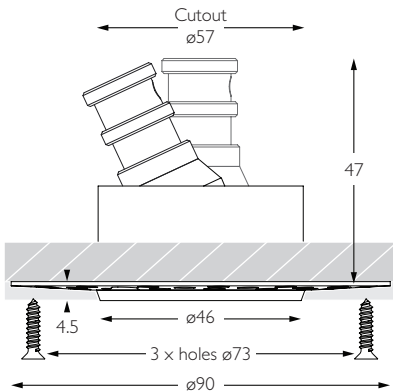
Optic 12°

Gear Type Dimmable options available

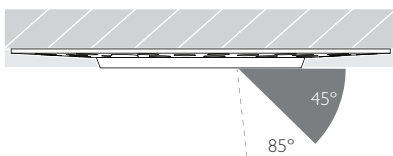
Gear Location Remote - No access through cutout for dimmable drivers

Weight AL BK WH - 124g | RB PB - 135g

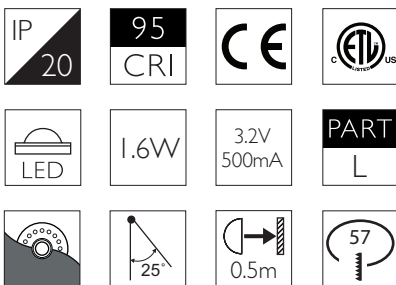
* Please enquire as to the availability of non-standard Colour Temperatures



Glare Diagram

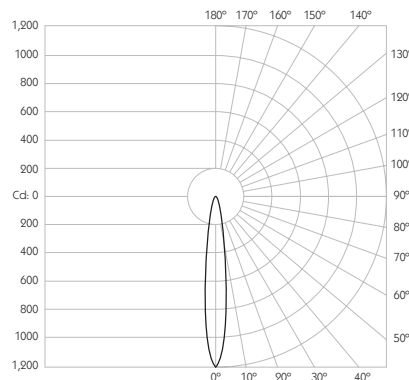


Cut Off: 45°
Glare Comfort Cut Off: 85°



Minimo Tilt Trimless is a miniature recessed LED luminaire providing high performance accent lighting from a compact source and offering 25° tilt. Even at full tilt, the luminaire does not protrude from the bezel. With 95CRI, Minimo Tilt Trimless is perfect for use in colour-critical applications. Tool-less, site changeable optics allow flexibility in varying environments. Minimo Tilt Trimless is machined from aerospace grade 6063-T6 aluminium and brass, is available as standard in white, black, polished brass, rubbed bronze and brushed aluminium finishes, and delivers a lumen package of 140lm at 1.6W.

Product Photometry independently tested in accordance with LM-79



Distance	Beam Diameter	Illuminance (lx)
1m	0.21m	1,193 lx
2m	0.42m	298 lx
3m	0.63m	133 lx
4m	0.84m	75 lx
5m	1.05m	48 lx



Trimless

	RCT-621-AL-XX9512
	RCT-621-RB-XX9512
	RCT-621-PB-XX9512
	RCT-621-BK-XX9512
	RCT-621-WH-XX9512

For 3000K Substitute XX with 30 | For 2700K Substitute XX with 27

FLOOD



Category Interior use only IP20

Material Machined Aluminium | Machined Brass

Finish Aluminium | Rubbed Bronze | Polished Brass | Black | White | Custom

Trim Plaster-in Trimless

Cutout ø57mm

Ceiling Thickness 5 - 25mm

Minimum Ceiling Void 20mm spacing above module

Tilt 25°

System Power 1.6W

Module Output 140lm **Absolute Output** 113lm

LOR 81%

Glare Cut Off 45° in vertical position

Glare Comfort Cut Off 85° in vertical position

Colour Temperature 3000K | 2700K | *

CRI Ra: 95 **TM-30** Rf: 93 Rg: 99

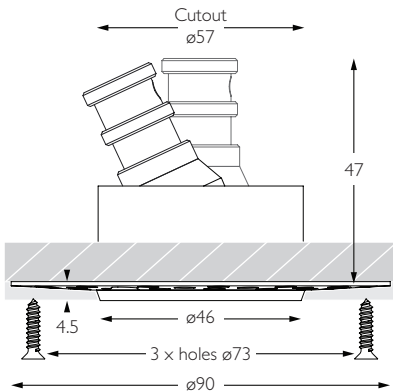
Optic 30°

Gear Type Dimmable options available

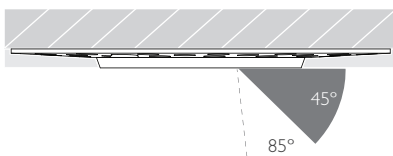
Gear Location Remote - No access through cutout for dimmable drivers

Weight AL BK WH - 124g | RB PB - 135g

* Please enquire as to the availability of non-standard Colour Temperatures

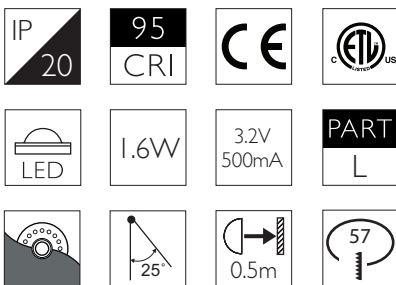


Glare Diagram



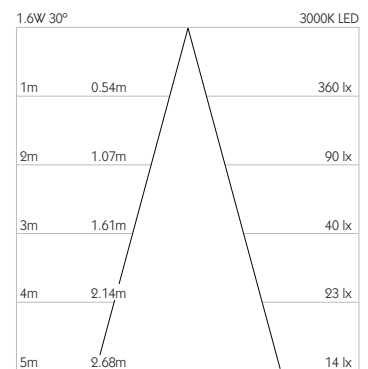
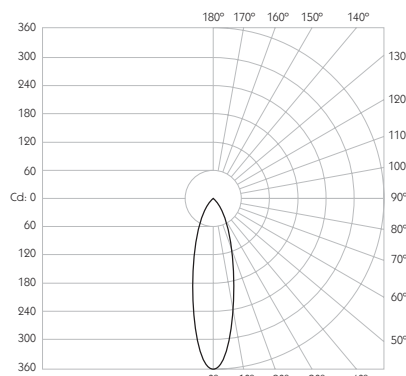
Cut Off: 45°

Glare Comfort Cut Off: 85°



Minimo Tilt Trimless is a miniature recessed LED luminaire providing high performance accent lighting from a compact source and offering 25° tilt. Even at full tilt, the luminaire does not protrude from the bezel. With 95CRI, Minimo Tilt Trimless is perfect for use in colour-critical applications. Tool-less, site changeable optics allow flexibility in varying environments. Minimo Tilt Trimless is machined from aerospace grade 6063-T6 aluminium and brass, is available as standard in white, black, polished brass, rubbed bronze and brushed aluminium finishes, and delivers a lumen package of 140lm at 1.6W.

Product Photometry independently tested in accordance with LM-79



Trimless

	RCT-621-AL-XX9530
	RCT-621-RB-XX9530
	RCT-621-PB-XX9530
	RCT-621-BK-XX9530
	RCT-621-WH-XX9530

For 3000K Substitute XX with 30 | For 2700K Substitute XX with 27

**PRECISION
LIGHTING**

SALES@PRECISIONLIGHTING.CO.UK

WWW.PRECISIONLIGHTING.CO.UK

42 RIVERSIDE ROAD
LONDON SW17 0BA

t. +44 (0) 20 8947 6616
f. +44 (0) 20 8286 6626

WIDE FLOOD



Category Interior use only IP20

Material Machined Aluminium | Machined Brass

Finish Aluminium | Rubbed Bronze | Polished Brass | Black | White | Custom

Trim Plaster-in Trimless

Cutout ø57mm

Ceiling Thickness 5 - 25mm

Minimum Ceiling Void 20mm spacing above module

Tilt 25°

System Power 1.6W

Module Output 140lm **Absolute Output** 124lm

LOR 89%

Glare Cut Off 45° in vertical position

Glare Comfort Cut Off 85° in vertical position

Colour Temperature 3000K | 2700K | *

CRI Ra: 95 **TM-30** Rf: 93 Rg: 99

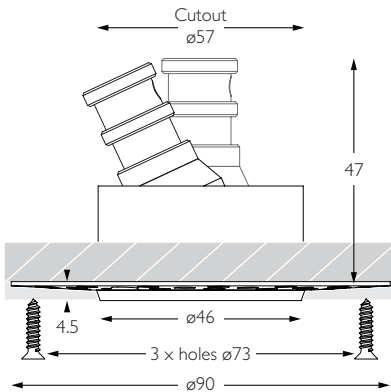
Optic 60°

Gear Type Dimmable options available

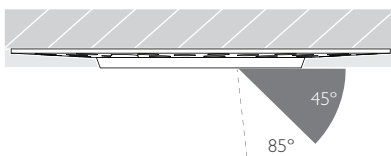
Gear Location Remote - No access through cutout for dimmable drivers

Weight AL BK WH - 124g | RB PB - 135g

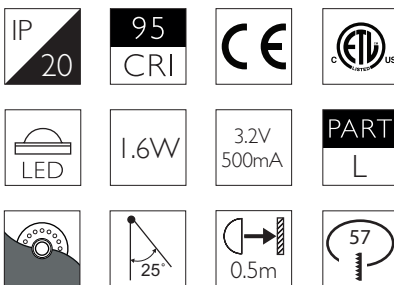
* Please enquire as to the availability of non-standard Colour Temperatures



Glare Diagram

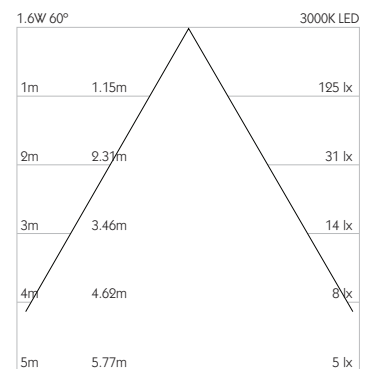
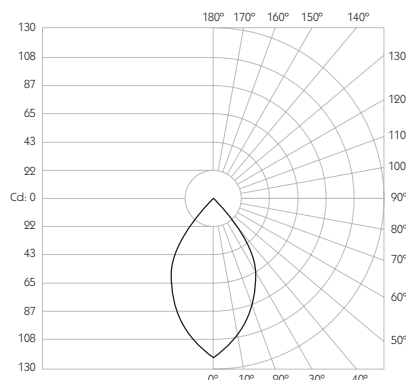


Cut Off: 45°
Glare Comfort Cut Off: 85°



Minimo Tilt Trimless is a miniature recessed LED luminaire providing high performance accent lighting from a compact source and offering 25° tilt. Even at full tilt, the luminaire does not protrude from the bezel. With 95CRI, Minimo Tilt Trimless is perfect for use in colour-critical applications. Tool-less, site changeable optics allow flexibility in varying environments. Minimo Tilt Trimless is machined from aerospace grade 6063-T6 aluminium and brass, is available as standard in white, black, polished brass, rubbed bronze and brushed aluminium finishes, and delivers a lumen package of 140lm at 1.6W.

Product Photometry independently tested in accordance with LM-79



Trimless

	RCT-621-AL-XX9560
	RCT-621-RB-XX9560
	RCT-621-PB-XX9560
	RCT-621-BK-XX9560
	RCT-621-WH-XX9560

For 3000K Substitute XX with 30 | For 2700K Substitute XX with 27