

NARROW SPOT



**Category** Interior use only IP20

**Material** Machined Aluminium | Machined Brass

**Finish** Aluminium | Rubbed Bronze | Polished Brass | Black | White | Custom

**Cutout** ø44mm

**Ceiling Thickness** 5 - 25mm

**Minimum Ceiling Void** 20mm spacing above module

**Tilt** 25°

**System Power** 1.6W

**Module Output** 140lm

**Absolute Output** 124lm

**LOR** 89%

**Glare Cut Off** 45° in vertical position

**Glare Comfort Cut Off** 85° in vertical position

**Colour Temperature** 3000K | 2700K | \*

**CRI** Ra: 95 **TM-30** Rf: 93 Rg: 99

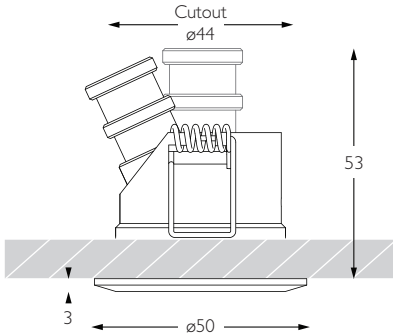
**Optic** 12°

**Gear Type** Dimmable options available

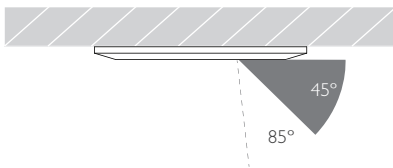
**Gear Location** Remote - No access through cutout for dimmable drivers

**Weight** AL BK WH - 74g | RB PB - 90g

\* Please enquire as to the availability of non-standard Colour Temperatures



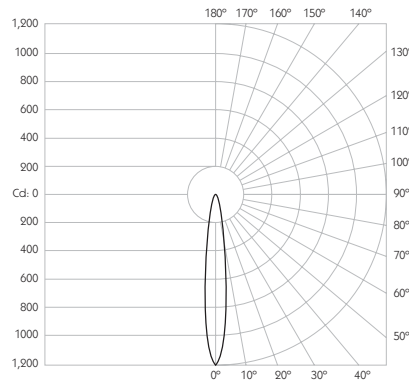
Glare Diagram



Cut Off: 45°  
Glare Comfort Cut Off: 85°

Minimo Tilt is a miniature recessed LED luminaire providing high performance accent lighting from a compact source and offering 25° tilt. Even at full tilt, the luminaire does not protrude from the bezel. With 95CRI, Minimo Tilt is perfect for use in colour-critical applications. Tool-less, site changeable optics allow flexibility in varying environments. Minimo Tilt is machined from aerospace grade 6063-T6 aluminium and brass, is available as standard in white, black, polished brass, rubbed bronze and brushed aluminium finishes, and delivers a lumen package of 140lm at 1.6W.

Product Photometry independently tested in accordance with LM-79



Distance	Beam Diameter	Lumen Output
1m	0.21m	1,193 lx
2m	0.42m	298 lx
3m	0.63m	133 lx
4m	0.84m	75 lx
5m	1.05m	48 lx

IP 20	95 CRI	CE	ETL US
LED	1.6W	3.2V 500mA	PART L
25° Tilt	44mm Cutout	0.5m Depth	



Circular Bezel

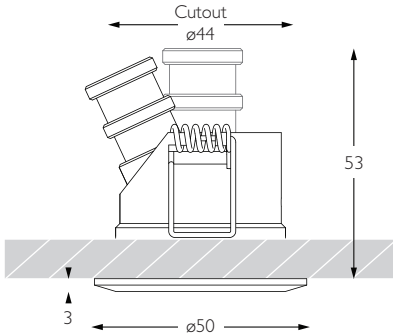
Grey	RC-621-AL-XX9512
Brown	RC-621-RB-XX9512
Gold	RC-621-PB-XX9512
Black	RC-621-BK-XX9512
White	RC-621-WH-XX9512

For 3000K Substitute XX with 30 | For 2700K Substitute XX with 27

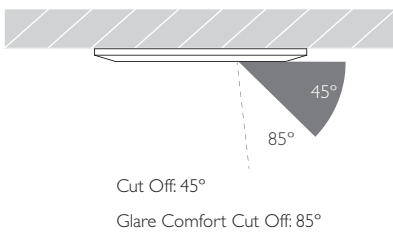
FLOOD



**Category** Interior use only IP20  
**Material** Machined Aluminium | Machined Brass  
**Finish** Aluminium | Rubbed Bronze | Polished Brass | Black | White | Custom  
**Cutout** ø44mm  
**Ceiling Thickness** 5 - 25mm  
**Minimum Ceiling Void** 20mm spacing above module  
**Tilt** 25°  
**System Power** 1.6W  
**Module Output** 140lm      **Absolute Output** 113lm  
**LOR** 81%  
**Glare Cut Off** 45° in vertical position  
**Glare Comfort Cut Off** 85° in vertical position  
**Colour Temperature** 3000K | 2700K | \*  
**CRI** Ra: 95      **TM-30** Rf: 93 Rg: 99  
**Optic** 30°  
**Gear Type** Dimmable options available  
**Gear Location** Remote - No access through cutout for dimmable drivers  
**Weight** AL BK WH - 74g | RB PB - 90g  
 \* Please enquire as to the availability of non-standard Colour Temperatures

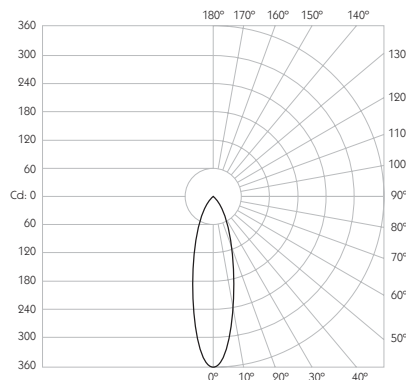


Glare Diagram



Minimo Tilt is a miniature recessed LED luminaire providing high performance accent lighting from a compact source and offering 25° tilt. Even at full tilt, the luminaire does not protrude from the bezel. With 95CRI, Minimo Tilt is perfect for use in colour-critical applications. Tool-less, site changeable optics allow flexibility in varying environments. Minimo Tilt is machined from aerospace grade 6063-T6 aluminium and brass, is available as standard in white, black, polished brass, rubbed bronze and brushed aluminium finishes, and delivers a lumen package of 140lm at 1.6W.

Product Photometry independently tested in accordance with LM-79



Distance	Beam Diameter	Illuminance (lx)
1m	0.54m	360 lx
2m	1.07m	90 lx
3m	1.61m	40 lx
4m	2.14m	23 lx
5m	2.68m	14 lx

IP 20	95 CRI	CE	ETL US
LED	1.6W	3.2V 500mA	PART L
25° Tilt	44mm Cutout	0.5m Depth	



Circular Bezel

Grey	RC-621-AL-XX9530
Black	RC-621-RB-XX9530
Polished Brass	RC-621-PB-XX9530
Brushed Aluminium	RC-621-BK-XX9530
White	RC-621-WH-XX9530

For 3000K Substitute XX with 30 | For 2700K Substitute XX with 27

WIDE FLOOD



**Category** Interior use only IP20

**Material** Machined Aluminium | Machined Brass

**Finish** Aluminium | Rubbed Bronze | Polished Brass | Black | White | Custom

**Cutout** ø44mm

**Ceiling Thickness** 5 - 25mm

**Minimum Ceiling Void** 20mm spacing above module

**Tilt** 25°

**System Power** 1.6W

**Module Output** 140lm

**Absolute Output** 124lm

**LOR** 89%

**Glare Cut Off** 45° in vertical position

**Glare Comfort Cut Off** 85° in vertical position

**Colour Temperature** 3000K | 2700K | \*

**CRI** Ra: 95 **TM-30** Rf: 93 Rg: 99

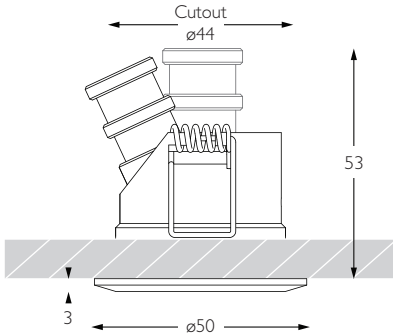
**Optic** 60°

**Gear Type** Dimmable options available

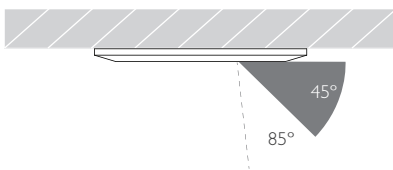
**Gear Location** Remote - No access through cutout for dimmable drivers

**Weight** AL BK WH - 74g | RB PB - 90g

\* Please enquire as to the availability of non-standard Colour Temperatures



Glare Diagram

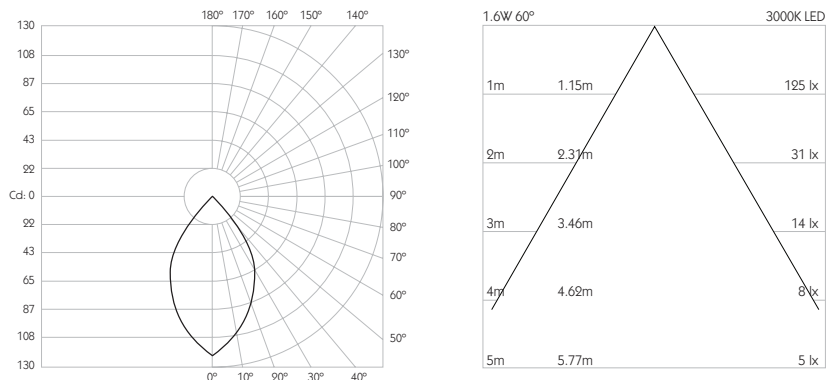


Cut Off: 45°  
Glare Comfort Cut Off: 85°

IP 20	95 CRI	CE	ETL US
LED	1.6W	3.2V 500mA	PART L
25°	44	0.5m	

Minimo Tilt is a miniature recessed LED luminaire providing high performance accent lighting from a compact source and offering 25° tilt. Even at full tilt, the luminaire does not protrude from the bezel. With 95CRI, Minimo Tilt is perfect for use in colour-critical applications. Tool-less, site changeable optics allow flexibility in varying environments. Minimo Tilt is machined from aerospace grade 6063-T6 aluminium and brass, is available as standard in white, black, polished brass, rubbed bronze and brushed aluminium finishes, and delivers a lumen package of 140lm at 1.6W.

Product Photometry independently tested in accordance with LM-79



Circular Bezel

RC-621-AL-XX9560	
RC-621-RB-XX9560	
RC-621-PB-XX9560	
RC-621-BK-XX9560	
RC-621-WH-XX9560	

For 3000K Substitute XX with 30 | For 2700K Substitute XX with 27