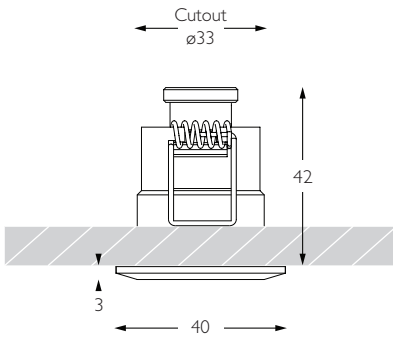


# MINIMO FIXED SQUARE

NARROW SPOT

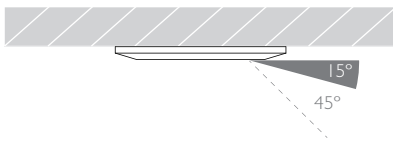


**Category** Interior use only IP20  
**Material** Machined Aluminium  
**Finish** Brushed Aluminium | Black | White | Custom  
**Cutout** ø33mm  
**Ceiling Thickness** 3 - 25mm  
**Minimum Ceiling Void** 20mm above top of luminaire module  
**System Power** 1.6W  
**Module Output** 140lm      **Absolute Output** 125lm  
**LOR** 89%  
**Glare Cut Off** 15°  
**Glare Comfort Cut Off** 45°  
**Colour Temperature** 3000K | 2700K | \*  
**CRI** Ra: 95      **TM-30** Rf: 93 Rg: 99  
**Optic** 12°  
**Gear Type** Dimmable options available  
**Gear Location** Remote - No access through cutout for dimmable drivers  
**Weight** 52g



\* Please enquire as to the availability of non-standard Colour Temperatures

Glare Diagram

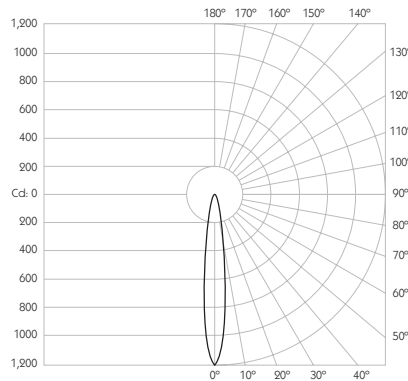


Minimo Fixed Square is a miniature recessed LED luminaire providing high performance accent lighting from a compact source. With 95CRI, Minimo Fixed is perfect for use in colour-critical applications. Tool-less, site changeable optics allow flexibility in varying environments. Minimo Fixed is machined from aerospace grade 6063-T6 aluminium, is available as standard in white, black and brushed aluminium finishes, and delivers a lumen package of 140lm at 1.6W.

Cut Off: 15°  
Glare Comfort Cut Off: 45°

Product Photometry independently tested in accordance with LM-79

IP 20	95 CRI	CE	ETL US
LED	1.6W	3.2V 500mA	PART L
33	0.5m		



Distance (m)	Beam Diameter (m)	Illuminance (lx)
1m	0.21m	1,193 lx
2m	0.42m	298 lx
3m	0.63m	133 lx
4m	0.84m	75 lx
5m	1.05m	48 lx



Square Bezel

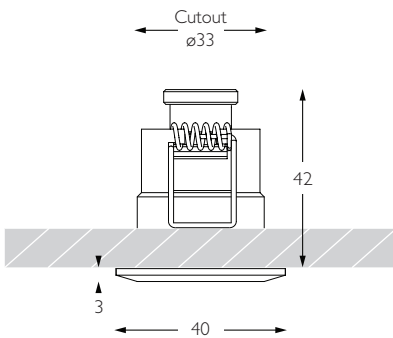
	RS-601-AL-XX9512
	RS-601-BK-XX9512
	RS-601-WH-XX9512

# MINIMO FIXED SQUARE

FLOOD

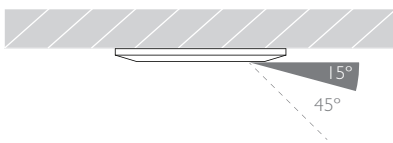


**Category** Interior use only IP20  
**Material** Machined Aluminium  
**Finish** Brushed Aluminium | Black | White | Custom  
**Cutout** ø33mm  
**Ceiling Thickness** 3 - 25mm  
**Minimum Ceiling Void** 20mm above top of luminaire module  
**System Power** 1.6W  
**Module Output** 140lm      **Absolute Output** 114lm  
**LOR** 81%  
**Glare Cut Off** 15°  
**Glare Comfort Cut Off** 45°  
**Colour Temperature** 3000K | 2700K | \*  
**CRI** Ra: 95      **TM-30** Rf: 93 Rg: 99  
**Optic** 30°  
**Gear Type** Dimmable options available  
**Gear Location** Remote - No access through cutout for dimmable drivers  
**Weight** 52g



\* Please enquire as to the availability of non-standard Colour Temperatures

Glare Diagram

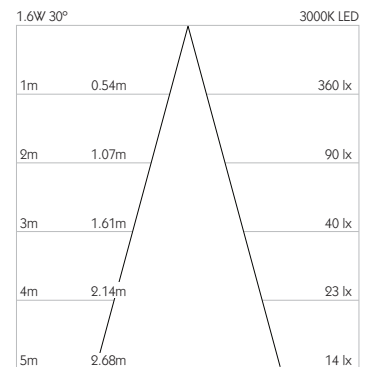
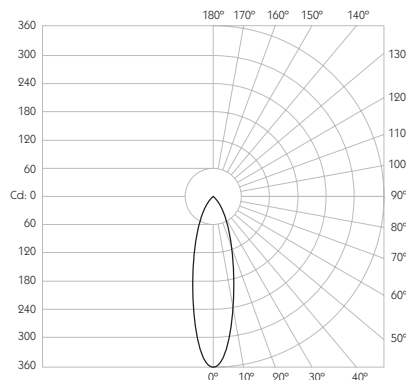


Minimo Fixed Square is a miniature recessed LED luminaire providing high performance accent lighting from a compact source. With 95CRI, Minimo Fixed is perfect for use in colour-critical applications. Tool-less, site changeable optics allow flexibility in varying environments. Minimo Fixed is machined from aerospace grade 6063-T6 aluminium, is available as standard in white, black and brushed aluminium finishes, and delivers a lumen package of 140lm at 1.6W.

Cut Off: 15°  
Glare Comfort Cut Off: 45°

Product Photometry independently tested in accordance with LM-79

IP 20	95 CRI	CE	ETL US
LED	1.6W	3.2V 500mA	PART L
33	0.5m		



Square Bezel

Grey	RS-601-AL-XX9530
Black	RS-601-BK-XX9530
White	RS-601-WH-XX9530

# MINIMO FIXED SQUARE

WIDE FLOOD



**Category** Interior use only IP20

**Material** Machined Aluminium

**Finish** Brushed Aluminium | Black | White | Custom

**Cutout** ø33mm

**Ceiling Thickness** 3 - 25mm

**Minimum Ceiling Void** 20mm above top of luminaire module

**System Power** 1.6W

**Module Output** 140lm      **Absolute Output** 125lm

**LOR** 89%

**Glare Cut Off** 15°

**Glare Comfort Cut Off** 45°

**Colour Temperature** 3000K | 2700K | \*

**CRI** Ra: 95      **TM-30** Rf: 93 Rg: 99

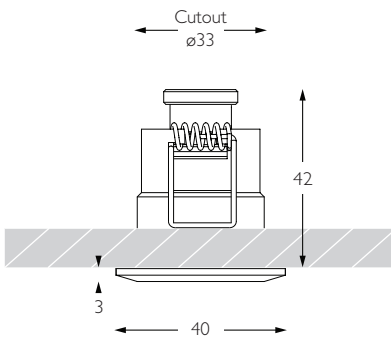
**Optic** 60°

**Gear Type** Dimmable options available

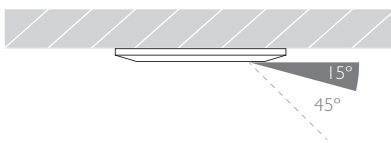
**Gear Location** Remote - No access through cutout for dimmable drivers

**Weight** 52g

\* Please enquire as to the availability of non-standard Colour Temperatures

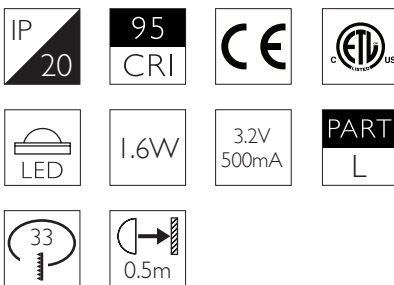


Glare Diagram



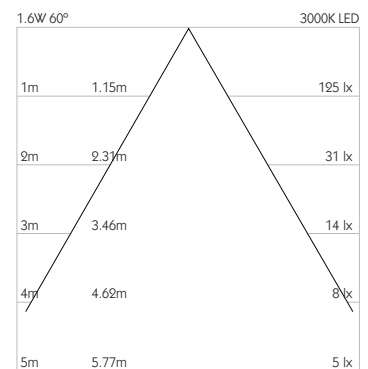
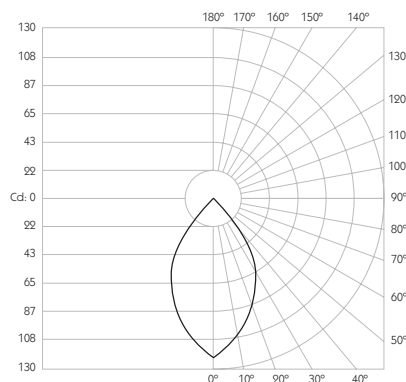
Cut Off: 15°

Glare Comfort Cut Off: 45°



Minimo Fixed Square is a miniature recessed LED luminaire providing high performance accent lighting from a compact source. With 95CRI, Minimo Fixed is perfect for use in colour-critical applications. Tool-less, site changeable optics allow flexibility in varying environments. Minimo Fixed is machined from aerospace grade 6063-T6 aluminium, is available as standard in white, black and brushed aluminium finishes, and delivers a lumen package of 140lm at 1.6W.

Product Photometry independently tested in accordance with LM-79



Square Bezel

RS-601-AL-XX9560

RS-601-BK-XX9560

RS-601-WH-XX9560

