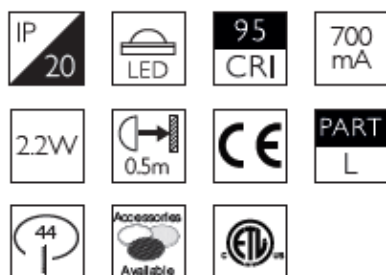
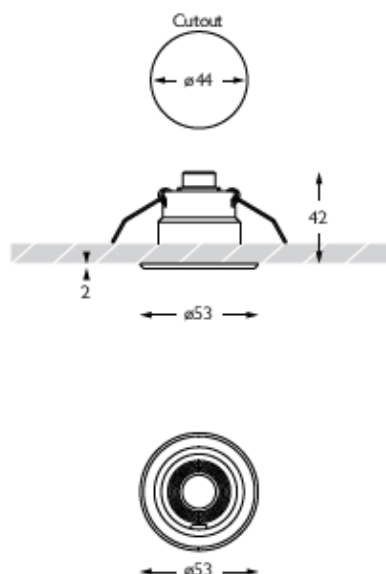


NARROW SPOT



Category Interior use only IP20

Material Machined Aluminium

Finish Brushed Aluminium | Black | White | Custom

Cutout ø44mm

Ceiling Thickness 5-25mm

Minimum Ceiling Void 20mm above top of luminaire module

Accessories Lenses

System Power 2.2W

Module Output 178lm

Absolute Output 164lm

LOR 93%

Colour Temperature 3000K*

CRI Ra: 95 **TM-30** Rf: 93 Rg: 99

Optics 12°

Gear Type Dimmable options available

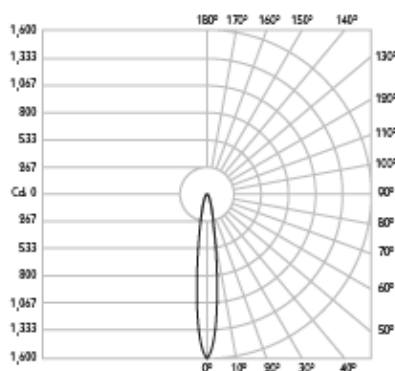
Weight 58g

* Please enquire as to the availability of non-standard colour temperatures.



Domino 1 Recessed is a 95CRI architectural luminaire. The minimal aesthetic, common across the Precision portfolio, ensures the luminaire blends into its architectural surroundings. The luminaire comes as standard in white, black and brushed aluminium finishes, and has five changeable optics for flexible distribution. The built-in, anti-reflective, magnetic accessory holder enables glare control and accommodates accessories up to 2mm thick. Domino 1 Recessed is machined from aerospace grade 6063-T6 aluminium, delivering a lumen package of 178lm at 2.2W.

Product Photometry independently tested in accordance with LM-79



Distance	Beam Diameter	Footcandle (lx)
1m	0.21m	1,566 lx
2m	0.42m	392 lx
3m	0.63m	174 lx
4m	0.84m	98 lx
5m	1.05m	63 lx



Bezel

TX-651-AL-309512

TX-651-BK-309512

TX-651-WH-309512



PRECISION
LIGHTING

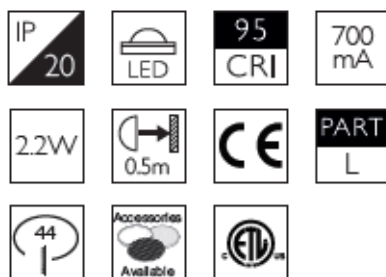
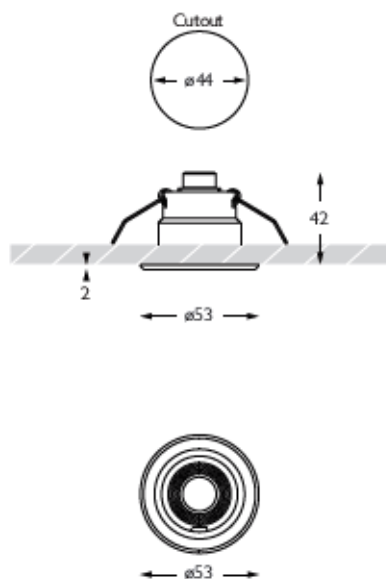
SALES@PRECISIONLIGHTING.CO.UK

WWW.PRECISIONLIGHTING.CO.UK

42 RIVERSIDE ROAD
LONDON SW17 0BA

t. +44 (0) 20 8947 6616
f. +44 (0) 20 8286 6626

FLOOD



Category Interior use only IP20

Material Machined Aluminium

Finish Brushed Aluminium | Black | White | Custom

Cutout ø44mm

Ceiling Thickness 5-25mm

Minimum Ceiling Void 20mm above top of luminaire module

Accessories Lenses

System Power 2.2W

Module Output 178lm

Absolute Output 150lm

LOR 84%

Colour Temperature 3000K*

CRI Ra: 95 **TM-30** Rf: 93 Rg: 99

Optics 30°

Gear Type Dimmable options available

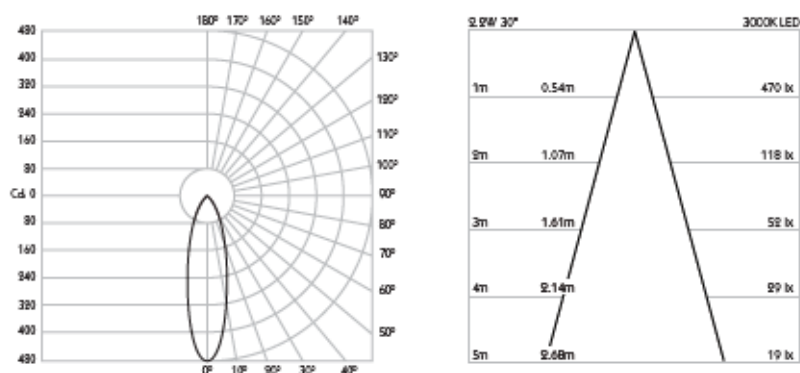
Weight 58g

* Please enquire as to the availability of non-standard colour temperatures.



Domino 1 Recessed is a 95CRI architectural luminaire. The minimal aesthetic, common across the Precision portfolio, ensures the luminaire blends into its architectural surroundings. The luminaire comes as standard in white, black and brushed aluminium finishes, and has five changeable optics for flexible distribution. The built-in, anti-reflective, magnetic accessory holder enables glare control and accommodates accessories up to 2mm thick. Domino 1 Recessed is machined from aerospace grade 6063-T6 aluminium, delivering a lumen package of 178lm at 2.2W.

Product Photometry independently tested in accordance with LM-79



Bezel

TX-651-AL-309530

TX-651-BK-309530

TX-651-WH-309530

ELLIPSE



Category Interior use only IP20

Material Machined Aluminium

Finish Brushed Aluminium | Black | White | Custom

Cutout $\varnothing 44$ mm

Ceiling Thickness 5-25mm

Minimum Ceiling Void 20mm above top of luminaire module

Accessories Lenses

System Power 2.2W

Module Output 178lm

Absolute Output 163lm

LOR 92%

Colour Temperature 3000K*

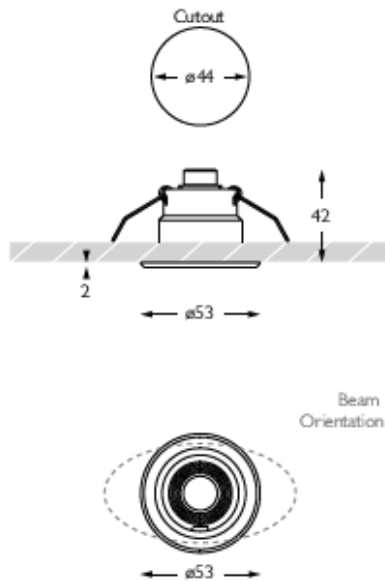
CRI Ra: 95 **TM-30** Rf: 93 Rg: 99

Optics 12X35°

Gear Type Dimmable options available

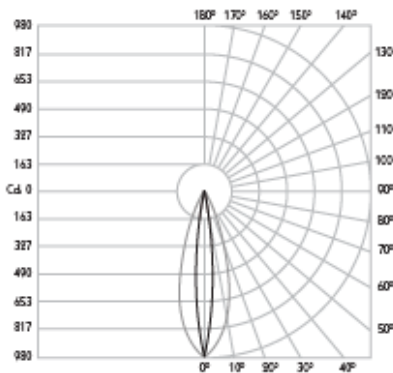
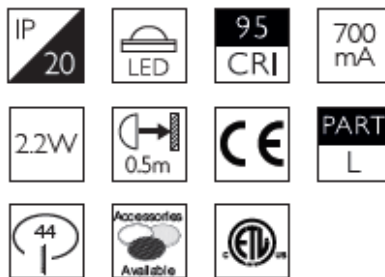
Weight 58g

* Please enquire as to the availability of non-standard colour temperatures.



Domino 1 Recessed is a 95CRI architectural luminaire. The minimal aesthetic, common across the Precision portfolio, ensures the luminaire blends into its architectural surroundings. The luminaire comes as standard in white, black and brushed aluminium finishes, and has five changeable optics for flexible distribution. The built-in, anti-reflective, magnetic accessory holder enables glare control and accommodates accessories up to 2mm thick. Domino 1 Recessed is machined from aerospace grade 6063-T6 aluminium, delivering a lumen package of 178lm at 2.2W.

Product Photometry independently tested in accordance with LM-79



Distance	Beam Diameter	Beam Diameter	Footcandle
1m	0.63m	0.21m	972 lx
2m	1.26m	0.42m	243 lx
3m	1.89m	0.63m	108 lx
4m	2.52m	0.84m	60 lx
5m	3.15m	1.05m	39 lx



Bezel

TX-651-AL-3005E1

TX-651-BK-3005E1

TX-651-WH-3005E1



PRECISION
LIGHTING

SALES@PRECISIONLIGHTING.CO.UK

WWW.PRECISIONLIGHTING.CO.UK

42 RIVERSIDE ROAD
LONDON SW17 0BA

t. +44 (0) 20 8947 6616
f. +44 (0) 20 8286 6626

VERTICAL ELLIPSE



Category Interior use only IP20

Material Machined Aluminium

Finish Brushed Aluminium | Black | White | Custom

Cutout ø44mm

Ceiling Thickness 5-25mm

Minimum Ceiling Void 20mm above top of luminaire module

Accessories Lenses

System Power 2.2W

Module Output 178lm

Absolute Output 163lm

LOR 92%

Colour Temperature 3000K*

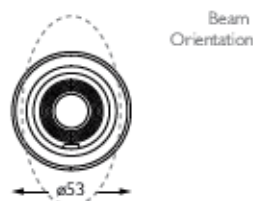
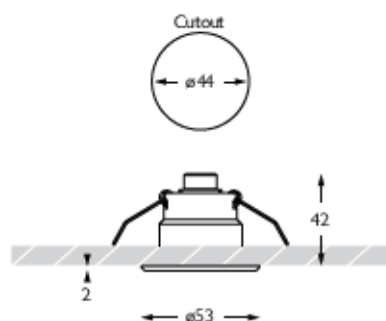
CRI Ra: 95 **TM-30** Rf: 93 Rg: 99

Optics 35X12°

Gear Type Dimmable options available

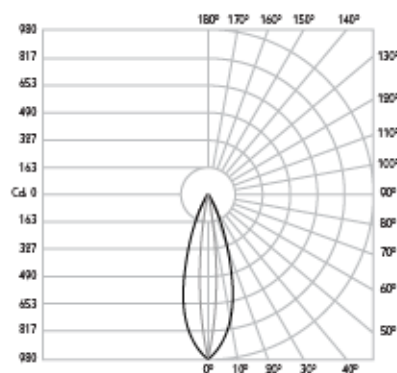
Weight 58g

* Please enquire as to the availability of non-standard colour temperatures.

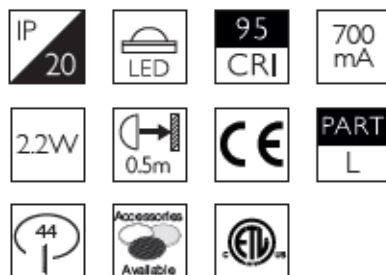


Domino 1 Recessed is a 95CRI architectural luminaire. The minimal aesthetic, common across the Precision portfolio, ensures the luminaire blends into its architectural surroundings. The luminaire comes as standard in white, black and brushed aluminium finishes, and has five changeable optics for flexible distribution. The built-in, anti-reflective, magnetic accessory holder enables glare control and accommodates accessories up to 2mm thick. Domino 1 Recessed is machined from aerospace grade 6063-T6 aluminium, delivering a lumen package of 178lm at 2.2W.

Product Photometry independently tested in accordance with LM-79



Distance	Beam Diameter	Beam Diameter	Footcandle
1m	0.63m	0.51m	972 lx
2m	1.26m	1.02m	243 lx
3m	1.89m	1.53m	108 lx
4m	2.52m	2.04m	60 lx
5m	3.15m	2.55m	39 lx



Bezel

TX-651-AL-3095E2

TX-651-BK-3095E2

TX-651-WH-3095E2

