

instruction manual Domino Basis Track

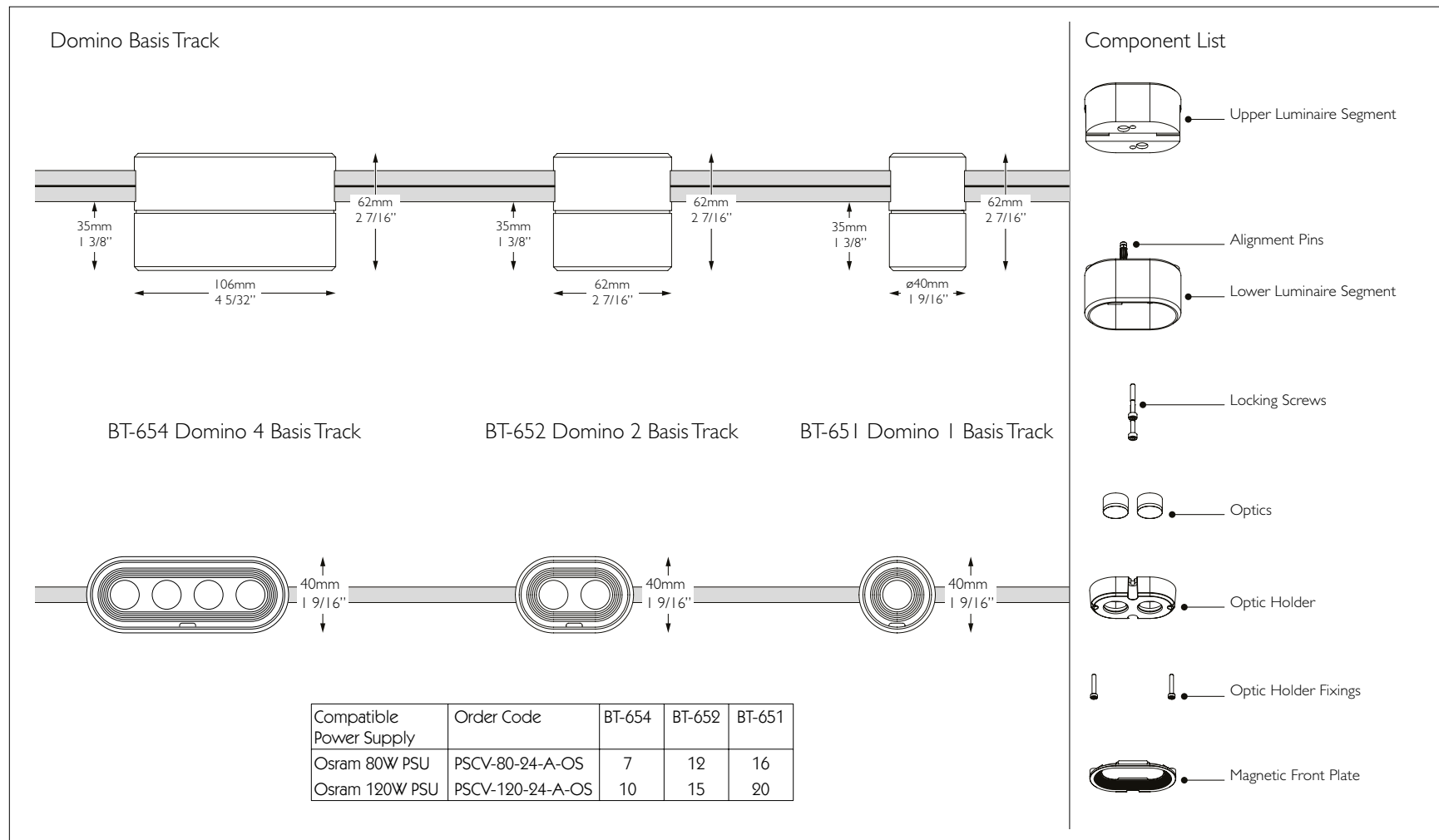
The Domino Basis Track family are low profile, track mounted 95CRI architectural luminaires that offer a wide range of optical distributions.

Domino Basis Track 1 - 2.5W, 178lm
Domino Basis Track 2 - 4.8W, 356lm
Domino Basis Track 4 - 9.7W, 712lm

These instructions are applicable for Domino Basis Track 1, 2 and 4 variations.



These luminaires are constant voltage and must be connected to an appropriate PSU as recommended by Precision Lighting.



IMPORTANT SAFETY INFORMATION

READ ALL INSTRUCTIONS BEFORE USING THESE PRODUCTS. SAVE THESE INSTRUCTIONS FOR LATER REFERENCE.

- All systems must be installed by a suitably qualified professional only. Installations must conform to national installation and accident prevention regulations.
- Do not install any fixture closer than 150mm (6 inches) from any combustible material. Do not install these products in a damp or wet location.
- To reduce the risk of fire and burns, do not install these products where exposed bare conductors can be shorted or contact any conductive materials. Do not conceal or extend exposed conductors through a building wall.
- Ensure all connections are tight. Bad connections can cause overheating, arcing and a potential fire risk.
- This luminaire must be wired and grounded in accordance with standard accepted electrical installation practices, local codes and ordinances.
- Wire supply connections must be made with UL or compatible testing agency approved connectors.
- Always use appropriate optics and ensure they are fitted securely.
- Use only as described in this Precision Lighting manual.
- Use only Precision Lighting recommended accessories.
- Ensure that the luminaire is switched off at mains supply before installing or removing.
- Luminaires may be extremely hot, allow to cool before touching.
- These are 24V constant voltage luminaires and must be connected to an appropriate PSU as recommended by Precision Lighting.
- Regular cleaning of these products is important. Switch off at mains supply and allow to cool before cleaning fittings with a microfibre cloth. Then reconnect the power supply.
- Ensure all locking screws are fully tightened to secure luminaire to track. Do not rely on alignment pins alone.

Model shown is the Basis Track Domino 2.
The same procedures apply for Basis Track
Domino 4 and I variations.

I. Installing the luminaire

WARNING switch off power to mains
before installation.

Install Basis Track components as per
Basis Track instructions supplied.

Remove the Magnetic Front Plate from
the luminaire using a flat screw driver as
a pivot. Loosen the Locking Screws with
a 2.5mm allen key. Pull the two luminaire
segments apart.

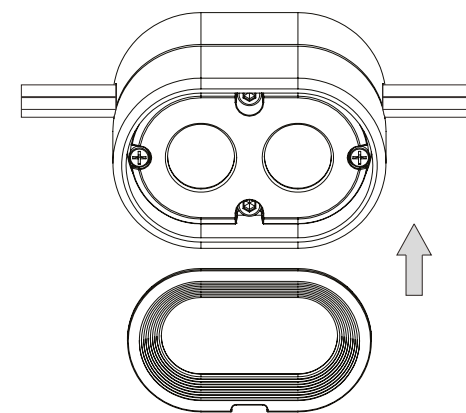
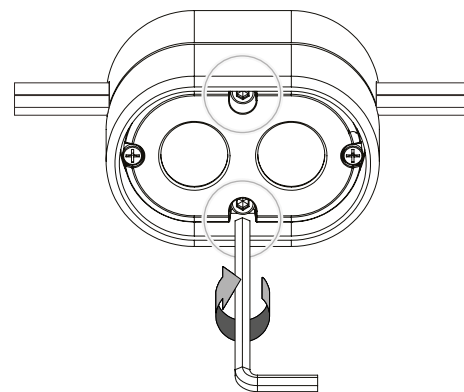
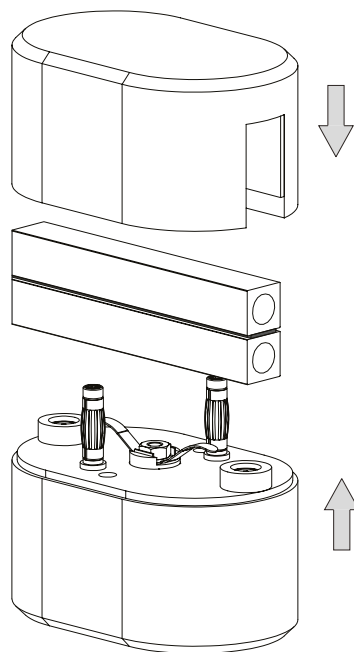
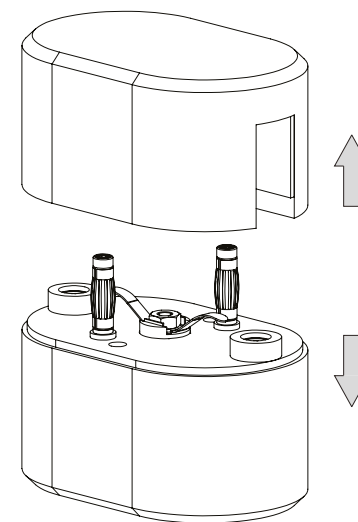
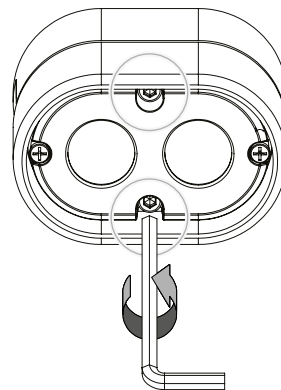
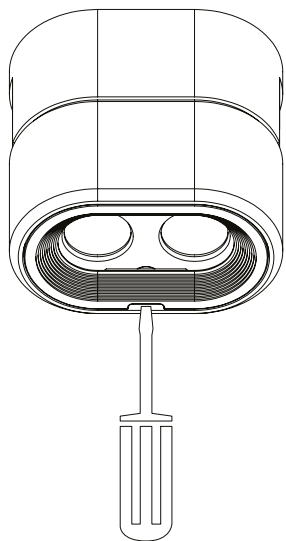
Place the Upper Luminaire Segment
over the Basis Track.

Push the Lower Luminaire Segment
Alignment Pins into the corresponding
holes in the Upper Luminaire Segment.

Tighten the Locking Screws to securely
attach the luminaire to the track.

WARNING Locking Screws must be
tightened securely to ensure good electrical
connection and secure mounting to track.
Alignment Pins alone are not sufficient.

Replace Magnetic Front Plate.



2. Changing the optics

WARNING luminaire may be hot.
Allow to cool before touching.

Using the slot on the side of the Magnetic Front Plate remove the plate. We recommend using a screwdriver for leverage.

Unscrew the 2 captive screws, using a 2.5mm allen key, as seen in diagram 2.2., and remove the luminaire from the track.

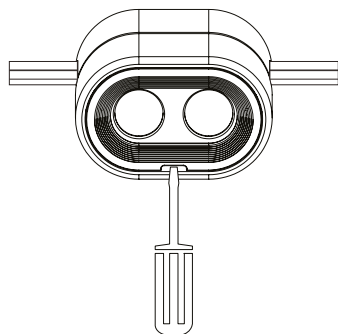
Once removed from the track remove the optic cover by unscrewing the 2 cross head screws (Optic Holder Screws) shown in diagram 2.3.

Remove the optics and replace with the new selection. To position the new optics correctly place the optics into the cover and replace.

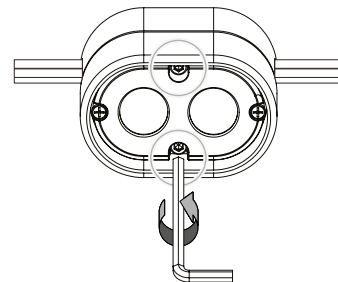
Screw the optic holder back in to place using the 2 cross head screws.

Reinstall onto ceiling as per step 1.

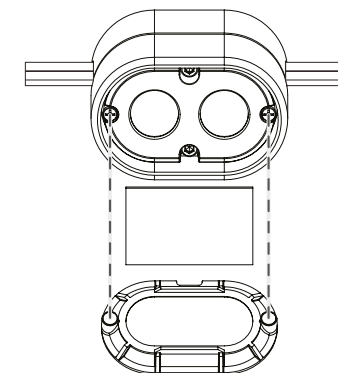
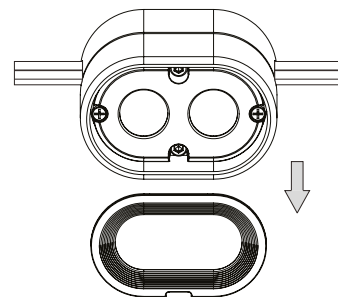
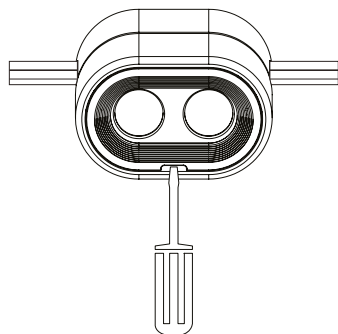
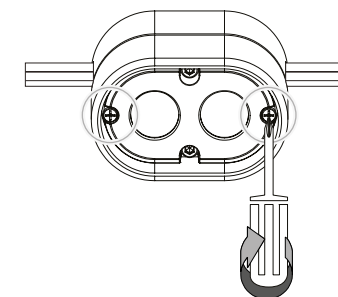
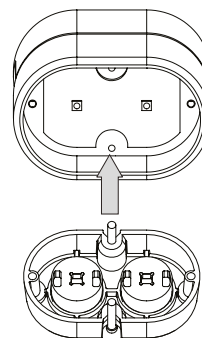
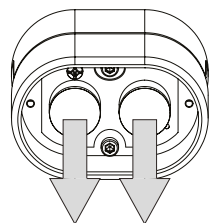
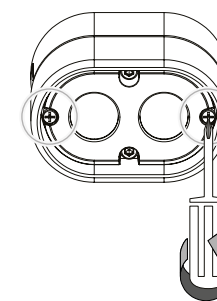
2.1



2.1



2.1



3. Using Accessories

WARNING luminaire may be hot.
Allow to cool before touching.

Using the slot on the side of the Magnetic Front Plate remove the plate. We recommend using a screwdriver for leverage.

Insert accessory into Magnetic Front Plate and replace Front Plate into the main body.