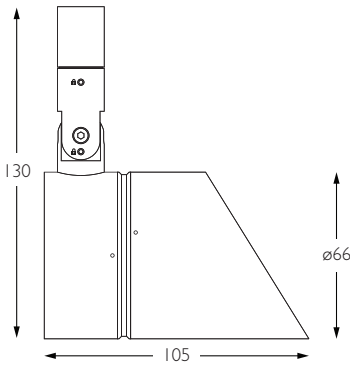




**Category** Interior use only IP20  
**Material** Machined Aluminium  
**Finish** Brushed Aluminium | Black | White | Custom  
**System** Eutrac | Monopoint | LV tracks  
**Lockable** Pan & Tilt  
**Accessories** Snoots | Louvres | Lenses  
**System Power** 7W  
**Module Output** 560lm  
**Absolute Output** 535lm  
**LOR** 96%  
**Colour Temperature** 3000K | 2700K | \*  
**CRI** Ra: 95    **TM-30** Rf: 93 Rg: 99  
**Optics** 12°  
**Gear Type** Dimmable options available  
**Weight** 403g

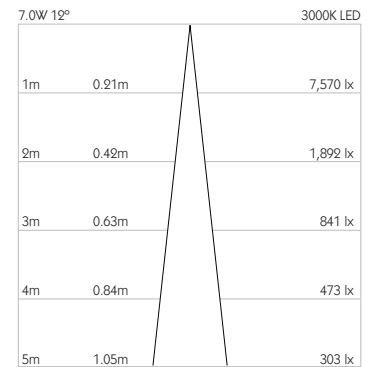
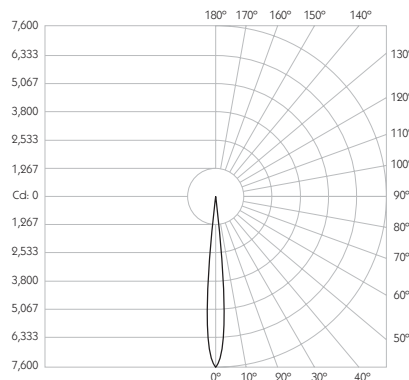


\* Please enquire as to the availability of non-standard Colour Temperatures.

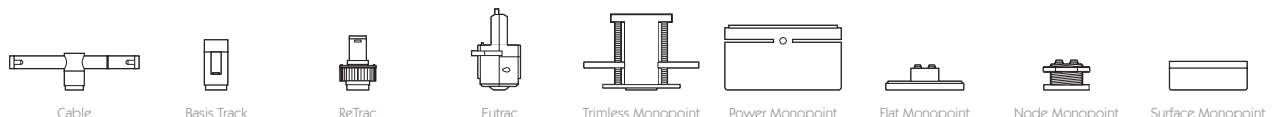


Discus 16 is a 95CRI LED spotlight, based on a minimalist design with advanced features and benefits. The spotlight comes as standard in white, black and brushed aluminium finishes, and has three site changeable optics for flexible distribution. Movement is aided with a low friction bearing rotation and constant torque tilt mechanism, both lockable in pan and tilt. The Precision Lighting Jack Plug system enables the luminaire to be easily disconnected and reconnected to all of Precision Lighting's systems, offering flexibility throughout the product's lifetime. The onboard 24V driver ensures overcurrent protection and is not polarity sensitive. Discus 16 is machined from aerospace grade 6063-T6 aluminium, delivering a lumen package of 560lm at 7W.

Product Photometry independently tested in accordance with LM-79



IP 20	95 CRI	CE	ETL US
LED	7W	24V	PART L
360°	180°	0.5m	Accessories Available



Grey	BT-751-AL-XX9512	RT-751-AL-XX9512	EUT3-751-AL-XX9512	MPS-751-AL-XX9512	MPX-751-AL-XX9512	MPY-751-AL-XX9512	MPZ-751-AL-XX9512
Black		RT-751-BK-XX9512	EUT3-751-BK-XX9512	MPS-751-BK-XX9512	MPX-751-BK-XX9512	MPY-751-BK-XX9512	MPZ-751-BK-XX9512
White	RT-751-WH-XX9512	EUT3-751-WH-XX9512	MPS-751-WH-XX9512	MPX-751-WH-XX9512	MPY-751-WH-XX9512	MPZ-751-WH-XX9512	

For 3000K Substitute XX with 30 | For 2700K Substitute XX with 27

# DISCUS 16

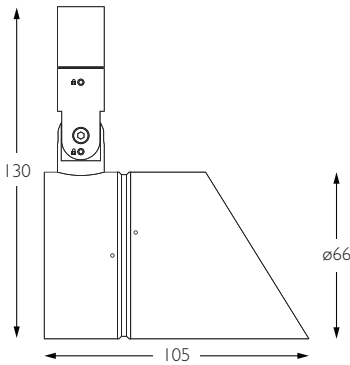
SPOT | GLARE GUARD



**Category** Interior use only IP20  
**Material** Machined Aluminium  
**Finish** Brushed Aluminium | Black | White | Custom  
**System** Eutrac | Monopoint | LV tracks  
**Lockable** Pan & Tilt  
**Accessories** Snoots | Louvres | Lenses  
**System Power** 7W  
**Module Output** 560lm  
**Absolute Output** 535lm  
**LOR** 96%  
**Colour Temperature** 3000K | 2700K | \*  
**CRI** Ra: 95    **TM-30** Rf: 93 Rg: 99  
**Optics** 20°  
**Gear Type** Dimmable options available  
**Weight** 403g

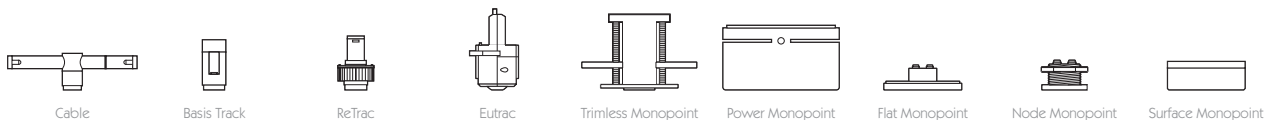
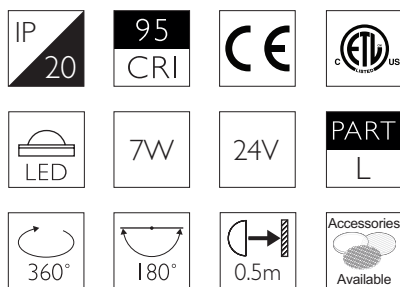
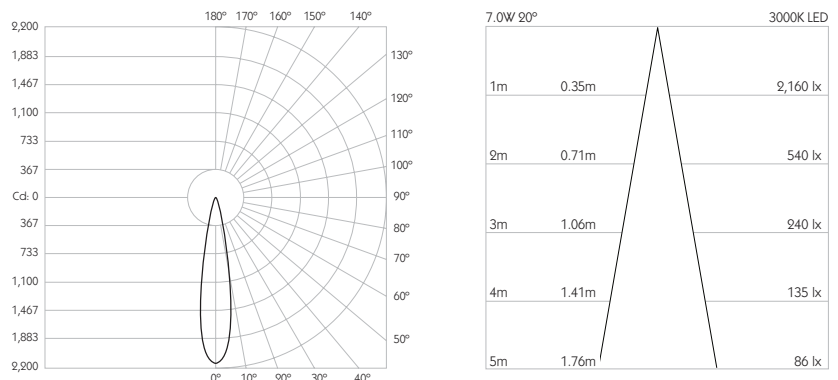


\* Please enquire as to the availability of non-standard Colour Temperatures.



Discus 16 is a 95CRI LED spotlight, based on a minimalist design with advanced features and benefits. The spotlight comes as standard in white, black and brushed aluminium finishes, and has three site changeable optics for flexible distribution. Movement is aided with a low friction bearing rotation and constant torque tilt mechanism, both lockable in pan and tilt. The Precision Lighting Jack Plug system enables the luminaire to be easily disconnected and reconnected to all of Precision Lighting's systems, offering flexibility throughout the product's lifetime. The onboard 24V driver ensures overcurrent protection and is not polarity sensitive. Discus 16 is machined from aerospace grade 6063-T6 aluminium, delivering a lumen package of 560lm at 7W.

Product Photometry independently tested in accordance with LM-79



	BT-751-AL-XX9520	RT-751-AL-XX9520	EUT3-751-AL-XX9520	MPS-751-AL-XX9520		MPX-751-AL-XX9520	MPY-751-AL-XX9520	MPZ-751-AL-XX9520
		RT-751-BK-XX9520	EUT3-751-BK-XX9520	MPS-751-BK-XX9520		MPX-751-BK-XX9520	MPY-751-BK-XX9520	MPZ-751-BK-XX9520
	RT-751-WH-XX9520		EUT3-751-WH-XX9520	MPS-751-WH-XX9520		MPX-751-WH-XX9520	MPY-751-WH-XX9520	MPZ-751-WH-XX9520

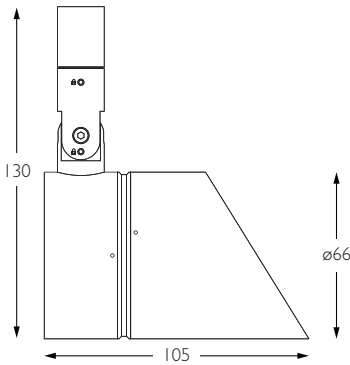
For 3000K Substitute XX with 30 | For 2700K Substitute XX with 27



**Category** Interior use only IP20  
**Material** Machined Aluminium  
**Finish** Brushed Aluminium | Black | White | Custom  
**System** Eutrac | Monopoint | LV tracks  
**Lockable** Pan & Tilt  
**Accessories** Snoots | Louvres | Lenses  
**System Power** 7W  
**Module Output** 560lm  
**Absolute Output** 530lm  
**LOR** 95%  
**Colour Temperature** 3000K | 2700K | \*  
**CRI** Ra: 95    **TM-30** Rf: 93 Rg: 99  
**Optics** 40°  
**Gear Type** Dimmable options available  
**Weight** 403g

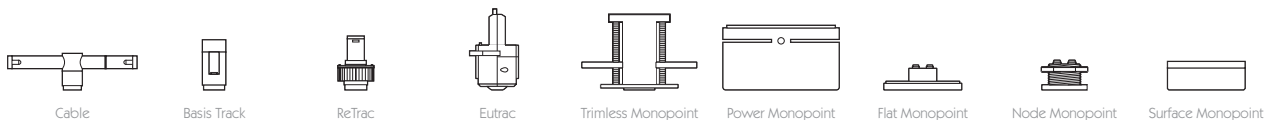
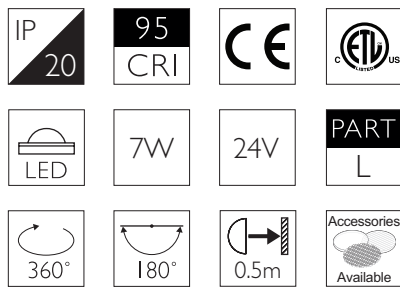
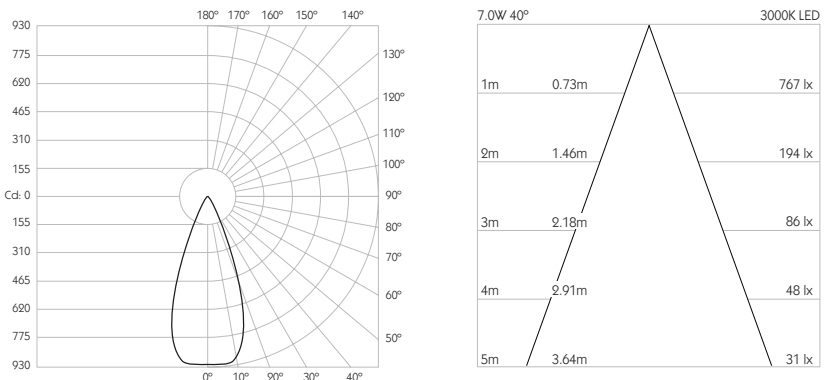


\* Please enquire as to the availability of non-standard Colour Temperatures.



Discus 16 is a 95CRI LED spotlight, based on a minimalist design with advanced features and benefits. The spotlight comes as standard in white, black and brushed aluminium finishes, and has three site changeable optics for flexible distribution. Movement is aided with a low friction bearing rotation and constant torque tilt mechanism, both lockable in pan and tilt. The Precision Lighting Jack Plug system enables the luminaire to be easily disconnected and reconnected to all of Precision Lighting's systems, offering flexibility throughout the product's lifetime. The onboard 24V driver ensures overcurrent protection and is not polarity sensitive. Discus 16 is machined from aerospace grade 6063-T6 aluminium, delivering a lumen package of 560lm at 7W.

Product Photometry independently tested in accordance with LM-79



Grey	BT-751-AL-XX9540	RT-751-AL-XX9540	EUT3-751-AL-XX9540	MPS-751-AL-XX9540	MPX-751-AL-XX9540	MPY-751-AL-XX9540	MPZ-751-AL-XX9540
Black		RT-751-BK-XX9540	EUT3-751-BK-XX9540	MPS-751-BK-XX9540	MPX-751-BK-XX9540	MPY-751-BK-XX9540	MPZ-751-BK-XX9540
White	RT-751-WH-XX9540	EUT3-751-WH-XX9540	MPS-751-WH-XX9540	MPX-751-WH-XX9540	MPY-751-WH-XX9540	MPZ-751-WH-XX9540	

For 3000K Substitute XX with 30 | For 2700K Substitute XX with 27