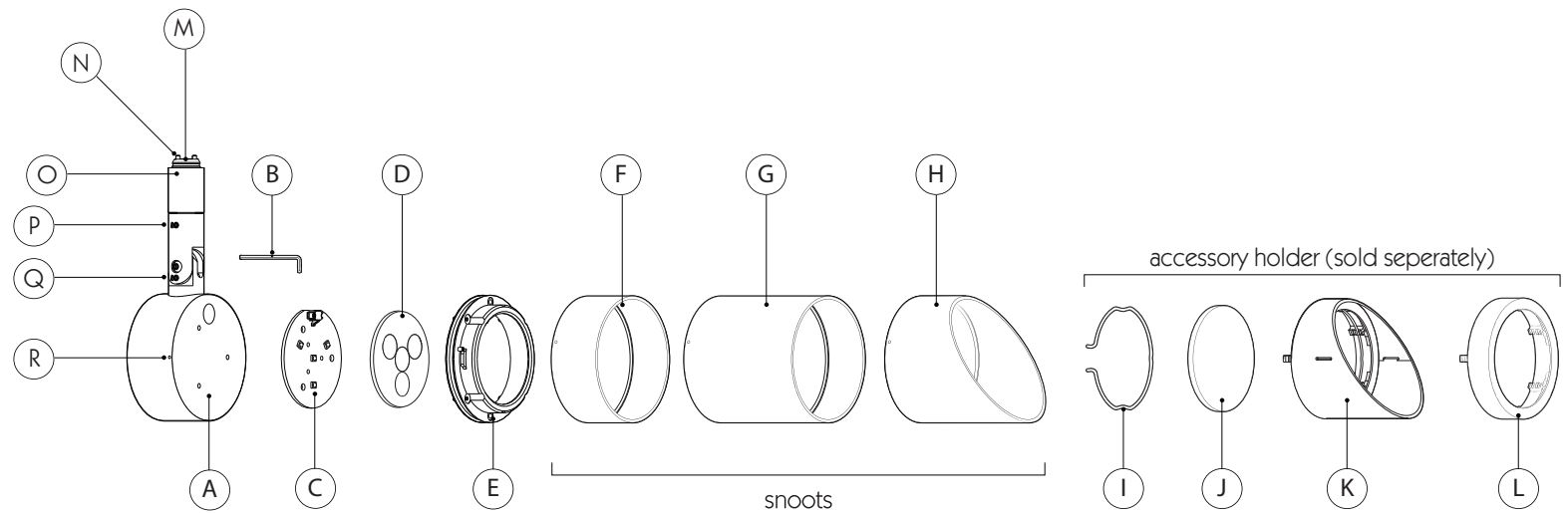


IMPORTANT SAFETY INFORMATION

READ ALL INSTRUCTIONS BEFORE USING THESE PRODUCTS. SAVE THESE INSTRUCTIONS FOR LATER REFERENCE.

1. All systems must be installed by a suitably qualified professional only. Installations must conform to national installation and accident prevention regulations.
2. Do not install any fixture closer than 150mm from any combustible material. Do not install these products in a damp or wet location.
3. To reduce the risk of fire and burns, do not install these products where exposed bare conductors can be shorted or contact any conductive materials. Do not conceal or extend exposed conductors through a building wall.
4. Ensure all connections are tight. Bad connections can cause overheating, arcing and a potential fire risk.
5. Always use appropriate optics and ensure they are fitted securely.
6. Use only as described in this Precision Lighting manual.
7. Use only Precision Lighting recommended accessories.
8. Ensure that the luminaire is switched off at mains supply before installing or removing.
9. Luminaires may be extremely hot, allow to cool before touching.
10. These are LED luminaires, they must be connected to an appropriate PSU.
11. Regular cleaning of these products is important. Switch off at mains supply and allow to cool before touching. Clean fittings externally with a soft damp cloth and allow to dry before reconnecting power supply.

KEY PRODUCT FEATURES



A. main body
B. allen key
C. pcb
D. optic
E. bayonet

F. short snoot
G. long snoot
H. glare guard snoot
I. accessory clip
J. accessory (upto 2)

K. wall wash accessory holder
L. standard accessory holder
M. jack plug
N. orientation pin
O. jack plug collar

P. pan lock
Q. tilt lock
R. snoot alignment guide

Model shown is the Discus 16 with short snoot. The same procedures apply for Discus 11 and other snoot options.

1. Installing the luminaire using Jack Plug connector.

- Insert jack plug into monopoint or track system ensuring locking screws are aligned.
- Rotate jack plug collar until luminaire is securely fastened.

NOTE basis track shown, actual system may vary.

2. Locking the luminaire in Pan and Tilt.

- Adjust luminaire to desired position.
- Lock luminaire position using 2mm Allen key provided.

NOTE only adjust luminaire position when unlocked.

3. Installing accessories using the accessory holder.

- Fit up to 2 accessories into accessory holder.
- Secure accessories in place using retaining clip.
- Insert accessory holder into snoot until it clicks into place.

4. Removing and changing the snoot.

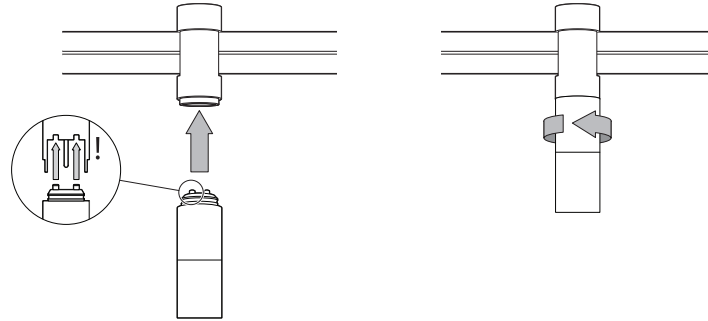
CAUTION the luminaire may be extremely hot. Allow to cool before touching.

- Twist snoot anti-clockwise and remove.
- To reattach snoot, align indicators as shown and twist clockwise until you hear a click.

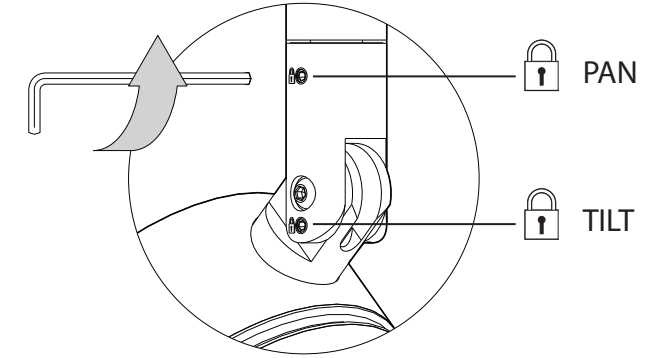
5. Changing the optic

- Remove the 4 hex screws from the bayonet mechanism.
- Carefully remove the black bayonet to expose the optic and PCB.
- Remove the optic and replace with alternative optic. Ensuring the optic legs are inserted into the corresponding holes as shown.
- Replace bayonet.
- Insert 4 hex screws and tighten.

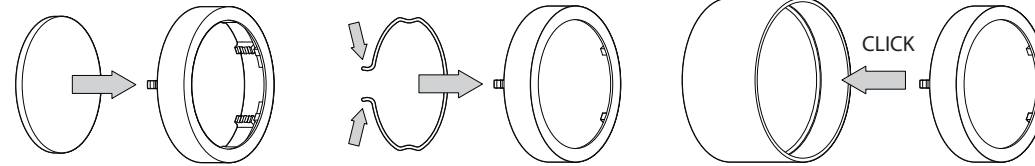
1.



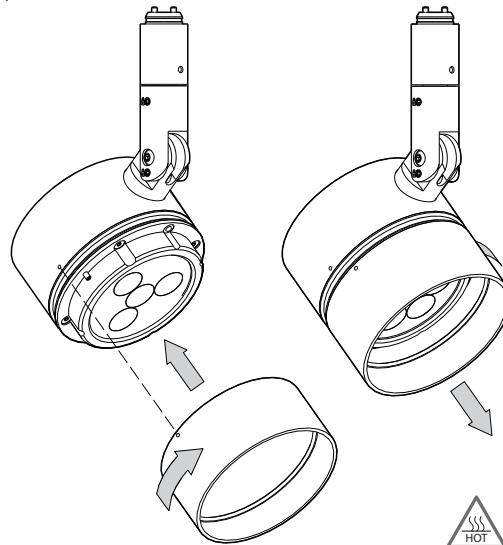
2.



3.



4.



5.

