



GENERAL SPECIFICATION

Body: Aluminum and steel.

Canopy Finish: White Powder coated.

Suspension: Stainless steel cables.

Power cable: Silver braided.

Diffuser: Acrylic.

Drivers: HPF electronic drivers for 120-277V (EU-240V)

Remote Mounting Of Drivers: Wire Size 18 AWG - Max distance (from canopy to drivers) 9.5', Wire size 16 AWG - Max distance 19.5', Wire size 14 AWG - Max distance 29.5'. Drivers must be accessible after installation.

Remote Emergency: Emergency option provides a 1.5 hour (3 hours for EU) emergency lighting facility. The remote system includes the inverter module, NiCad batteries and a remote wall/ceiling LED charge indicator and test switch (NA only) Maximum distance between wall/ceiling plate and luminaire is 4.5m/15'. Test switch fits a single gang box (not supplied).

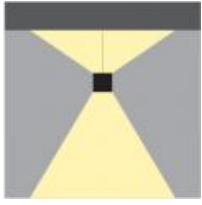
Mechanical: Luminaires mount directly over J box (by others - North America only).

L70 @25oC: > 50,000 hrs.

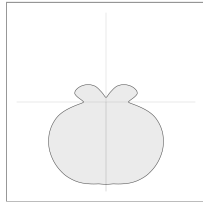
Delivered Lumens: Delivered lumens & LPW based on 3000K (min 80 CRI).

Approvals: Damp Location (Indoor use only).

MOUNTINGS & OPTICS



Interior - Suspended
Direct & Indirect



14 0000

HOW TO ORDER

A SPECIFY LUMINAIRE

Code:	Diameter (A):	Power:	Delivered lms:	LPW:	Suspension Points:
14 0000	610mm/24"	67W	7904	118	3

B SPECIFY CCT/COLOR

30	3000K (min 80 CRI)
35	3500K (min 80 CRI)
40	4000K (min 80 CRI)
RD	Red
GN	Green
BL	Blue

C SPECIFY DIMMING

D1	0-10V Dimming (1.0%)
D2	0-10V Dimming (0.1%)
D3	347V 0-10V Dimming (1.0%)
DA	DALI Dimming (0.1%)
DL	DALI Dimming (1.0%)
DS	DSI (EU only)
SD	switchDim (EU only)

Additional Information

DS and SD options not available in North America

D SPECIFY SUSPENSION

S1	Vertical, Remote Driver
S2	Hub, Remote Driver
S3	Vertical, Integral Driver
S4	Hub, Integral Driver

E SPECIFY LUMEN & WATTAGE REDUCTION

PRO	Lumen & Wattage Reduction to approximately 25% of standard output
PR1	Lumen & Wattage Reduction to approximately 50% of standard output
PR2	Lumen & Wattage Reduction to approximately 75% of standard output

Additional Information

Note: Custom Reduction Percentages Available Upon Request

F SPECIFY OPTIONS

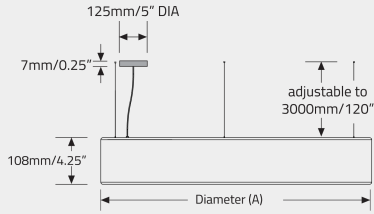
RE	Remote Emergency System
----	-------------------------

EXAMPLE SPECIFICATION CODE

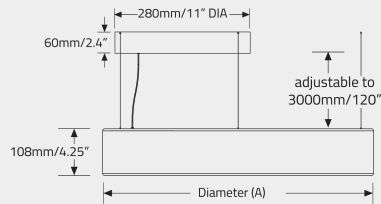
140000/35/D1/S2

DIMENSIONAL DIAGRAMS

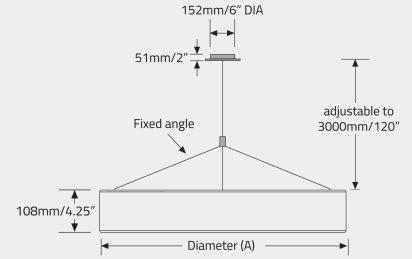
S1 VERTICAL - REMOTE DRIVER



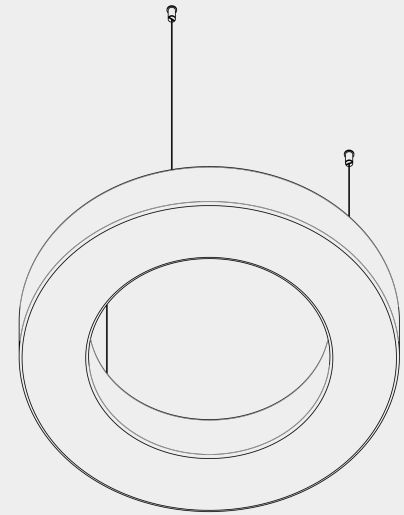
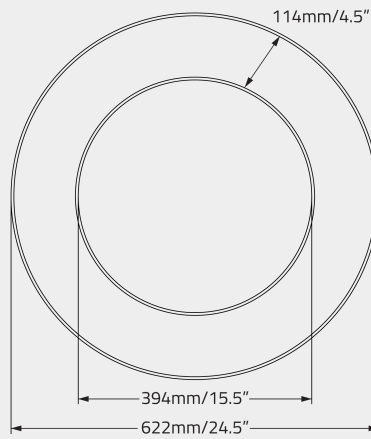
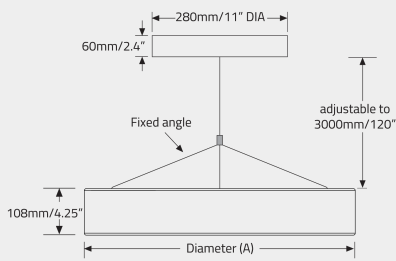
S3 VERTICAL - INTEGRAL DRIVER



S2 HUB - REMOTE DRIVER



S4 HUB - INTEGRAL DRIVER



ISO VIEW

APPROVALS

