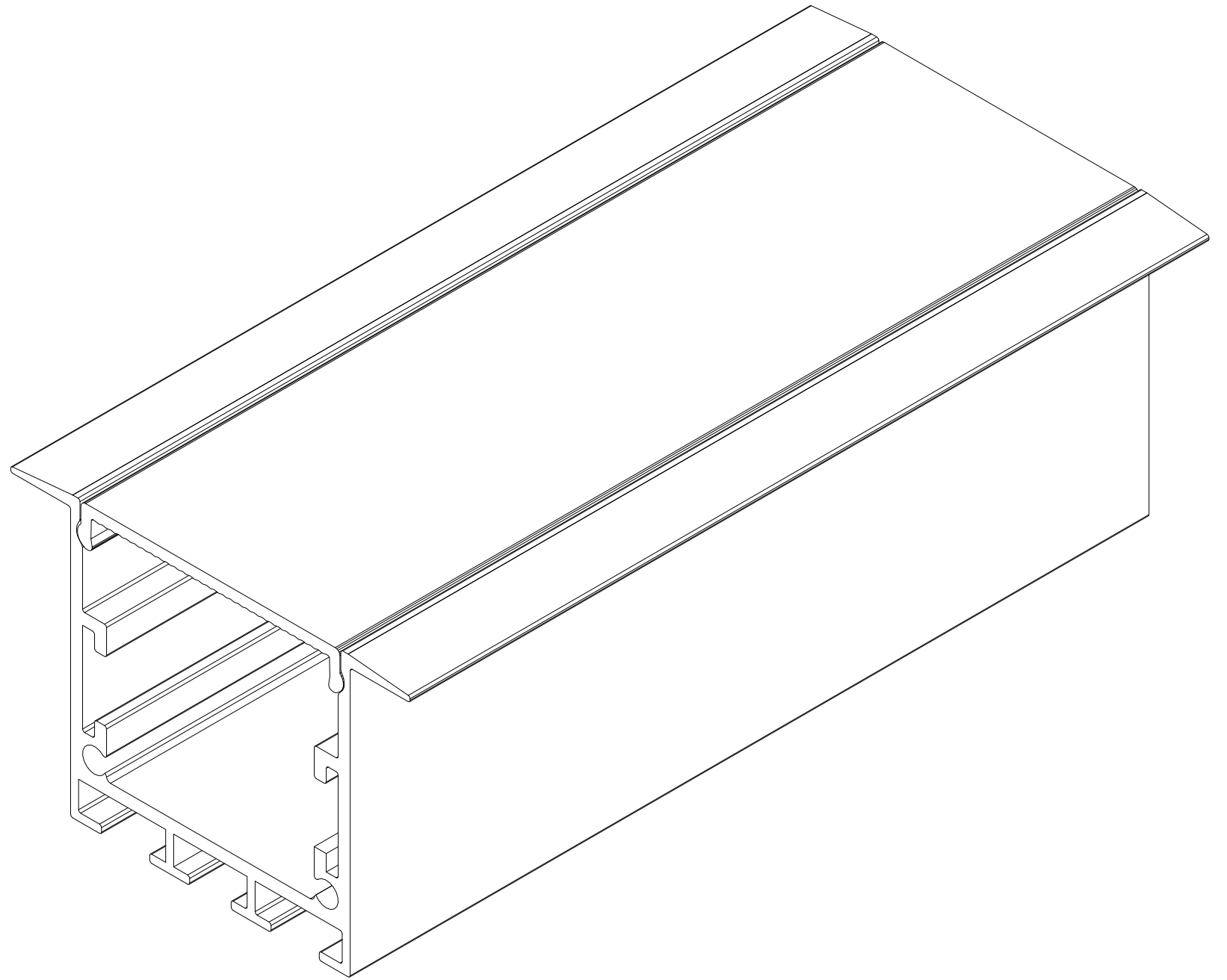
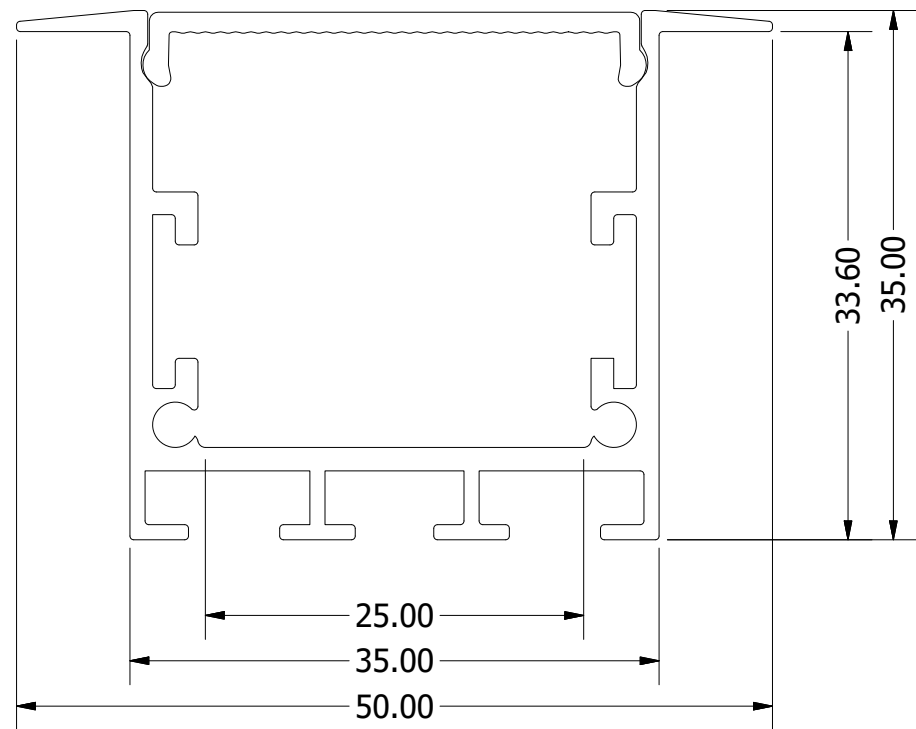
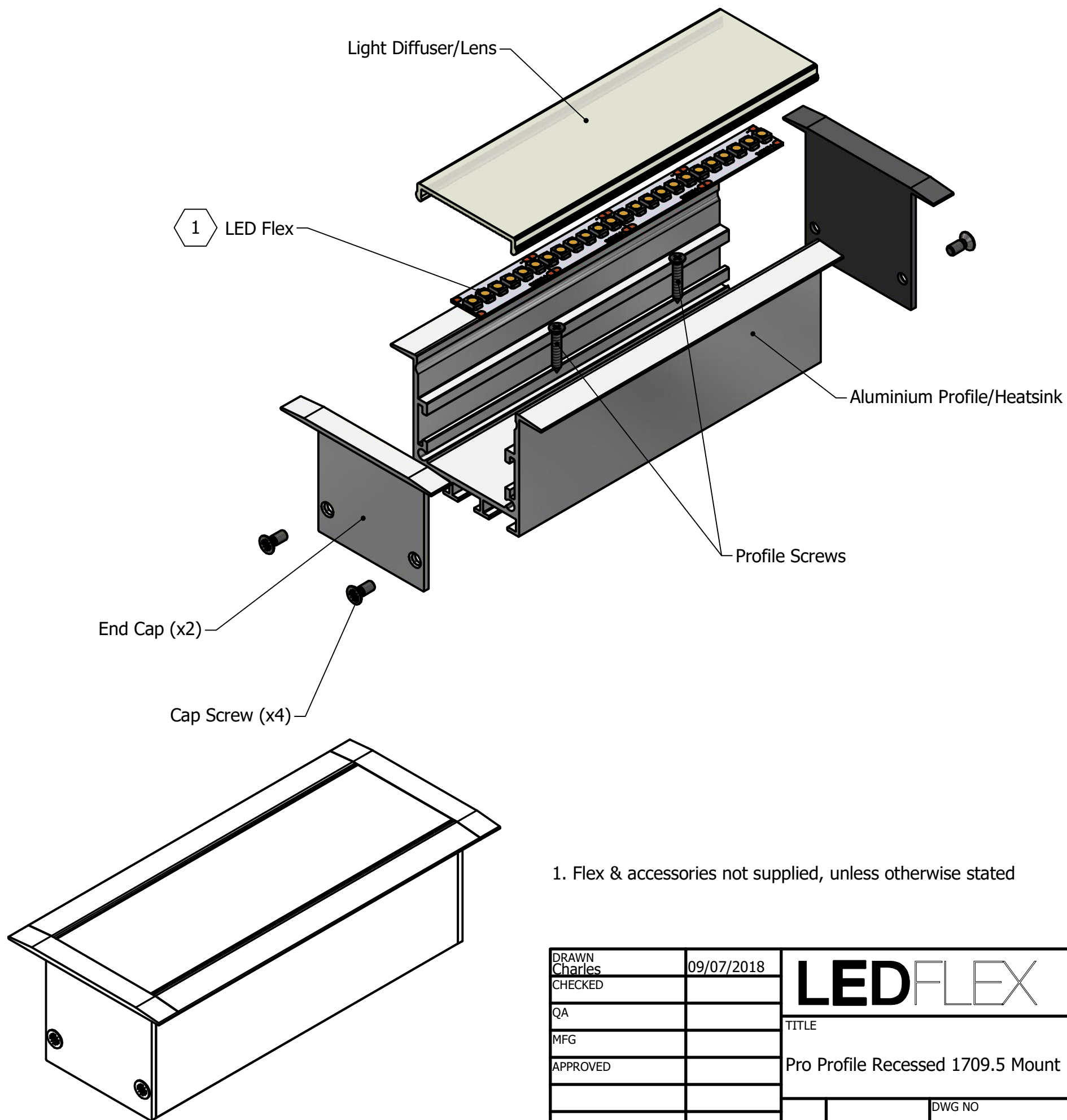
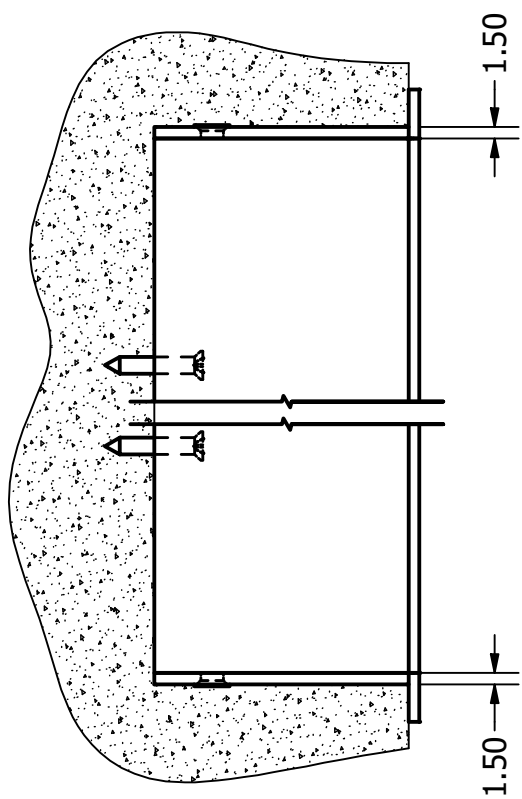
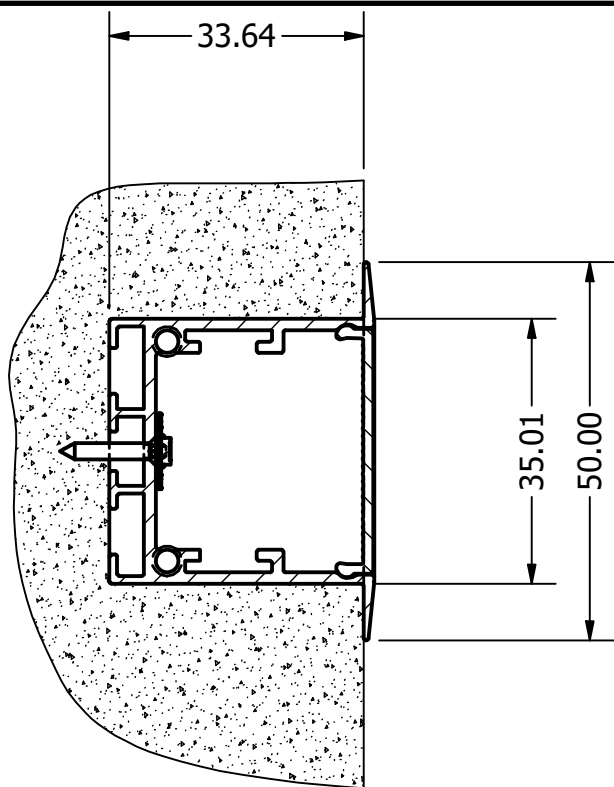


DRAWN Razvan	21/07/2015	<b>LED FLEX</b>	
CHECKED			
QA		TITLE	
MFG		Pro Profile Recessed 1709	
APPROVED			
		DWG NO	REV
17 Greenwich Business Park, London, SE10 9QF	0845 862 9001 0203 137 7305	SCALE 2:1	SHEET 1 OF 1

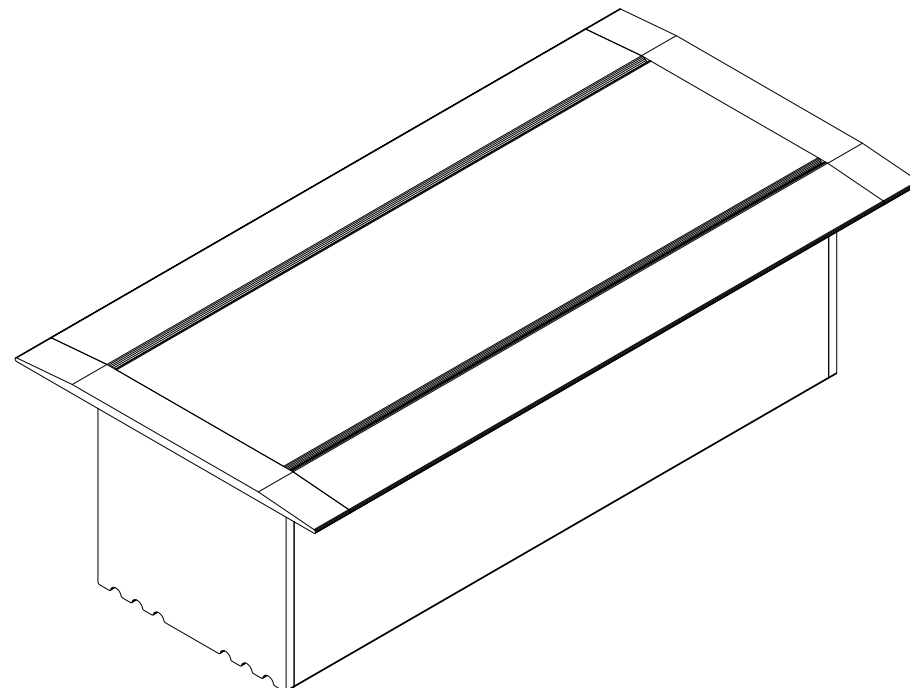
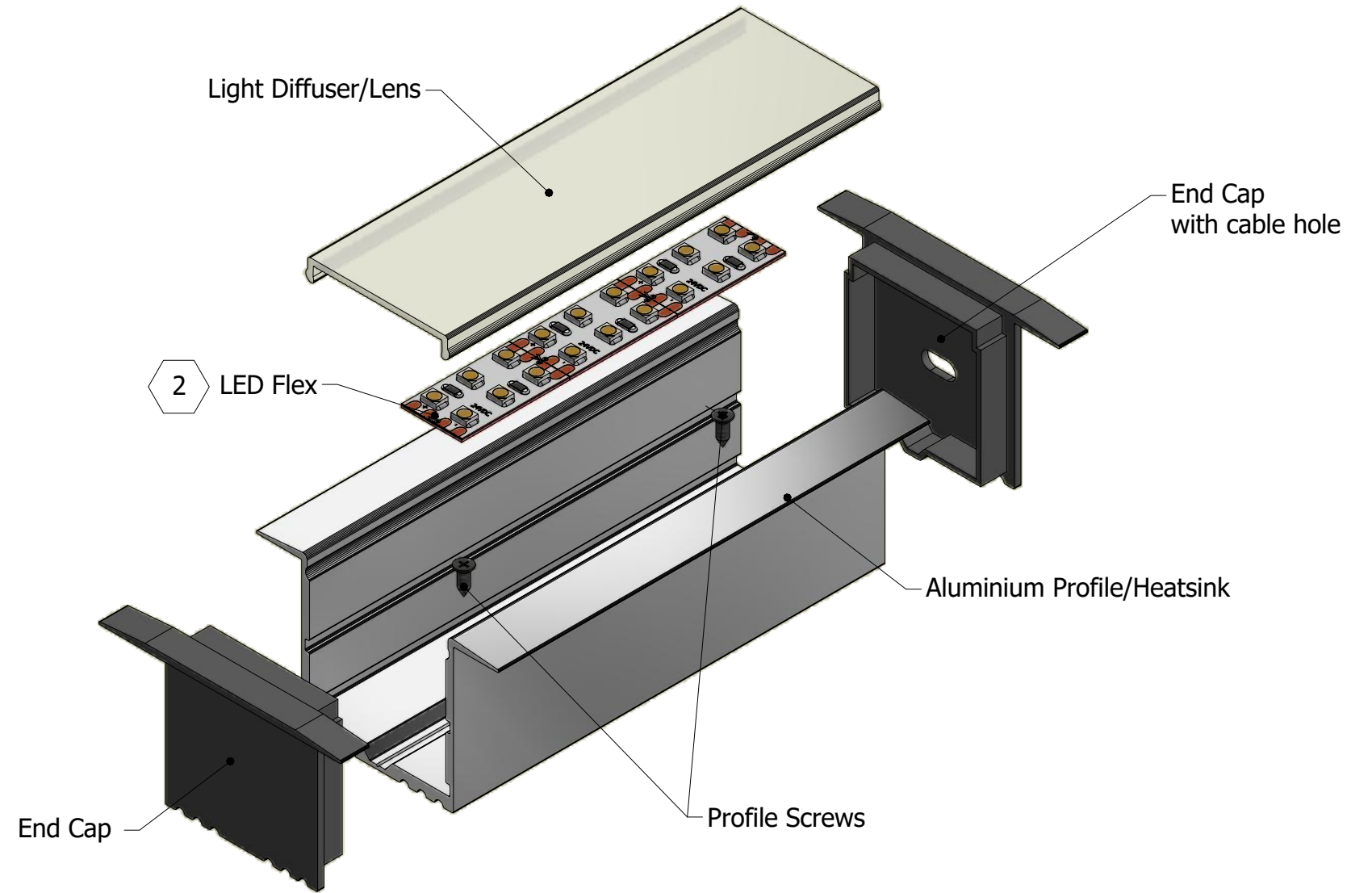
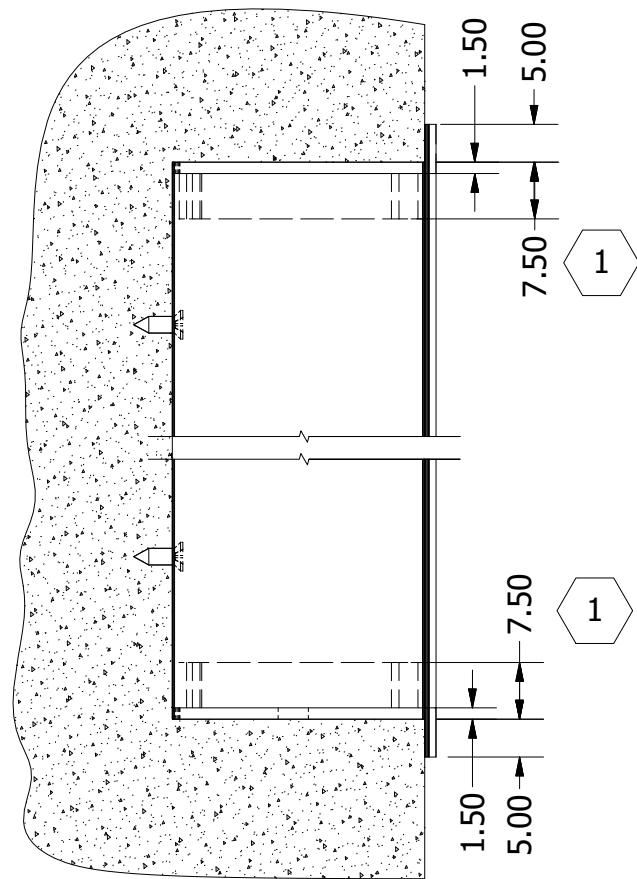
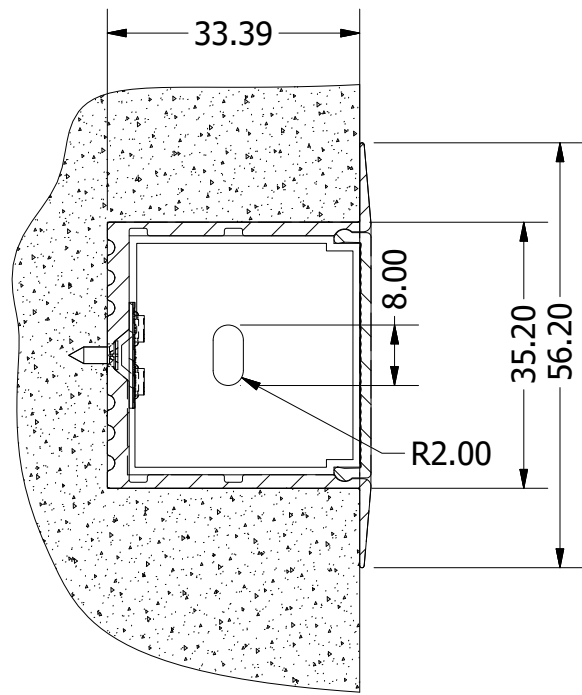


DRAWN Razvan	21/07/2015	<b>LED FLEX</b>	
CHECKED			
QA		TITLE	
MFG		Pro Profile Recessed 1709.5	
APPROVED			
		DWG NO	REV
17 Greenwich Business Park, London, SE10 9QF	0845 862 9001 0203 137 7305	SCALE 2:1	SHEET 1 OF 1



1. Flex & accessories not supplied, unless otherwise stated

DRAWN Charles	09/07/2018	<b>LED FLEX</b>	
CHECKED			
QA		TITLE	
MFG		Pro Profile Recessed 1709.5 Mount	
APPROVED			
		DWG NO	REV
17 Greenwich Business Park, London, SE10 9QF	0845 862 9001 0203 137 7305	SCALE 1:1	SHEET 1 OF 1



1. Consideration to be given to capped assemblies; caps may reduce surface available for LED strip
2. Flex & accessories not supplied, unless otherwise stated

DRAWN Razvan	09/07/2018	<b>LED FLEX</b>	
CHECKED			
QA		TITLE	
MFG		Pro Profile Recessed 1709 Mount	
APPROVED		DWG NO	REV
17 Greenwich Business Park, London, SE10 9QF	0845 862 9001 0203 137 7305	SCALE 1:1	SHEET 1 OF 1