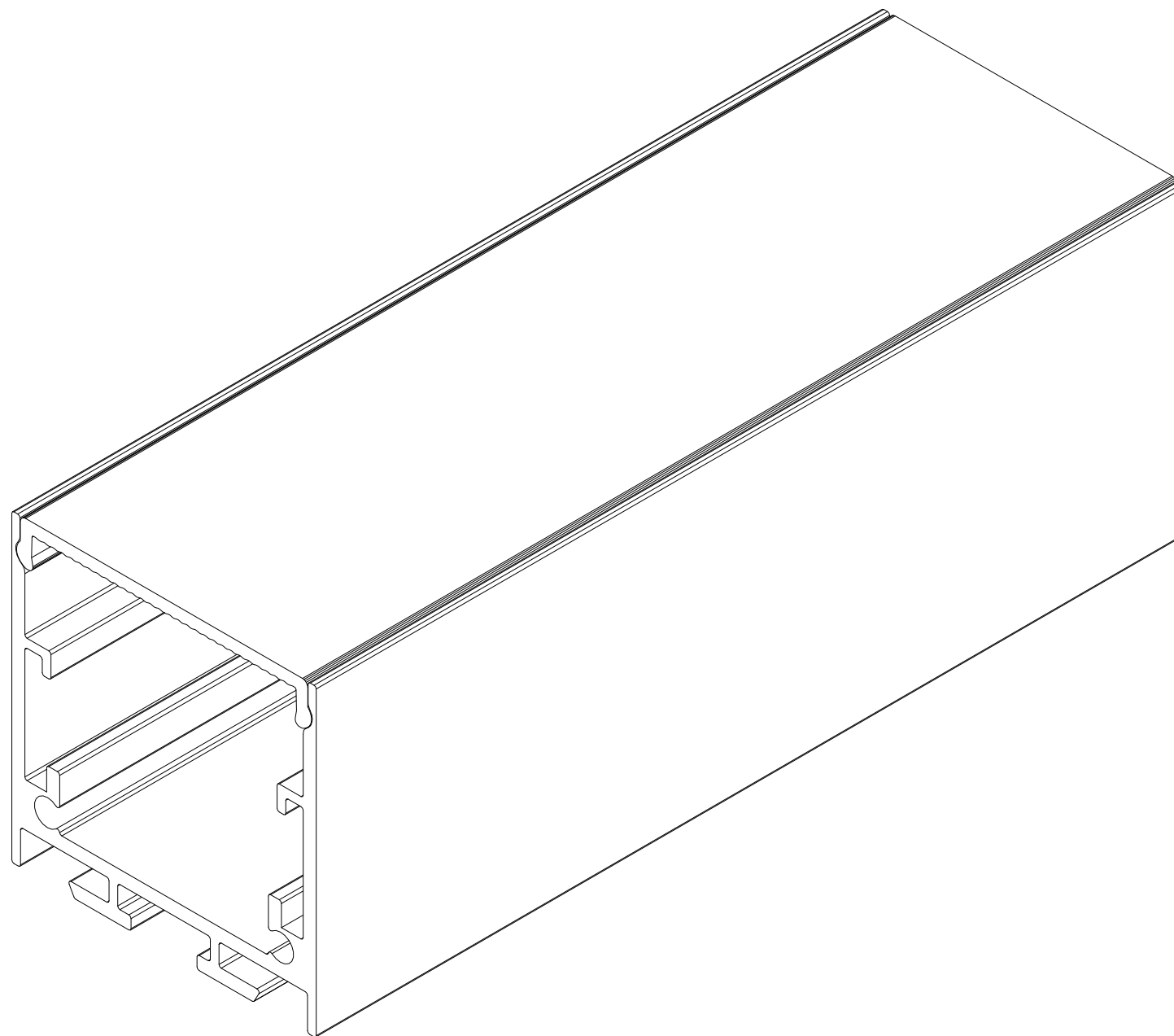
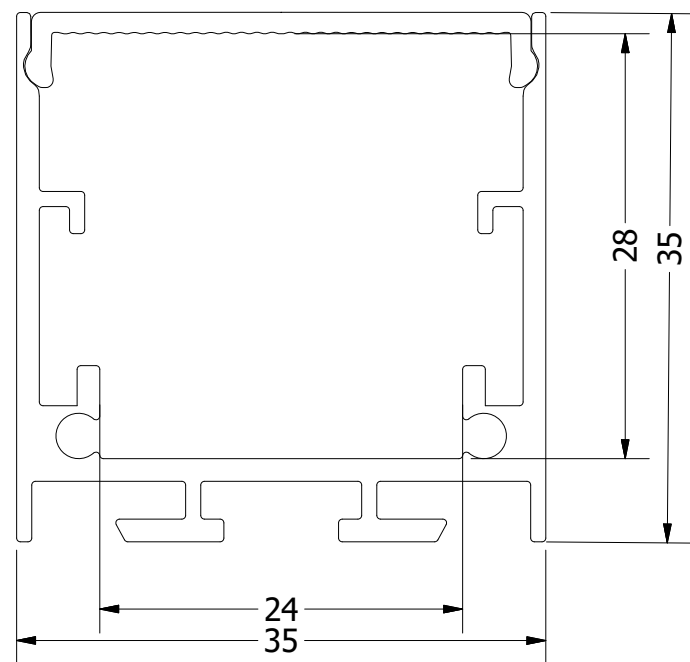
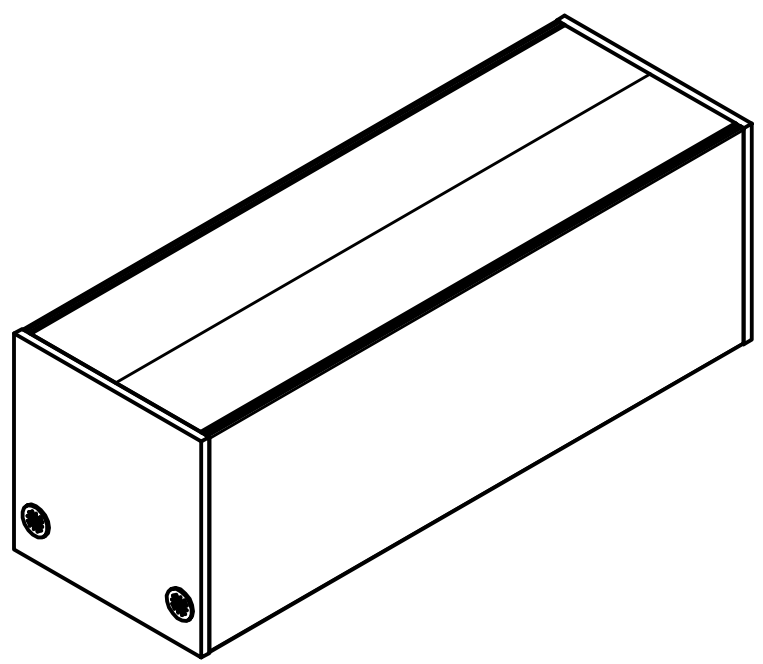
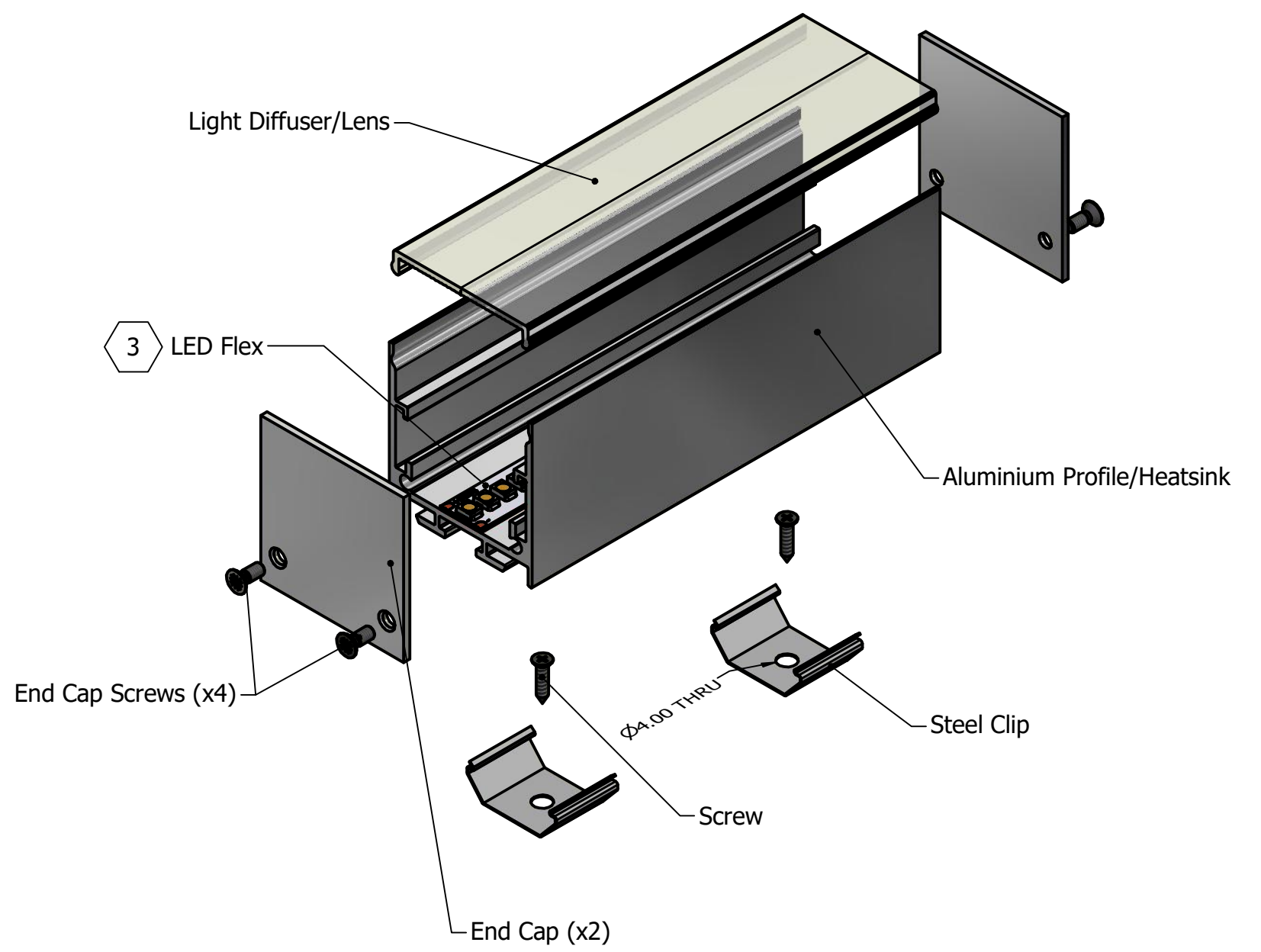
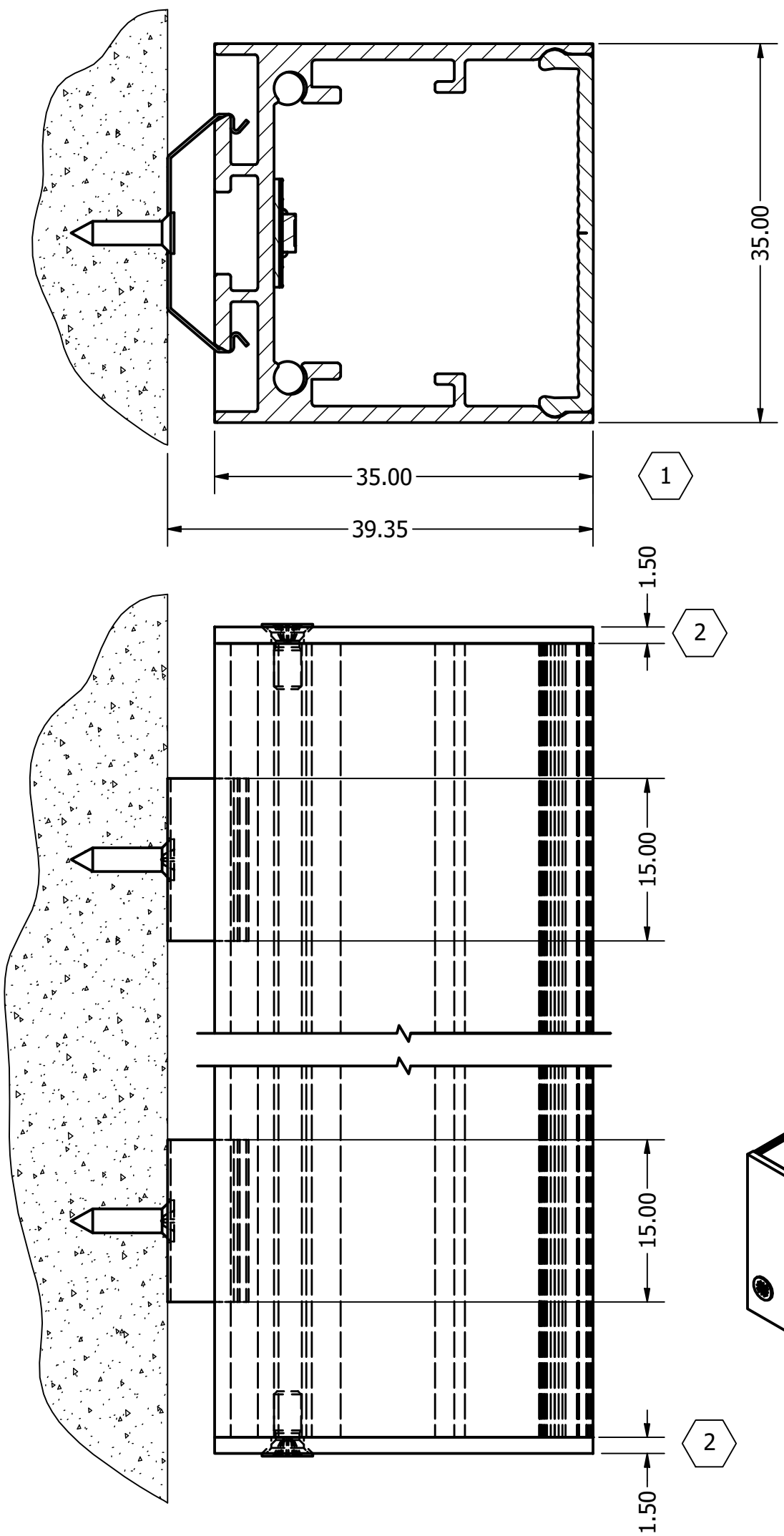


DRAWN Razvan	21/07/2015	LED FLEX	
CHECKED			
QA		TITLE	
MFG		Pro Profile Surface 1809	
APPROVED			
17 Greenwich Business Park, London, SE10 9QF	0845 862 9001 0203 137 7305	DWG NO	REV
SCALE 2:1		SHEET 1 OF 1	

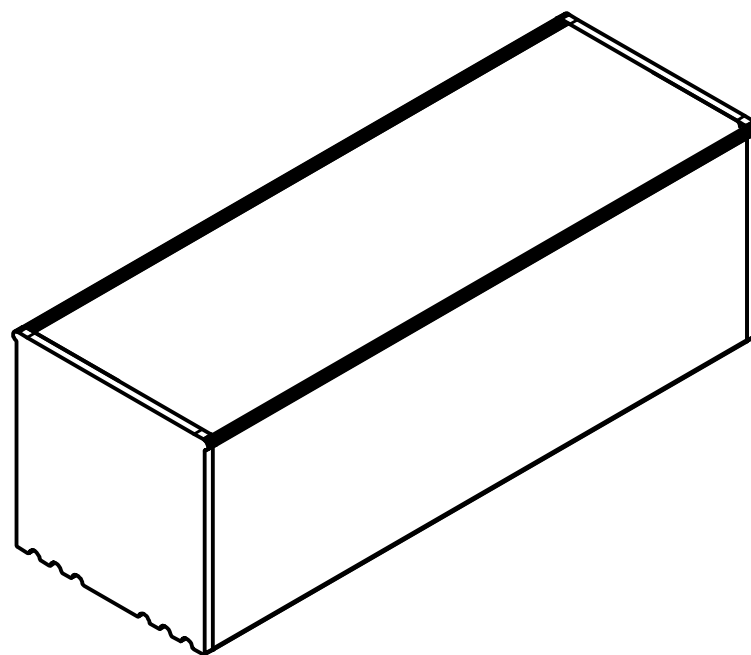
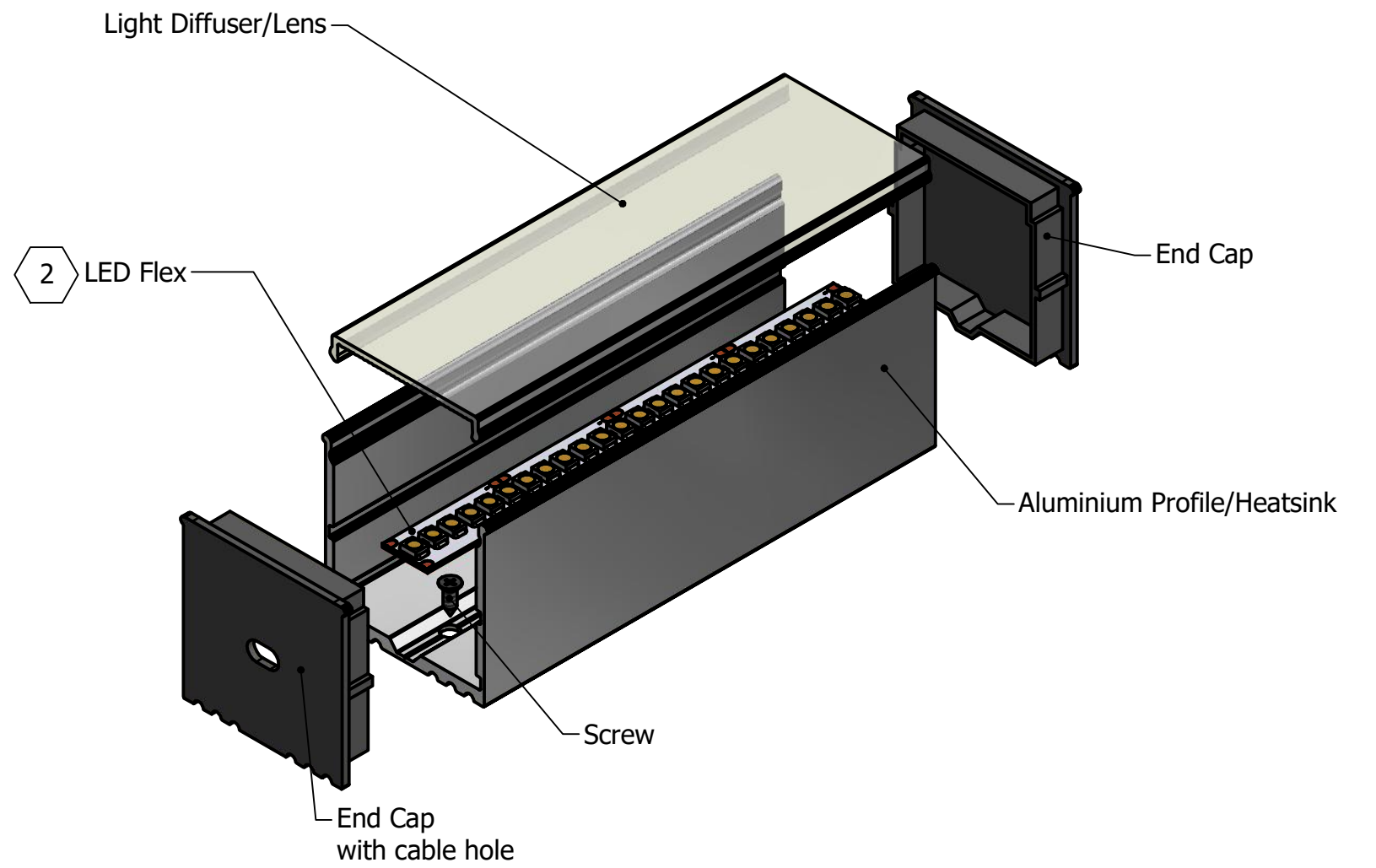
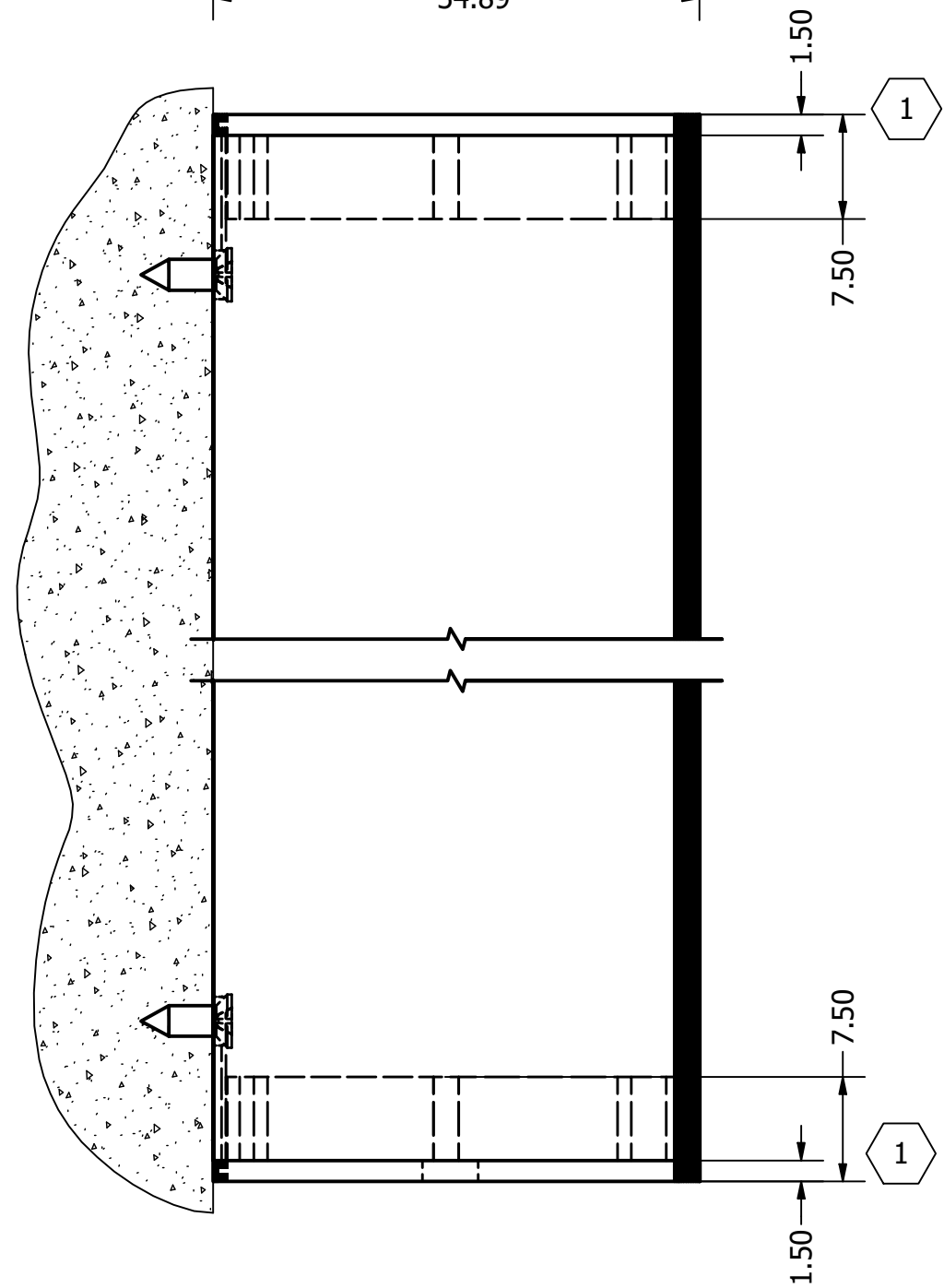
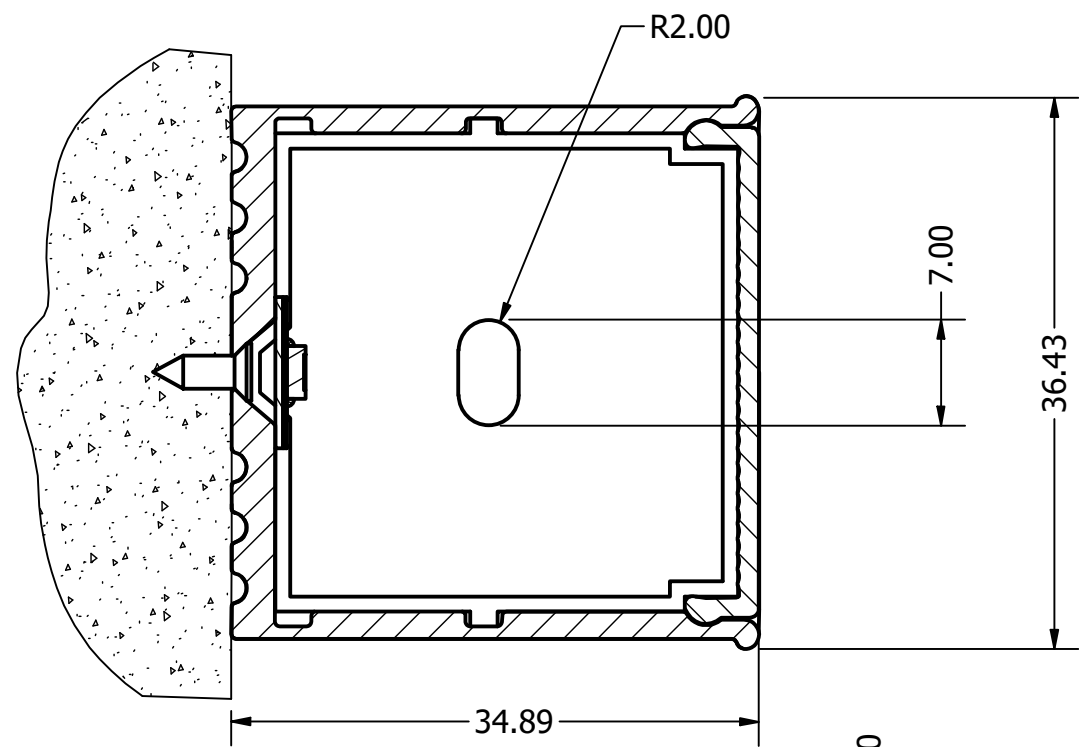


DRAWN Razvan	21/07/2015	LED FLEX	
CHECKED			
QA		TITLE	
MFG		Pro Profile Surface 1809.3	
APPROVED			
		DWG NO	REV
17 Greenwich Business Park, London, SE10 9QF	0845 862 9001 0203 137 7305	SCALE 2:1	SHEET 1 OF 1



1. Dimension A can vary based on the type of screw used.
2. Consideration to be given to capped assemblies; caps may reduce surface available for LED strip
3. Flex & accessories not supplied, unless otherwise stated

DRAWN Charles	09/07/2018	LED FLEX	
CHECKED			
QA		TITLE	
MFG		Pro Profile Surface 1809.3 Mount	
APPROVED			
		DWG NO	REV
17 Greenwich Business Park, London, SE10 9QF	0845 862 9001 0203 137 7305	SCALE 2:1	SHEET 1 OF 1



1. Consideration to be given to capped assemblies; caps may reduce surface available for LED strip
2. Flex & accessories not supplied, unless otherwise stated

DRAWN Charles	09/07/2018	LED FLEX	
CHECKED			
QA		TITLE	
MFG		Pro Profile Surface 1809 Mount	
APPROVED			REV
		DWG NO	
17 Greenwich Business Park, London, SE10 9QF	0845 862 9001 0203 137 7305	SCALE 2:1	SHEET 1 OF 1