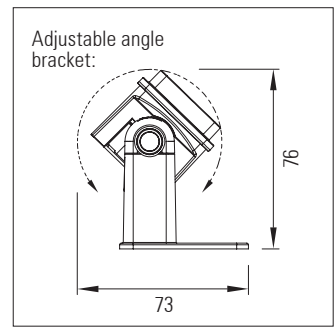
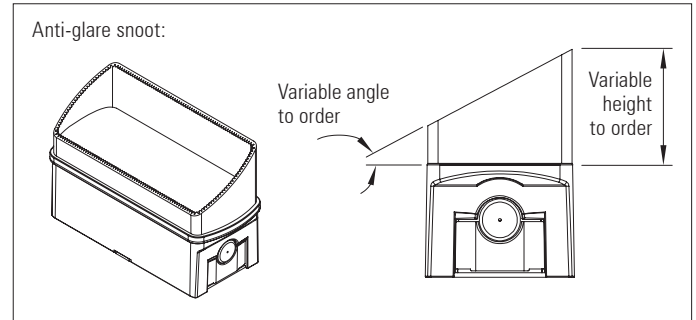
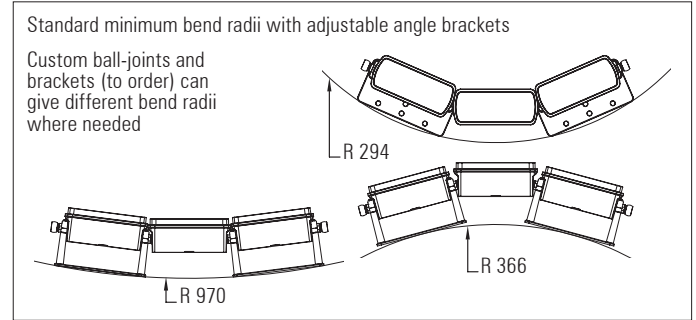
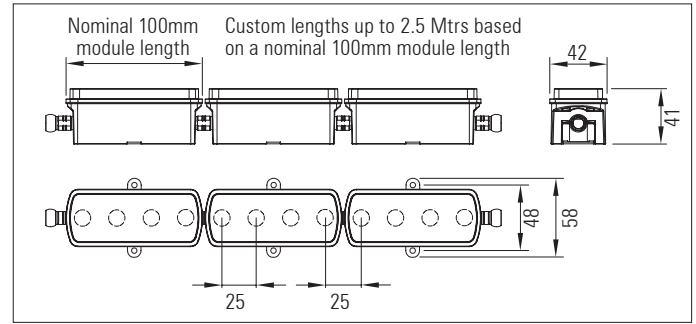


3D LED Flex 40 IP20

2 or 4 x high power LEDs with lenses per module

Modular, 3D flexible LED linear lighting system



Up to 3,500 Lumens per Mtr

2 or 4 x high power LEDs with lenses per module

Modular, 3D flexible LED linear lighting system

Product description:

For use in interior indirect cove lighting applications or direct wall washing applications where the building surfaces are non linear with curved profiles

Each module - 2 or 4 x Cree XP-E, XP-G or XQ-E LEDs or Osram Oslon LEDs with Ledil Tina lenses

Up to 4.5 Watts per 100mm module

30 Volt - 48 Volt DC supply depending on application

Flexible in 3 dimensions - Articulated ball-joint system between modules

LED pitch is maintained between the modules

Side, back and end power feed and connector options allow for continuous lighting with no dark areas between fixtures. 16 Amp IP20 connectors join fixtures together on-site

Integral LV constant current driver

Dimming options available: 1 - 10V, DMX and DALI

Various LED colour temperature and CRI options available

Satin black, satin white or any RAL paint colour finish

Custom lengths based on a 100 mm module up to 2.5 mtrs

Various mounting options and bracket types are available

* RGB, RGBW, RGBA and Dynamic-white options do not use a colour mixing lens. For a colour mixing lens version see the data sheet for the 3D LED Flex 40 IP20 with 1 x RGBW LED array with colour-blending lens per module

Product Code	No. of LEDs per mtr.	IP	Length (mm)	LED Type	Optics (°)	Colour Temp. (K)	CRI	Cover	Bracket Type	Feed	Finish
RAD 3D LED FLEX 40 IP20 HP - 4 L	40 LEDs per Mtr: 25mm pitch	20	100mm -increments of 100mm up to-	Cree: XP-E XP-G XQ-E	LEDil Tina2 lens & Cree XP-E LED: 11°, 12° diffused, 31°, 32+14°, 50° (Guide figures - see Ledil website for more options)	27=2,700k 30=3,000k 35=3,500k 40=4,000k 45=4,500k 50=5,000k * RGB * RGBW * RGBA * Dynamic white	Cree: 80 90 Osram: 95	Clear	Adjustable Fixed Custom	End Back Side	Black White Any RAL-colour
RAD 3D LED FLEX 40 IP20 HP - 2 L	20 LEDs per Mtr: 50mm pitch		2,500mm	Osram: Oslon							

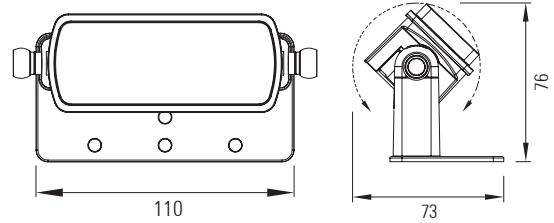
3D LED Flex 40 IP20

2 or 4 x high power LEDs with lenses per module

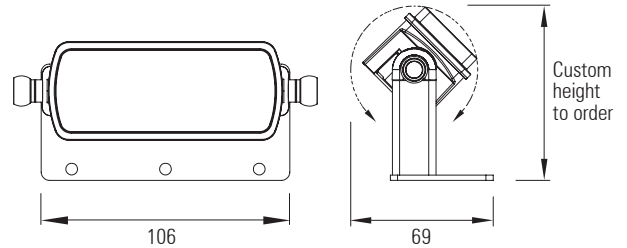
Adjustable angle mounting bracketry



Standard IP20 adjustable angle mounting bracket
Polycarbonate. Black or white finish.



Custom height IP20 adjustable angle mounting bracket
Aluminium. Powder coat finish.



Adjustable angle mounting bracketry for 3D LED Flex 40 IP20 and IP66

The 3D LED Flex 40 system is flexible in 3 dimensions, which allows it to follow curved building contours. Once they have been fixed to the building surface, adjustable angle brackets allow the modules to be rotated to any angle around the major axis, so that the light output can be aimed precisely.

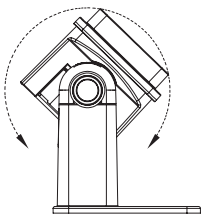
The angle of the modules can be adjusted easily on-site by hand. The friction ball-joint system keeps the modules correctly positioned. There is also a lockable option, where each module can be angled and then locked in place using an Allen key

Standard height versions, and a custom height version are available

There are IP20 Polycarbonate versions, standard IP66 versions and stainless-steel versions for more demanding exterior applications

Product code	IP	Height of legs (mm)	Finish
RAD 3D LED FLEX BRACKET PC	20 66	Stainless steel version only:	Polycarbonate:
RAD 3D LED FLEX BRACKET AL		20mm	Black White
RAD 3D LED FLEX BRACKET SS		-increments of 5mm up to- 100mm	Aluminium & Stainless steel: Black White Any RAL colour

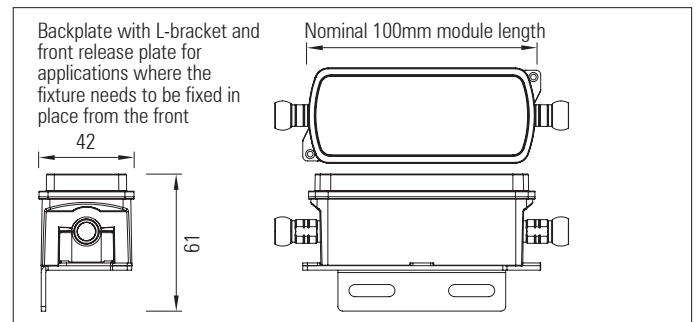
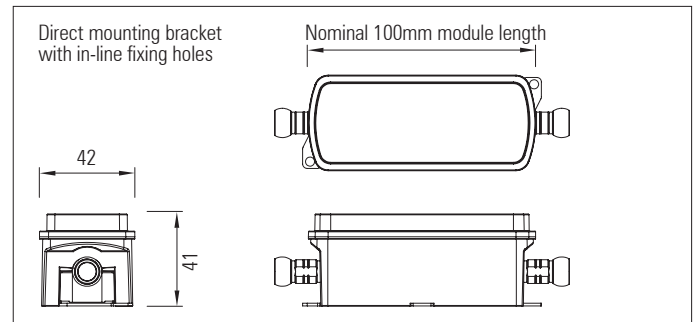
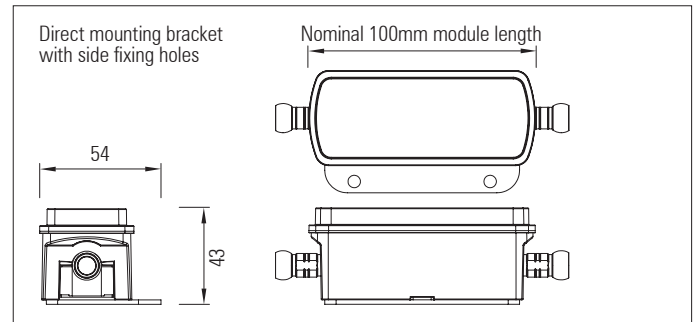
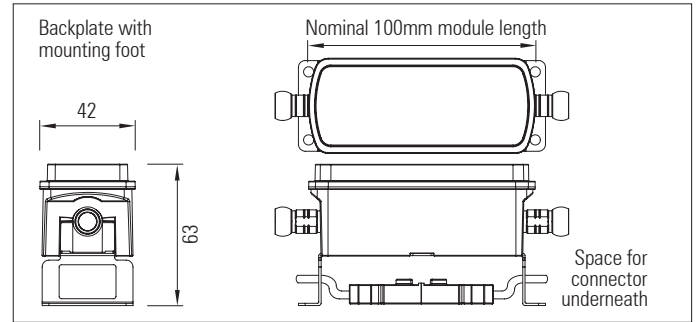
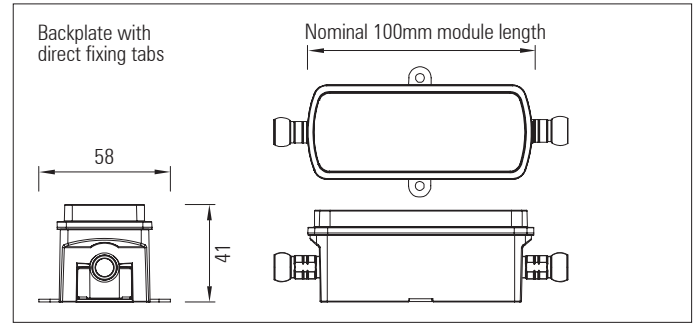
Angle can be adjusted on-site by hand



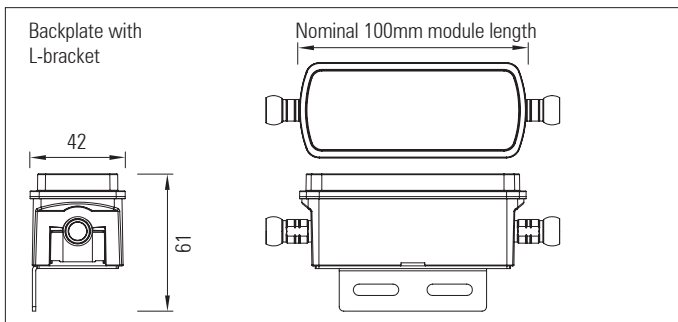
3D LED Flex 40 IP20

2 or 4 x high power LEDs with lenses per module

Fixed angle mounting bracketry

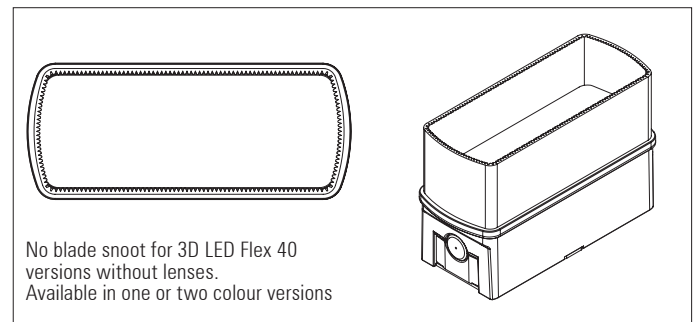
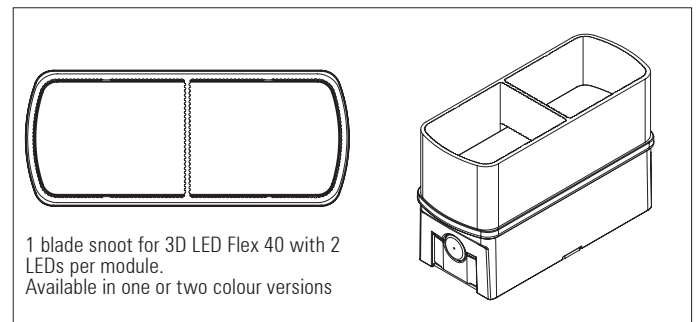
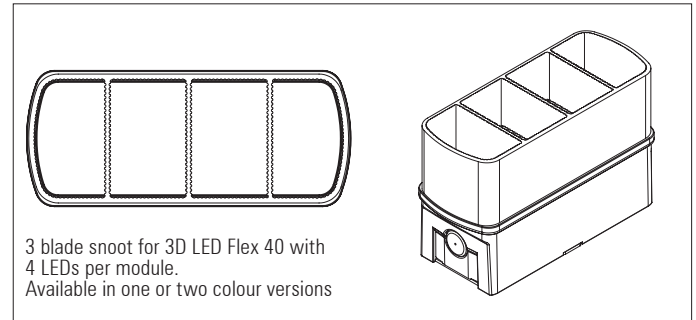
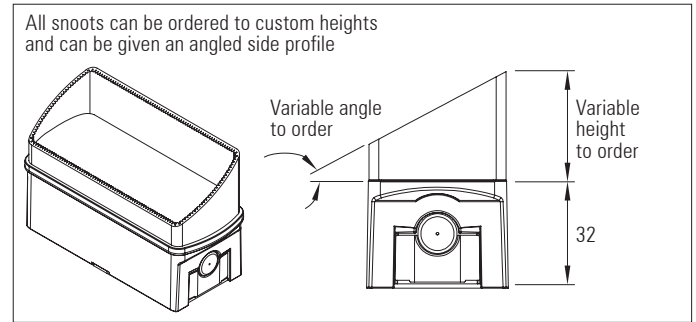


Product code	IP	Finish
RAD 3D LED FLEX 40 IP20 BRACKET DIRECT FIXING TABS	20	Black White Any RAL colour
RAD 3D LED FLEX 40 IP20 BRACKET WITH MOUNTING FOOT		
RAD 3D LED FLEX 40 IP20 DIRECT MOUNTING BRACKET SIDE FIXING		
RAD 3D LED FLEX 40 IP20 DIRECT MOUNTING BRACKET IN-LINE FIXING		
RAD 3D LED FLEX 40 IP20 DIRECT MOUNTING L-BRACKET FRONT FIXING		
RAD 3D LED FLEX 40 IP20 DIRECT MOUNTING L-BRACKET		



3D LED FLEX 40 IP20

Anti-glare accessories



3D LED FLEX 40 anti-glare accessories

For use with the 3D LED Flex 40 system IP20 to control light glare from the LEDs when the fixtures are not fully recessed

3 blade, 1 blade and no blade snoots are available for lensed and non lensed versions, and for when the modules have 1, 2 or 4 LEDs

Satin black, satin white or any RAL paint colour finish. Two colour versions are also available - eg. white finish on exterior & black finish on interior of snoot. Both interior and exterior parts can be any RAL colour paint finish, or any anodised finish

Custom height to order. Straight or any custom cut angle side-profile to order

The honeycomb louvre accessory provides excellent glare control with a low profile

Product Code	No. of blades	IP	Height (mm)	Cut angle of side-profile (°)	Finish
RAD 3D LED FLEX 40 SNOOT	0 1 3	20	20mm -increments of 5 mm up to-100mm	0° -increments of 5° up to-75°	Black White Any RAL colour Two colour - both parts can be any anodised or any RAL colour
RAD 3D LED FLEX 40 HONEY-COMB	NA	20	NA	NA	Black

