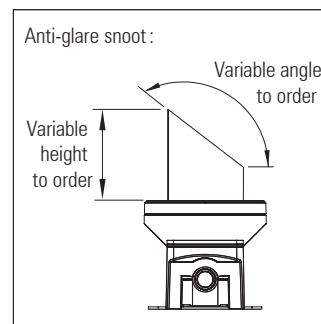
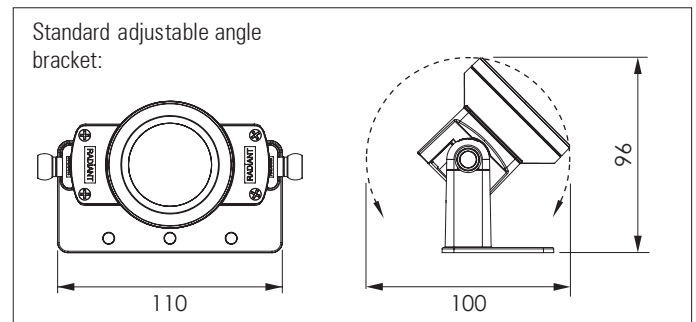
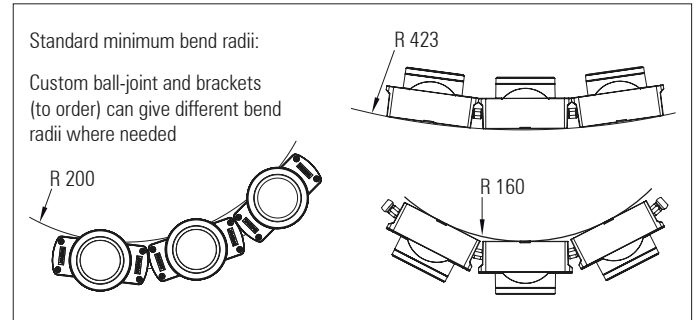
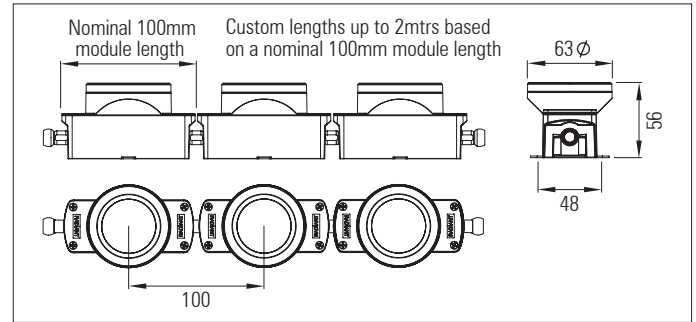


3D LED Flex system 40 RGBW IP20

1 x RGBW LED array with colour-blending lens per module

Modular, 3D flexible LED linear lighting system



1 x RGBW LED array with Gaggione colour-blending lens per module

Modular, 3D flexible LED linear lighting system

Product description:

For use in interior lighting applications where the building surfaces are non linear with curved profiles

Each module - 4 x Luxeon Z or C LEDs, with a highly efficient colour-blending Gaggione lens

Up to 4.5 Watts per 100mm module. Up to 48 V DC supply

Flexible in 3 dimensions - Articulated ball-joint system between modules

LED pitch is maintained between the modules

Side, back and end power feed options - continuous lighting between strips

Integral LV constant current driver or remote Eldoed 4 Channel DMX driver

16 Amp IP20 connectors join strips together on-site

Remote DMX / DALI controller can be located up to 50 mtrs from the LED system

Satin black, satin white or any RAL paint colour finish

Custom lengths based on a 100 mm module up to 2 mtrs

Various mounting options and bracket types are available

Product Code	No. of LEDs per mtr.	IP	Length (mm)	LED Type	Optics (°)	Colour Temp. (K)	CRI	Cover	Bracket Type	Feed	Finish
RAD 3D LED FLEX 40 IP20 RGBW - 4 L	40 LEDs per Mtr: (100mm spacing between LED arrays)	20	100mm -increments of 100mm up to- 2,000mm	Luxeon Z LEDs Luxeon C LEDs	Gaggione lenses: N - 5° M - 10° W - 17° E - 5x20° (Guide figures)	27=2,700k 30=3,000k 35=3,500k 40=4,000k 45=4,500k 50=5,000k RGB RGBW RGBA Dynamic white	80 90	Clear	Adjustable Fixed Custom	End Back Side	Black White Any RAL-colour