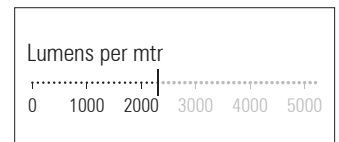
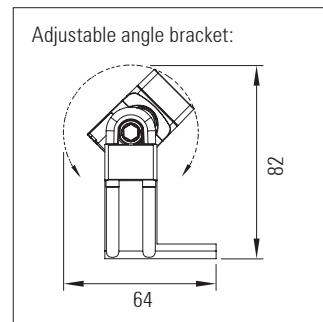
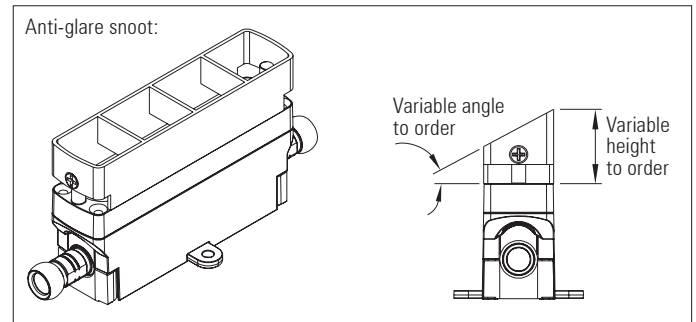
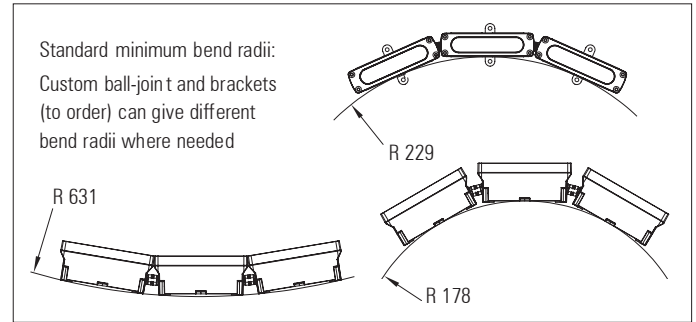
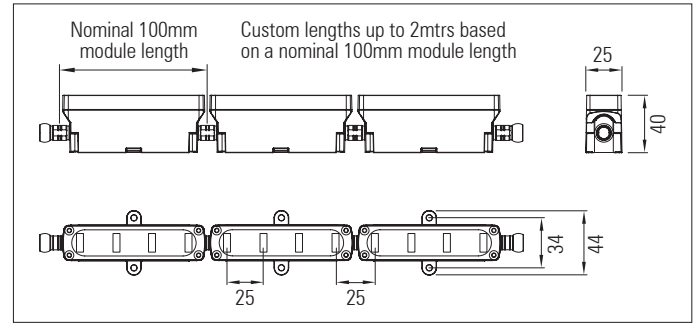


## 3D LED Flex system 25 IP66

8 or 12 x 0.3 Watt medium power LEDs with white reflector per module

Modular, 3D flexible LED linear lighting system



### 8 or 12 x 0.3 Watt medium power LEDs with white reflector per module

Modular, 3D flexible LED linear lighting system

#### Product description:

For use in exterior indirect cove lighting applications where the building surfaces are non linear with curved profiles

Each module - 8 or 12 x 0.3 Watt Osram, Samsung or Luminus LEDs, without lenses

Up to 3.5 Watts per 100mm module. 30 Volt DC supply

High efficiency white reflector

Flexible in 3 dimensions - Articulated ball-joint system between modules

LED pitch is maintained between the modules

Side, back and end power feed options - continuous lighting between strips

Integral LV constant current driver

16 Amp IP67 connectors join strips together on-site

Dimming options available: 1-10V, DMX and DALI. Separate dimming channel

Various LED colour temperature and CRI options available

Satin black, satin white or any RAL paint colour finish

Custom lengths based on a 100 mm module up to 2 mtrs

Various mounting options and bracket types are available

Product Code	No. of LEDs per mtr.	IP	Length (mm)	LED Type	Optics (°)	Colour Temp. (K)	CRI	Cover	Bracket Type	Feed	Finish
RAD 3D LED FLEX 25 IP66 0.3W - 8	80 LEDs per Mtr: 25mm pitch	66	100mm	0.3W LEDs:	110°	27=2,700k 30=3,000k 35=3,500k 40=4,000k 45=4,500k 50=5,000k Dynamic white	80 90	Clear Frosted	Adjustable Fixed Custom	End Back Side	Black White Any RAL- colour
RAD 3D LED FLEX 25 IP66 0.3W - 12	120 LEDs per Mtr: 25mm pitch		-increments of 100mm up to- 2,000mm	Osram Samsung Luminus							