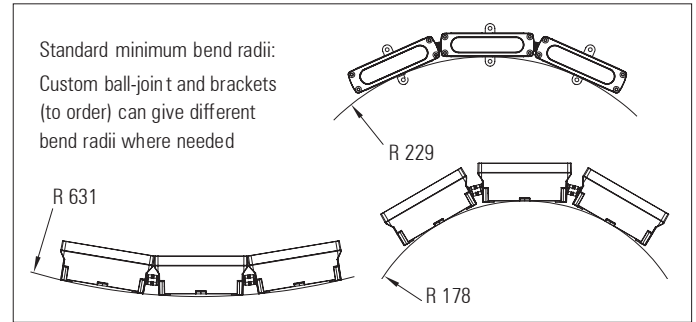
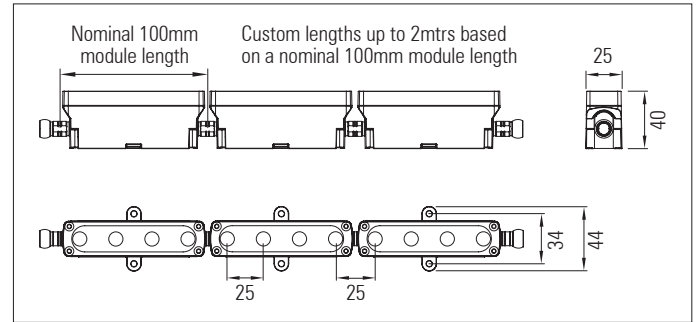


3D LED Flex system 25 IP66

2 or 4 x high power LEDs with lenses per module
Modular, 3D flexible LED linear lighting system



2 or 4 x high power LEDs with lenses per module

Modular, 3D flexible LED linear lighting system

Product description:

For use in exterior indirect cove lighting or direct wall washing applications where the building surfaces are non linear with curved profiles

Each module - 2 or 4 x Cree XPE, XPG or XQE LEDs LEDs with Ledil Lisa lenses

Up to 3.5 Watts per 100mm module

30 Volt - 48 Volt DC supply depending on application

Flexible in 3 dimensions - Articulated ball-joint system between modules

LED pitch is maintained between the modules

Side, back and end power feed options - continuous lighting between strips

Integral LV constant current driver

16 Amp IP67 connectors join strips together on-site

Dimming options available: 1-10V, DMX and DALI. Separate dimming channel

Various LED colour temperature and CRI options available

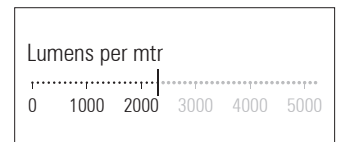
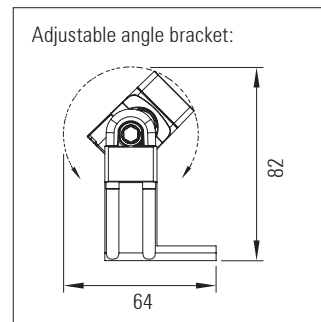
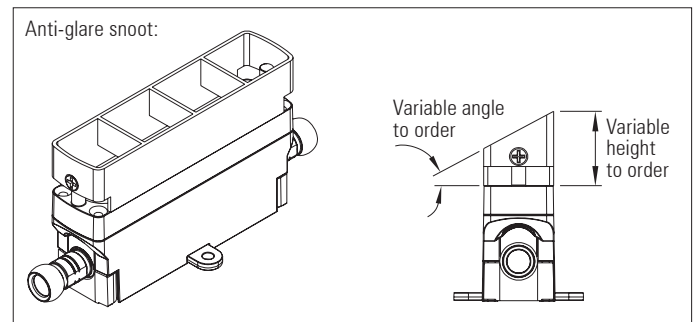
Satin black, satin white or any RAL paint colour finish

Custom lengths based on a 100 mm module up to 2 mtrs

Various mounting options and bracket types are available

Low iron UV block glass covers or UV stable polycarbonate windows

* RGB, RGBW, RGBA and Dynamic-white options do not use a colour mixing lens



Product Code	No. of LEDs per mtr.	IP	Length (mm)	LED Type	Optics (°)	Colour Temp. (K)	CRI	Cover	Bracket Type	Feed	Finish
RAD 3D LED FLEX 25 IP66 HP - 4 L	40 LEDs per Mtr: 25mm pitch	66	100mm	Cree: XPE XPG XQE	Ledil Lisa lens & Cree XPE LED: 19°, 20°, 35°, 45°, 45x20°, 20x50°, 80°	27=2,700k 30=3,000k 35=3,500k 40=4,000k 45=4,500k 50=5,000k	80 90	Clear	Adjustable Fixed Custom	End Back Side	Black White Any RAL-colour
RAD 3D LED FLEX 25 IP66 HP - 2 L	20 LEDs per Mtr: 50mm pitch		-increments of 100mm up to- 2,000mm		(Guide figures - see Ledil website for more options)	* RGB * RGBW * RGBA * Dynamic white					