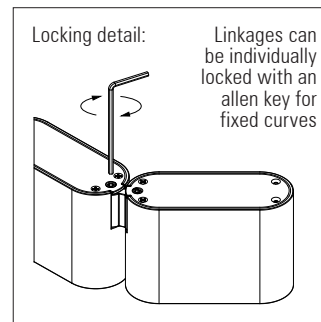
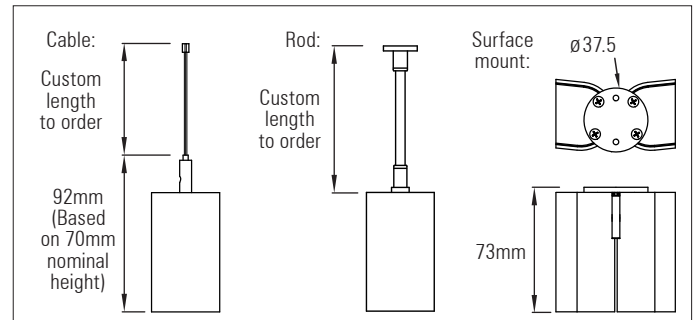
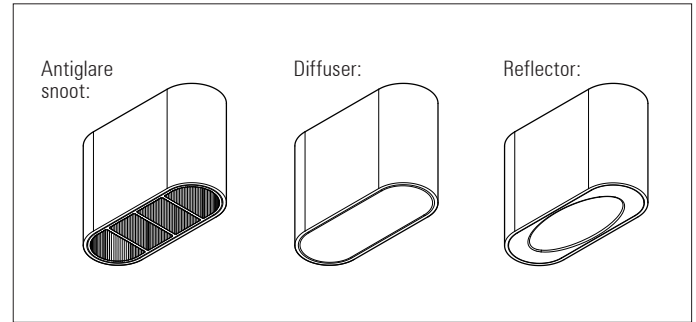
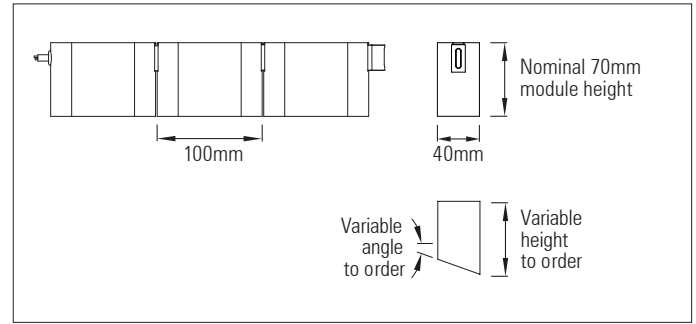
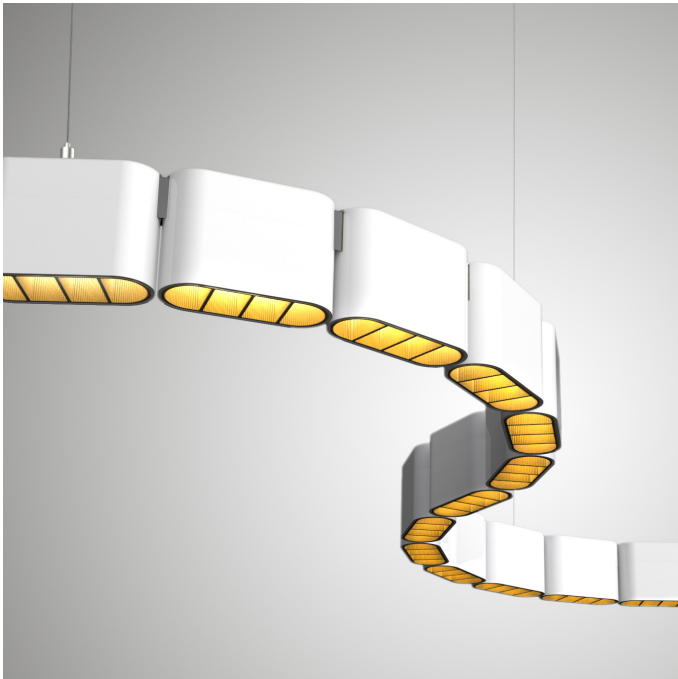


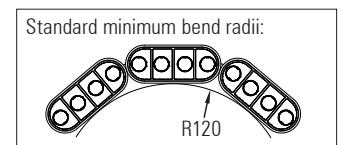
Centura 40 IP20

Flexible modular LED pendant lighting system IP20

Down light - 4 x high power LEDs with lenses per module



Up to 3,500 Lumens per Mtr



Down light - 4 x high power LEDs with lenses per module

Modular flexible LED pendant lighting system IP20 - down light

Product description:

Centura has an articulated linkage-joint system between modules allowing for flexibility along the major axis.

An innovative and modular design offers the flexibility to follow curved surfaces, encircle columns and domes, and to make irregular shaped pendants, all whilst offering excellent lighting control and uniformity.

Each module - 4 x Cree XP-E, XP-G or XQ-E LEDs or Osram Oslon LEDs with Ledil Tina lenses

5 Watts per 100mm module

Up to 48 Volt DC supply

Integral LV constant current driver

Dimming options available: 1 - 10V, DMX and DALI

Various LED colour temperature and CRI options available

Satin black, satin white or any RAL paint colour finish for outer body finish

Decorative anti-glare louvred snoots available with custom powder coat or anodized finishes to order. The interior louvre finish can be different from the outer body finish of the modules

Custom lengths based on a 100 mm module up to 2 mtrs

Rod, cable or surface mount options

* RGB, RGBW, RGBA and Dynamic-white options do not use a colour mixing lens. See Centura 60 IP20 data sheets for versions with colour-blending Gaggione lens.

Product Code	No. of LEDs per mtr.	IP	Length (mm)	LED Type	Optics (°)	Colour Temp. (K)	CRI	Cover	Mounting Type	Cut angle (°)	Finish
RAD CENTURA 40 FLEXIBLE DOWN IP20	40 LEDs per Mtr: 25mm pitch	20	100mm -increments of 100mm up to- 2,500mm	Cree: XP-E XP-G XQ-E Osram: Oslon	Ledil Tina2 lens & Cree XP-E LED: 11°, 12° diffused, 31°, 32+14°, 50° (Guide figures - see Ledil website for more options)	27=2,700k 30=3,000k 35=3,500k 40=4,000k 45=4,500k 50=5,000k * RGB * RGBW * RGBA * Dynamic white	Cree: 80 90 Osram: 95	Anti-glare snoot Diffuser Asymmetric reflector	Steel Cable Surface mounted Fixed rod	0° -increments of 5° up to- 75°	Body: Black White Any RAL-colour powder coat Louvre: Any anodise or powder coat finish