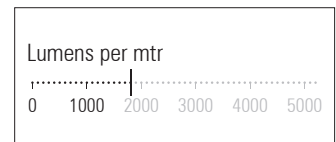
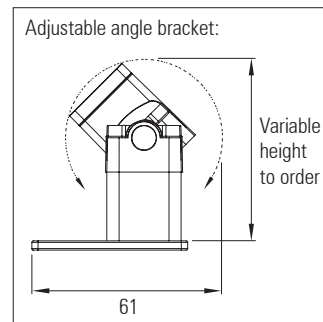
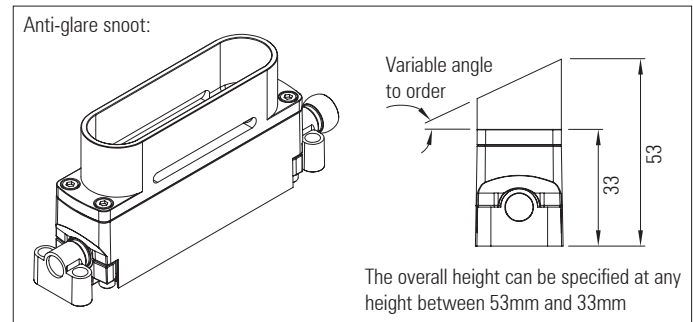
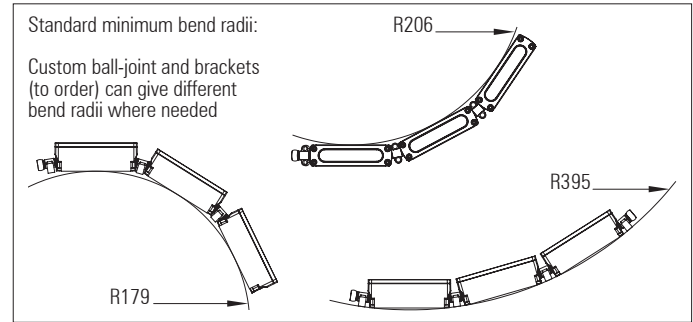
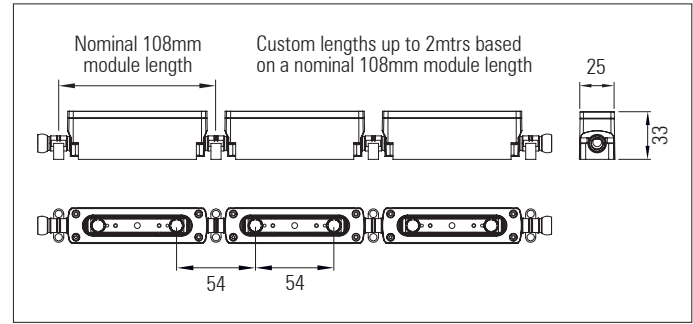
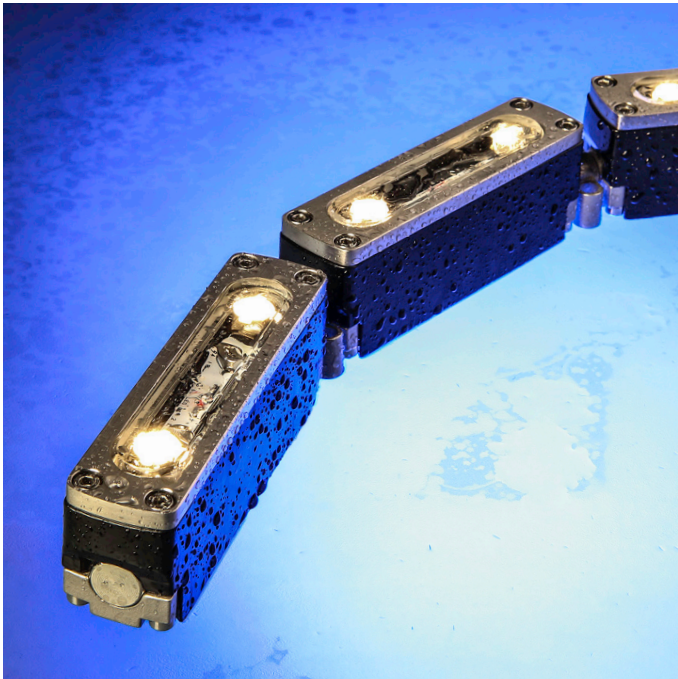


3D LED Flex system 25 IP68

1 or 2 x high power LEDs with lenses per module
Modular, 3D flexible LED linear lighting system



1 or 2 x high power LEDs with lenses per module

Modular, 3D flexible LED linear lighting system

Product description:

- For use in underwater applications where curved lines of light are needed
- Each module - 1 or 2 x Cree XPE, XPG or XQE LEDs with Ledil Lisa lenses
- Up to 2.5 Watts per 100mm module
- 30 Volt - 48 Volt DC supply depending on application
- Flexible in 3 dimensions - Articulated ball-joint system between modules
- Submersible to 2 mtrs depth

System components cast in 316 L stainless steel - suitable for use in saline and chlorine environments including pools, fountains and marine projects

LED pitch is maintained between the modules

- Side, back and end power feed options - continuous lighting between strips
- Integral LV constant current driver - internal driver boards are potted in silicone resin
- 16 Amp IP68 connectors join strips together on-site
- Dimming options available: 1-10V, DMX and DALI. Separate dimming channel
- Various LED colour temperature and CRI options available
- Satin black, satin white or any RAL paint colour finish
- Custom lengths based on a 100 mm module up to 2 mtrs
- Various mounting options and bracket types are available
- Low iron UV block pressed glass windows are bonded to the module bodies

* RGB, RGBW, RGBA and Dynamic-white options do not use a colour mixing lens

Product Code	No. of LEDs per mtr.	IP	Length (mm)	LED Type	Optics (°)	Colour Temp. (K)	CRI	Cover	Bracket Type	Feed	Finish
RAD 3D LED FLEX 20 IP68 HP - 1 L	10 LEDs per Mtr: 108mm pitch	68	100mm	Cree: XPE XPG XQE	Ledil Lisa lens & Cree XPE LED: 19°, 20°, 35°, 45°, 45x20°, 20x50°, 80°	27=2,700k 30=3,000k 35=3,500k 40=4,000k 45=4,500k 50=5,000k	80 90	Clear	Adjustable Fixed Custom	End Back Side	Black White Any RAL-colour
RAD 3D LED FLEX 20 IP68 HP - 2 L	20 LEDs per Mtr: 54mm pitch		-increments of 100mm up to- 2,000mm		(Guide figures - see Ledil website for more options)	* RGB * RGBW * RGBA * Dynamic white					