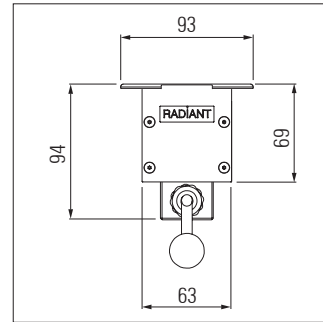
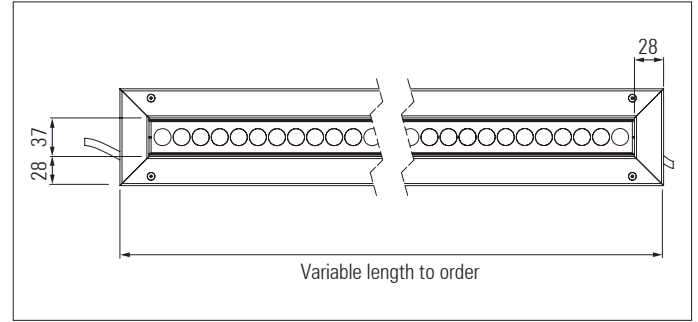


# Euclid 60 IP68 In-Ground

Buried LED linear lighting system IP68  
for custom built-in architectural details



### Euclid 60 IP68 In-Ground

Buried LED linear lighting system IP68 for custom built-in architectural details

#### Product description:

The Euclid 60 system has been developed for use in exterior wall grazing lighting applications. It is IP68 rated to 100mm depth

The high power optical system has been developed to produce an ultra narrow, dot free, line of light

Light engine options: mid-power Osram, Samsung or Luminus LEDs with a linear lens and narrow optical film, or high power Cree or Osram LEDs with Ledil Tina2 lenses

Up to 60 Watts per Mtr

The system incorporates mains voltage dimmable drivers. 230 V AC input

Various dimming options available: 1 - 10, DALI, DMX. Separate dimming channel

A wide range of LED colour temperatures and CRI options are available

Custom lengths based on a 100 mm module up to 2 mtrs

Side, back or end power feed options are available. The system can be linked together on site and fed from a single feed point

There are various bezel frame options available

Anti-glare micro-louvres or honeycomb louvres provide excellent visual comfort

A hard-anodized finish option provides long-lasting corrosion resistance. The stainless steel bezel can be polished or black, white or any RAL paint colour finish

The luminaire is durable with a walk over rated glass window

\* RGB, RGBW, RGBA and Dynamic-white options do not use a colour mixing lens

#### Lumens per mtr



EN  
60598



Product Code	No. of LEDs per mtr.	IP	Length (mm)	LED Type	Optics (°)	Colour Temp. (K)	CRI	Cover	Anti-glare accessory	Feed	Finish
EUCLID 60 IP68 IN - GROUND	80 x high power LEDs with lenses per Mtr	68	100mm	Cree: XPE, XPG, XQE	Linear lens: 14°, 20°, 30°, 45°, 35+15° (Guide figures)	27=2,700k 30=3,000k 35=3,500k 40=4,000k 45=4,500k 50=5,000k	Cree: 80 90	Clear	Honeycomb louvre	End Back Side	Stainless steel bezel:
	160 x mid power LEDs with a linear lens per Mtr		-increments of 100mm up to- 2,000mm	Osram: Oslon	Linear lens: 40°	* RGB * RGBW * RGBA * Dynamic white	Osram: 95	Dot free opal	Micro louvre		Polished