

RAD Cube 95 System

RGBW IP65 Wall Uplights

Product description:

The RAD Cube IP 65 architectural wall light incorporates a single multi chip LED array, narrow beam colour mixing lens and DMX driver controller. The LED array can be supplied in RGB, RGBW, RGBA, dynamic white and fixed colour white versions.

The colour mixing lens works with the RGBW LED arrays to create a well blended colour output even with a small off - set distance from the wall

The LED and lens are angled at 15 degrees to direct more light onto the mounting surface

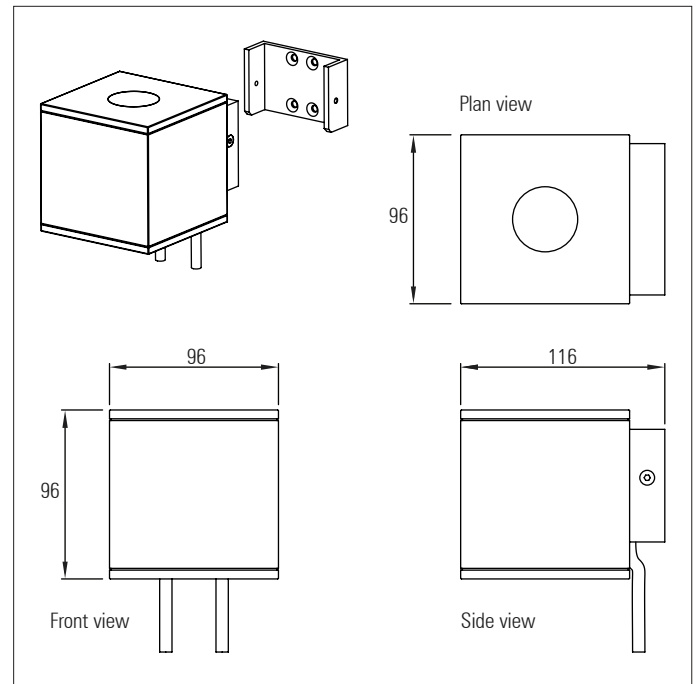
The luminaires can be linked together in a chain with 5 core exterior grade cable and IP 65 connectors for easy wiring

The mult chip LED array can be run at up to 10 Watts producing approx 700 lumens depending on LED configuration

The housing is produced in marine grade aluminium coated with 5 year exterior grade powder coat. The housing can be supplied in any RAL colour

Low iron flush glass window - sealed with foam silicone gaskets. The driver circuit is enclosed in silicone gel to ensure many years of trouble free exterior use

Up, up and down, and down versions as well as single, twin and three way options



Product Code	IP	Light direction	Configuration	Colour Temp. (K)	CRI	Optics	Finish
RAD CUBE 95	20 65	Up Up & down Down	Single Twin Triple	27=2,700k 30=3,000k 40=4,000k 45=4,500k 50=5,000k RGB RGBW RGBA Dynamic white	80 90	120° E W M N	Black White Any RAL colour