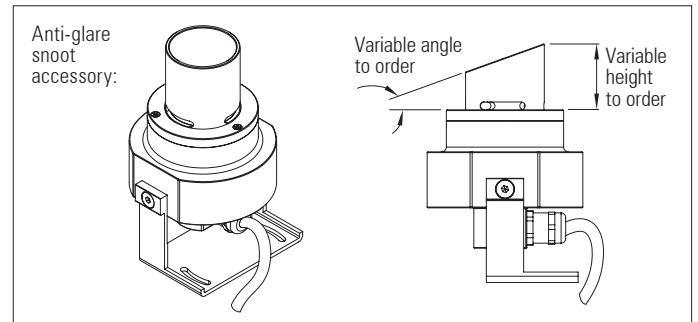
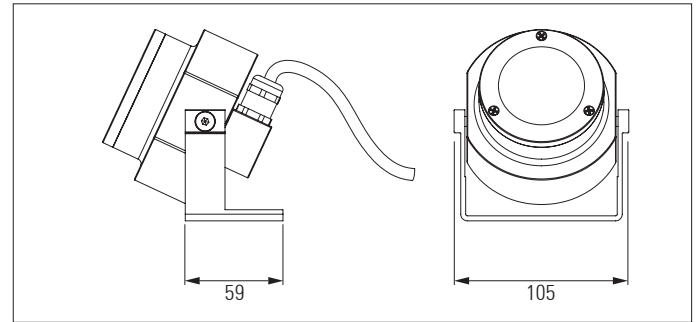
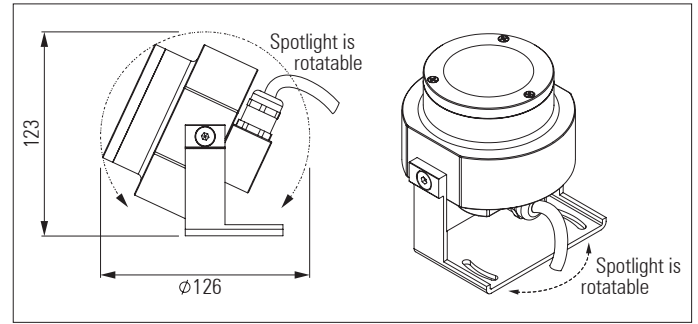


D100 IP65 Spotlight

Exterior LED spotlight range



D100 IP65 Spotlight

Exterior LED spotlight range with integral LV DC to DC driver or remote AC to DC driver

Product description:

The D100 IP65 spotlight range has been developed for use in architectural, landscape and garden lighting applications where powerful, highly controlled lighting effects are required from a low profile luminaire

Each spotlight comprises 4 x Luxeon Z or CZ RGBW LEDs, with a highly efficient colour-blending Gaggione lens, or a single colour-temperature white-light Citizen or Bridgelux LED COB with a Ledil Mirella reflector

Up to 10 Watts per Spotlight

A wide range of LED colour temperature and CRI options are available

Rotatable in two axes using the adjustable angle brackets. Other mounting brackets are also available including custom designs

Both integral LV DC to DC driver and remote AC to DC driver versions are available - internal driver boards are potted in silicone resin

Satin black, satin white or any RAL colour finish

A wide variety of anti glare, beam control and colour filter accessories are available, including customisable anti-glare snoots which provide excellent visual comfort

Various dimming options available: 1 - 10, DALI, DMX. Separate dimming channel

Black, white or any RAL paint colour finish

Lumens per spotlight



EN
60598



Product Code	IP	LED Type	Colour Temp. (K)	CRI	Cover	Optics (°)	Fixing Type	Finish	Anti-glare accessory
D100 IP65 REMOTE DRIVER	65	Luxeon: Z LEDs CZ LEDs	27=2,700k 30=3,000k 35=3,500k 40=4,000k	80 90	Clear Opal	Citizen COB with Ledil reflector: 15°, 30°, 40°, 80°	Adjustable angle bracket	Black White	Snoot: Height: 20mm to 150mm (increments of 5 mm)
D100 IP65 INTEGRAL DRIVER		Citizen or Bridgelux LED COB	45=4,500k 50=5,000k RGB RGBW RGBA Dynamic white	95		Luxeon Z LEDs with Gaggione lens: 5°, 10°, 17°, 5x20° (Guide figures)	Custom	Any RAL colour	Cut-angle: 0° to 75° (increments of 5°) Honeycomb louvre