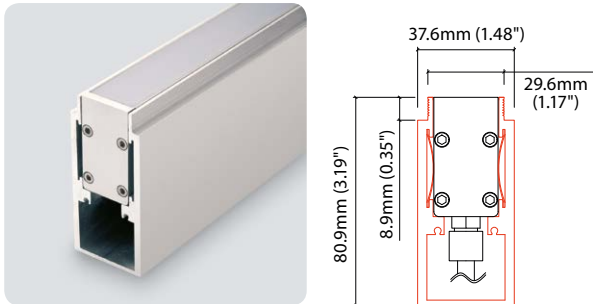




MOUNTING OPTIONS



KKFR-03*

Ground box

Anodised aluminium finish

* Specify length to match MoMo-F

CONNECTORS



CN67-2P-0300 300mm (11.81") pair
CN67-2P-1000 1000mm (39.37") pair
CN67-2P-3000 3000mm (118.11") pair

IP67

2 PIN male + female connector set



CN67-4P-0300 300mm (11.81") pair
CN67-4P-1000 1000mm (39.37") pair
CN67-4P-3000 3000mm (118.11") pair

IP67

4 PIN RGB male + female connector set

EXTERIOR JUNCTION BOXES



KKJB-07

IP67 Slim J-Box
(including type A,B,C bushings)



KKJB-07R

Potting Resin for IP67 Slim J-Box



KKDC CONTROL



IP67
100W 24V
Aluminium housing
L248/W73/H48mm
(L9.76/W2.87/H1.89in)

KKPS-01 1-10V PSU*

visDIM dimmable power supply (See Control Gear)

* Not suitable for use with RGB/LEDmix



IP67
100W 24V
Aluminium housing
L248/W73/H48mm
(L9.76/W2.87/H1.89in)

KKPS-02 DMX PSU

visDIM dimmable power supply (See Control Gear)



IP67
100W 24V
Aluminium housing
L248/W73/H48mm
(L9.76/W2.87/H1.89in)

KKPS-03 DALI PSU

visDIM dimmable power supply (See Control Gear)



IP20
Black plastic housing
L164/W64/H34mm
(L6.46/W2.52/H1.34in)

KKDM-05 1-10V

visDIM dimmable sub-controllers (See Control Gear)



IP20
Black plastic housing
L164/W64/H34mm
(L6.46/W2.52/H1.34in)

KKSC-03A DMX (Screw terminal)

visDIM dimmable sub-controllers (See Control Gear)



IP20
Black plastic housing
L164/W64/H34mm
(L6.46/W2.52/H1.34in)

KKSC-03B DMX (RJ45)

visDIM dimmable sub-controllers (See Control Gear)



IP20
Black plastic housing
L164/W64/H34mm
(L6.46/W2.52/H1.34in)

KKDL-01 DALI

visDIM dimmable sub-controllers (See Control Gear)