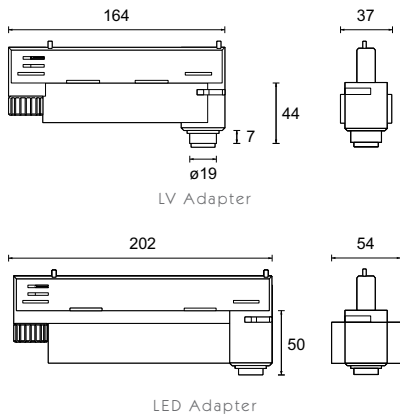


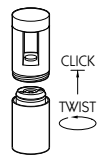


Category Interior use only IP20
Material Machined Aluminium & Polycarbonate
Finish Silver | Black | White
System Jack Plug Connector
Compatibility Eutrac | Other Track Systems
LV Rating 20VA - 50VA | 35VA - 105VA
LED Rating 24V, 20W non-dimmable*
Ballast Integral
Circuits 3 circuit as standard
Weight Silver | BK | WH - 180g
 * Please enquire as to the availability of dimming protocols.



The Eutrac Adapter incorporates the Jack Plug connector to retrofit Precision Lighting's luminaires to existing mains voltage track systems. All of Precision Lighting's Jack Plug luminaires are compatible with the Eutrac 3-circuit track adapter. The adapters contain a dimmable 20-50VA transformer for use with Low Voltage luminaires. The LED adapter contains a 24V 20W PSU which is non-dimmable as standard.

The Jack Plug system allows the luminaires to be easily removed for cleaning or relamping. The luminaires click into the Jack Plug socket, the threaded jacket then screws into position to lock the connection in place. Once fixed, the luminaires are free to rotate or alternatively, can be secured in place using two locking pins.



	LED Luminaires			LV Luminaires							
	Evo LED	Oculus	Discus	Pico	Evo	Evo S	Retro	Microspot	Radar	Rotor	Demilumen
•	•	•	•	•	•	•	•	•	•	•	•
•	•	•	•	•	•	•	•	•	•	•	•
•	•	•	•	•	•	•	•	•	•	•	•