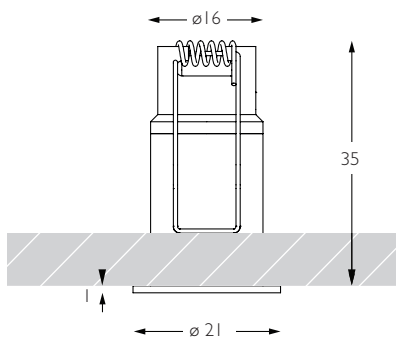
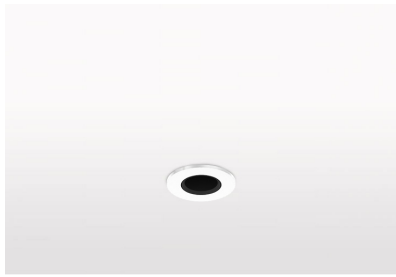


## NARROW SPOT



### Technical Description

Atto R is a miniature recessed, display orientated LED spotlight that comes as standard in white, black and brushed aluminium finishes. It has four site changeable optics for flexible distribution. The narrow spot beam in our 1W 102lm module has a peak intensity of 794cd. The Atto R has a fixed vertical light engine.

### Mechanical & Electrical

**Category** Interior use only IP20

**Weight** 14g

**Material** Aluminium I Brass

**Ceiling Void** 20mm above module

**Cutout** 16 - 17mm

**Forward Voltage** 3V

**Ceiling Thickness** 3 - 29mm

**Current** 350mA

### Finishes

**Finishes** Brushed Aluminium I Black I White I Brass I Custom\*

\* Please enquire as to the availability of non-standard Finishes

### Optical

**System Power** 1W

**Colour Temperature** 3000K\*

**Module Output** 102lm\*

**CRI** 95 TYP

**Absolute Output** 94lm

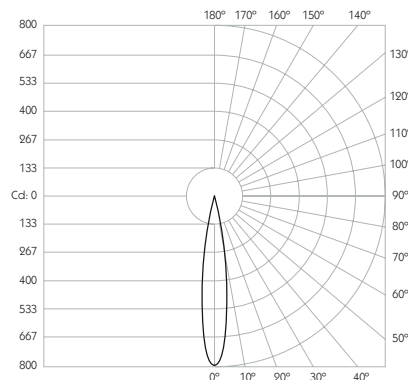
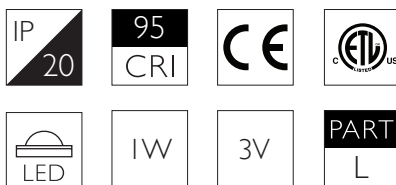
**TM-30** RF: 93 RG: 99

**LOR** 92

**Beam Angle** 16°

**Gear Type** Dimmable available

\*\* Photometry shown is correct for 3000K module. Please enquire for 2700K module output.



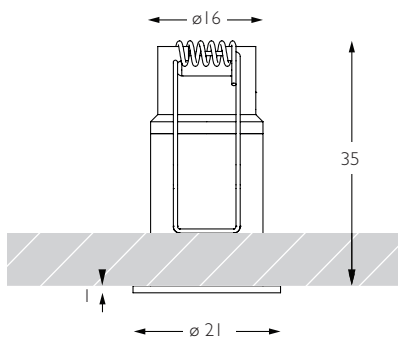
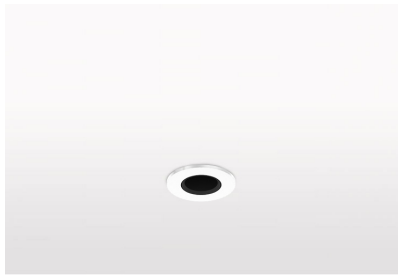
1.0W 16°		3000K LED	
0.25m	0.07m	12,701 lx	
0.50m	0.14m	3,175 lx	
1.00m	0.28m	794 lx	
2.00m	0.56m	198 lx	
3.00m	0.84m	198 lx	

Brushed Aluminium	White 9010	Matte Anodised Black	Rubbed Bronze *	Polished Brass *	Brushed Brass *
RC-765-AL-XX9516	RC-765-WH-XX9516	RC-765-BA-XX9516	RC-765-RB-XX9516	RC-765-PB-XX9516	RC-765-SB-XX9516

For 3000K Substitute XX with 30 - For 2700K Substitute XX with 27

\*All Brass and Bronze finishes are made to order and subject to MOQ

MEDIUM



### Technical Description

Atto R is a miniature recessed, display orientated LED spotlight that comes as standard in white, black and brushed aluminium finishes. It has four site changeable optics for flexible distribution. The medium beam in our 1W 102lm module has a peak intensity of 359cd. The Atto R has a fixed vertical light engine.

### Mechanical & Electrical

**Category** Interior use only IP20

**Weight** 14g

**Material** Aluminium I Brass

**Ceiling Void** 20mm above module

**Cutout** 16 - 17mm

**Forward Voltage** 3V

**Ceiling Thickness** 3 - 29mm

**Current** 350mA

### Finishes

**Finishes** Brushed Aluminium I Black I White I Brass I Custom\*

\* Please enquire as to the availability of non-standard Finishes

### Optical

**System Power** 1W

**Colour Temperature** 3000K\*

**Module Output** 102lm\*

**CRI** 95 TYP

**Absolute Output** 92lm

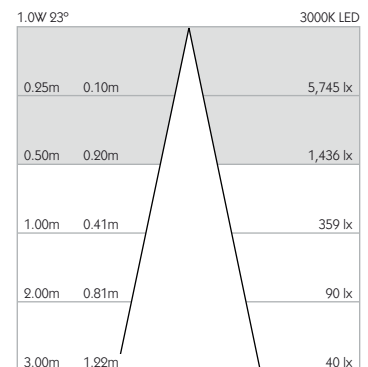
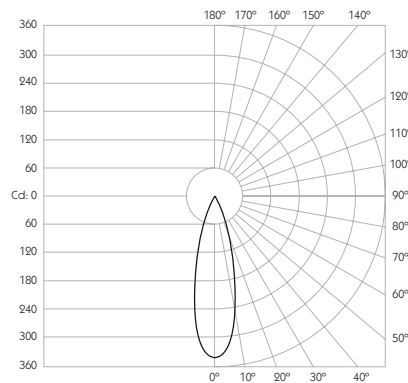
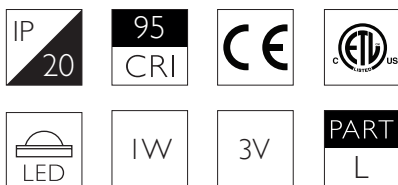
**TM-30** RF: 93 RG: 99

**LOR** 90

**Beam Angle** 23°

**Gear Type** Dimmable available

\*\* Photometry shown is correct for 3000K module. Please enquire for 2700K module output.

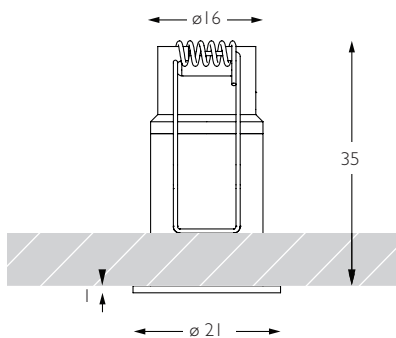
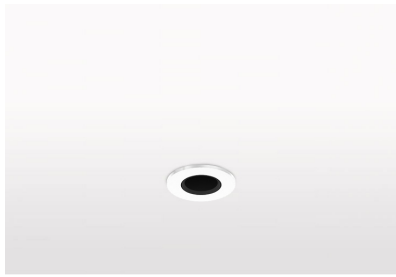


Finish	Part Number
Brushed Aluminium	RC-765-AL-XX9523
White 9010	RC-765-WH-XX9523
Matte Anodised Black	RC-765-BA-XX9523
Rubbed Bronze *	RC-765-RB-XX9523
Polished Brass *	RC-765-PB-XX9523
Brushed Brass *	RC-765-SB-XX9523

For 3000K Substitute XX with 30 - For 2700K Substitute XX with 27

\*All Brass and Bronze finishes are made to order and subject to MOQ

## FLOOD



### Technical Description

Atto R is a miniature recessed, display orientated LED spotlight that comes as standard in white, black and brushed aluminium finishes. It has four site changeable optics for flexible distribution. The flood beam in our 1W 102lm module has a peak intensity of 109cd. The Atto R has a fixed vertical light engine.

### Mechanical & Electrical

**Category** Interior use only IP20

**Weight** 14g

**Material** Aluminium I Brass

**Ceiling Void** 20mm above module

**Cutout** 16 - 17mm

**Forward Voltage** 3V

**Ceiling Thickness** 3 - 29mm

**Current** 350mA

### Finishes

**Finishes** Brushed Aluminium I Black I White I Brass I Custom\*

\* Please enquire as to the availability of non-standard Finishes

### Optical

**System Power** 1W

**Colour Temperature** 3000K\*

**Module Output** 102lm\*

**CRI** 95 TYP

**Absolute Output** 93lm

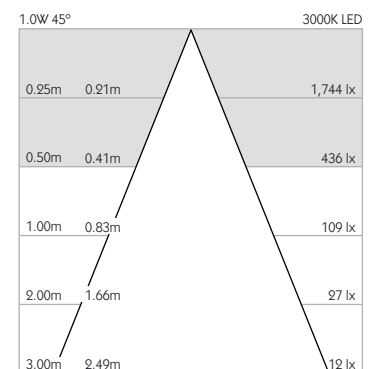
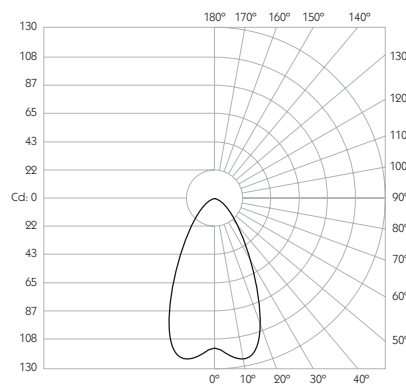
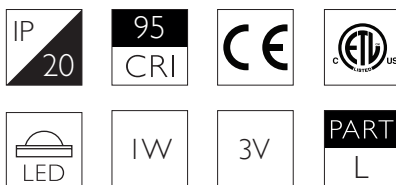
**TM-30** RF: 93 RG: 99

**LOR** 91

**Beam Angle** 45°

**Gear Type** Dimmable available

\*\* Photometry shown is correct for 3000K module. Please enquire for 2700K module output.

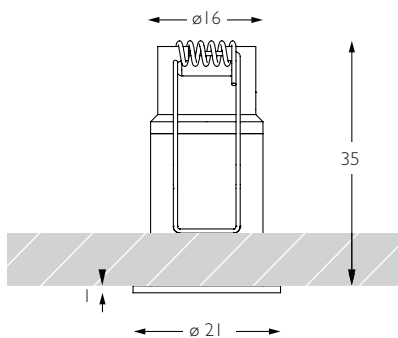


Finish	Part Number
Brushed Aluminium	RC-765-AL-XX9545
White 9010	RC-765-WH-XX9545
Matte Anodised Black	RC-765-BA-XX9545
Rubbed Bronze *	RC-765-RB-XX9545
Polished Brass *	RC-765-PB-XX9545
Brushed Brass *	RC-765-SB-XX9545

For 3000K Substitute XX with 30 - For 2700K Substitute XX with 27

\*All Brass and Bronze finishes are made to order and subject to MOQ

## WIDE FLOOD



### Technical Description

Atto R is a miniature recessed, display orientated LED spotlight that comes as standard in white, black and brushed aluminium finishes. It has four site changeable optics for flexible distribution. The wide flood beam in our 1W 102lm module has a peak intensity of 26cd. The Atto R has a fixed vertical light engine.

### Mechanical & Electrical

**Category** Interior use only IP20

**Material** Aluminium I Brass

**Cutout** 16 - 17mm

**Ceiling Thickness** 3 - 29mm

**Weight** 14g

**Ceiling Void** 20mm above module

**Forward Voltage** 3V

**Current** 350mA

### Finishes

**Finishes** Brushed Aluminium I Black I White I Brass I Custom\*

\* Please enquire as to the availability of non-standard Finishes

### Optical

**System Power** 1W

**Module Output** 102lm\*

**Absolute Output** 69lm

**LOR** 68

**Gear Type** Dimmable available

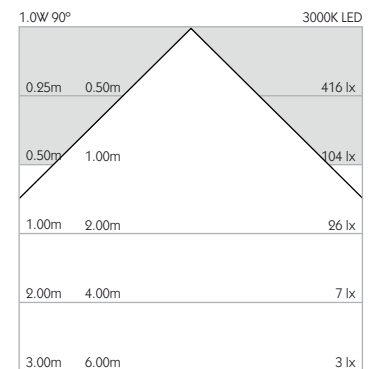
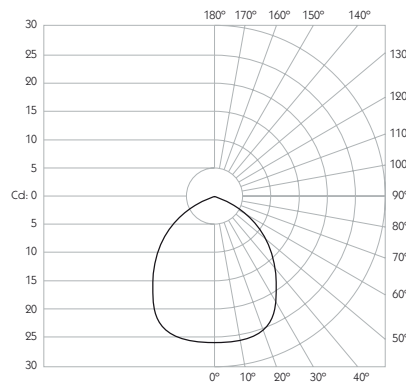
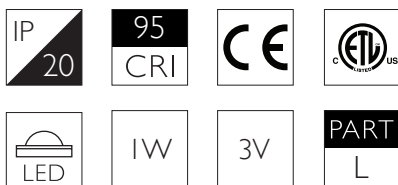
**Colour Temperature** 3000K\*

**CRI** 95 TYP

**TM-30** RF: 93 RG: 99

**Beam Angle** 90°

\*\* Photometry shown is correct for 3000K module. Please enquire for 2700K module output.



Finish	Part Number
Brushed Aluminium	RC-765-AL-XX9590
White 9010	RC-765-WH-XX9590
Matte Anodised Black	RC-765-BA-XX9590
Rubbed Bronze *	RC-765-RB-XX9590
Polished Brass *	RC-765-PB-XX9590
Brushed Brass *	RC-765-SB-XX9590

For 3000K Substitute XX with 30 - For 2700K Substitute XX with 27

\*All Brass and Bronze finishes are made to order and subject to MOQ