



## GENERAL SPECIFICATION

**Diffuser:** Injection moulded opal acrylic with an etched lower band.

**Suspension:** Twin stainless steel cables.

**Power cable:** Silver braided.

**Finish:** Metallic silver powder coated paint.

**Reflector (optional):** Aluminum, frosted finish with vertical facets.

**Decorative disc/ring:** 6mm/0.25" green tint, clear acrylic with a polished edge and an etched face.

**Drivers:** HPF electronic, 120/277V (EU-240V). 0-10V, 1% dimming standard.

### Emergency systems:

**Integral:** Emergency option provides a 1.5 hour (3 hours for EU) emergency lighting facility. The self contained system includes the inverter module, NiCad batteries, LED charge indicator and test switch (NA only). Integral emergency luminaires have a 50mm/2" extended ballast housing. Not available with a 347V supply.

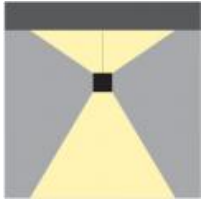
**Remote:** Emergency option provides a 1.5 hour (3 hours for EU) emergency lighting facility. The remote system includes the inverter module, NiCad batteries and a remote wall/ceiling LED charge indicator and test switch (NA only) Maximum distance between wall/ceiling plate and luminaire is 4.5m/15'. Test switch fits a single gang box (not supplied).

**Mechanical:** Mounts directly to a junction box (by others - North America only). Mounting hardware (by others).

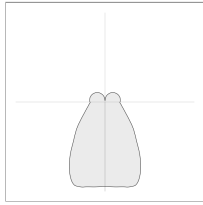
**L70 @25deg C (77deg F):** > 50,000 hrs.

**Delivered Lumens:** Delivered lumens & LPW based on 3000K (min 80 CRI) for White LEDs only.

## MOUNTING & OPTICS



Suspended  
Direct/Indirect



44 1001

## HOW TO ORDER

### A SPECIFY LUMINAIRE

Code:	Power (LED):	Delivered lms:	LPW:	Weight:
44 1001	30W	2070	77	8kg/17.6lb

### B SPECIFY CCT

30	3000K (min 80 CRI)
35	3500K (min 80 CRI)
40	4000K (min 80 CRI)

### C SPECIFY CRADLE ARMS

C1	Cradle Arms with Disc
C2	Cradle Arms with Ring

### D SPECIFY DIMMING

L2	Hi-Lume 1% EcoSystem (not available with 347V)
----	--

### E SPECIFY OPTIONS

RF	Internal Faceted Reflector
----	----------------------------

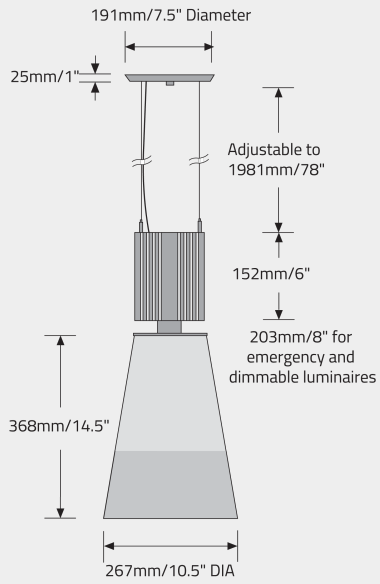
### F SPECIFY OPTIONS

RE	Remote Emergency
3	347V (not available with RE or L2)

### EXAMPLE CODE

441001/30

## DIMENSIONAL DIAGRAMS



## APPROVALS

