

## GENERAL SPECIFICATION

**Outer diffuser:** Injection moulded clear acrylic with an etched lower band.

**Internal diffuser:** Injection moulded opal acrylic.

**Suspension:** Single stainless steel cable.

**Power cable:** Silver braided.

**Canopy finish:** White powder coated paint.

**Reflector:** Aluminum, frosted finish with vertical facets.

**Drivers:** HPF electronic, 120/277V (EU-240V). 0-10V, 1% dimming standard.

### Emergency systems:

**Integral:** Emergency option provides a 1.5 hour (3 hours for EU) emergency lighting facility. The self contained system includes the inverter module, NiCad batteries, LED charge indicator and test switch (NA only). Integral emergency luminaires have a 50mm/2" extended ballast housing. Not available with a 347V supply.

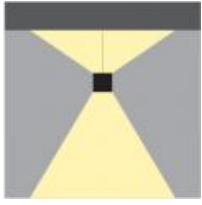
**Remote:** Emergency option provides a 1.5 hour (3 hours for EU) emergency lighting facility. The remote system includes the inverter module, NiCad batteries and a remote wall/ceiling LED charge indicator and test switch (NA only) Maximum distance between wall/ceiling plate and luminaire is 4.5m/15'. Test switch fits a single gang box (not supplied).

**Mechanical:** Mounts directly to a junction box (by others). Mounting hardware (by others - North America only).

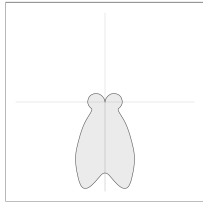
**L70 @25deg C (77deg F):** > 50,000 hrs.

**Delivered Lumens:** Delivered lumens & LPW based on 3000K (min 80 CRI) for White LEDs only.

## MOUNTING & OPTICS



Suspended  
Direct/Indirect



44 1201

## HOW TO ORDER

### A SPECIFY LUMINAIRE

Code:	Power (LED):	Delivered lms:	LPW:	Weight:
44 1201	30W	2290	76	8kg 17.6lb

### B SPECIFY CCT

30	3000K (min 80 CRI)
35	3500K (min 80 CRI)
40	4000K (min 80 CRI)

### C SPECIFY DIMMING

L2	Hi-Lume 1% EcoSystem (not available with 347V)
----	--

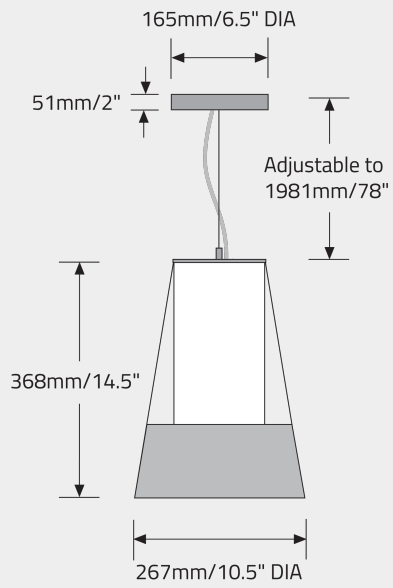
### D SPECIFY OPTIONS

RE	Remote Emergency
3	347V (not available with RE or L2)

### EXAMPLE CODE

441201/35

## DIMENSIONAL DIAGRAMS



## APPROVALS

