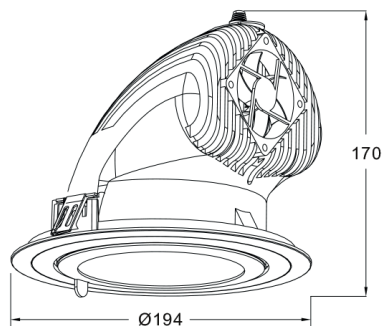


BFD FLEX



REF	A6111W BFD Flex white A6111B BFD Flex black
LED	Xicato
LED LM OUTPUT	1.300 / 2.000 lm
POWER CONS.	according to lm output - see table p. 195
COLOR TEMP.	2.700 / 3.000 / 4.000 K
CRI	80 or +95
COLOR QUAL.	artist / beauty / vibrant / vibrant artist
REFLECTOR	39° (15,5° - 25,5° on request)
FINISH	white RAL 9016 tex black RAL 9005 tex
ADJUSTABLE	355° x 45°
CUT-OUT	Ø 180 mm
DRIVE CURRENT	supplied with driver
REMARK	passive cooling
OPTIONS	C6018W enlargment ring BFD Flex white (Ø 240 mm) C6018B enlargment ring BFD Flex black (Ø 240 mm) C6014 pink meat filter BFD Flex



MODEL	REFERENCE	LM OUTPUT	CRI / CCT	BEAM	DIMMING
BFD FLEX WHITE BFD FLEX BLACK	A6111W A6111B	1.300 lm	827 - 830 - 840 - V830	39°	ND PD A D
			927 - 930 - 940 - V930 - BT - F+		
		2.000 lm	827 - 830 - 840 - V830		
			927 - 930 - 940 - V930 - BT - F+		
		3.000 lm	827 - 830 - 840 - V830		
		3.850 lm	927 - 930 - 940 - V930		
			827 - 830 - 840 - V830		

ND: non dimmable / PD: phase dimming / A: 1-10V / D: Dali