

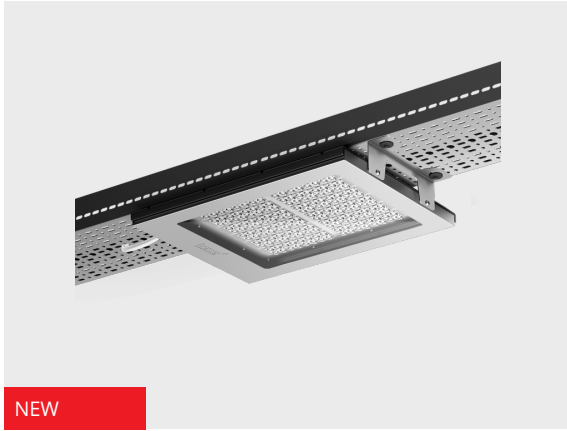
# NOX

## Vigorous, Flexible and Nonperishable Tunnel Lighting Family

CE UK CA IK10 IP66



# heper<sup>+</sup>



Unique design and optical flexibility combined with energy efficient LED modules and appropriate optics to provide the maximum lighting level and uniformity. Main body is made of stainless steel with high resistance to corrosion and chemicals.

- Equipped with highly efficient LED modules
- Advanced optical technology allowing case-specific lighting design for turnkey tunnel projects
- Durable material and component selection for harsh working conditions within tunnels and underpasses
- Outstanding corrosion control with stainless steel body
- Remarkable thermal management with aluminium alloy heatsink body
- Adaptable performance for global and country specific tunnel and underpass lighting regulations and requirements
- Easy installation and maintenance with direct cable-tray or ceiling mount bracket design

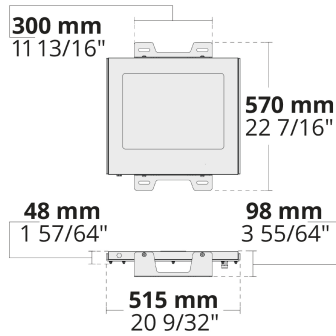
Product code	Product name	Light distribution	Delivered lumens flux	Rated input power	Colour temperature	Control	Weight
LT1010.761-EN	NOX 32 LED		4309 - 9843 lm	35 - 68 W	3000 K CRI 70, 4000 K CRI 70		10.50 kg
LT1010.762-EN	NOX 48 LED		6463 - 14765 lm	52 - 102 W	3000 K CRI 70, 4000 K CRI 70		10.50 kg
LT1010.763-EN	NOX 64 LED		8618 - 19687 lm	69 - 136 W	3000 K CRI 70, 4000 K CRI 70		10.50 kg
LT1010.764-EN	NOX 80 LED		10772 - 24610 lm	87 - 170 W	3000 K CRI 70, 4000 K CRI 70		10.50 kg
LT1010.765-EN	NOX 96 LED		12927 - 29531 lm	103 - 204 W	3000 K CRI 70, 4000 K CRI 70		10.50 kg
LT1010.766-EN	NOX 112 LED		14273 - 34453 lm	121 - 238 W	3000 K CRI 70, 4000 K CRI 70		13.40 kg
LT1010.767-EN	NOX 128 LED		17235 - 39375 lm	138 - 272 W	3000 K CRI 70, 4000 K CRI 70		13.40 kg
LT1010.768-EN	NOX 144 LED		19390 - 44297 lm	155 - 306 W	3000 K CRI 70, 4000 K CRI 70		13.40 kg
LT1010.769-EN	NOX 160 LED		21544 - 49219 lm	173 - 340 W	3000 K CRI 70, 4000 K CRI 70		13.40 kg
LT1010.770-EN	NOX 192 LED		25853 - 59063 lm	207 - 409 W	3000 K CRI 70, 4000 K CRI 70		13.40 kg

HPR Pazarlama A.Ş.  
Başkent OSB 22. Cd. No: 2, Malıköy, Temelli,  
Sincan, 06909 Ankara, Turkey  
+90 312 267 54 30  
info@hepergroup.com

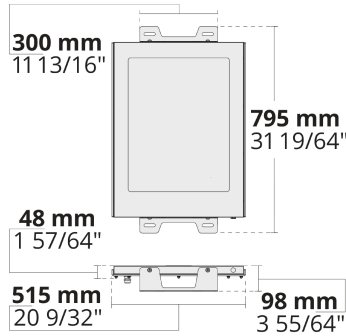
HEPER Europe GmbH  
Ahornweg 5a, 58675  
Hemer, Germany  
+49 237 2901 2975  
infoEU@hepergroup.com

We reserve the right to change specifications without prior written notice. Edition: 09.12.2024. For current version visit [heperlighting.com](http://heperlighting.com). All flux (±%7 tolerance) and power values (±%10 tolerance) are derived following appropriate IES, CIE, and applicable standards.

LT1010.761 / LT1010.762 / LT1010.763  
LT1010.764 / LT1010.765



LT1010.766 / LT1010.767 / LT1010.768  
LT1010.769 / LT1010.770



## Extras

Light output



**CLO**

**CLO**

Constant light output

Consult the factory

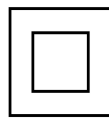


**120-277V  
50/60Hz**

**UNI**

120-277V 50/60Hz

Consult the factory

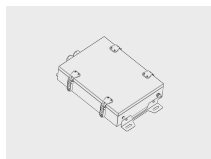


**C2**

Class II

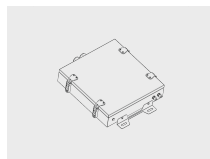
## Accessories (To be ordered separately)

Mounting accessories



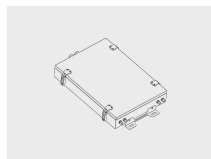
**Control gear box S  
for NOX family**  
007502100

Mounting accessories



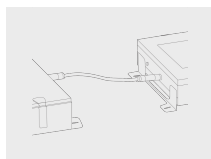
**Control gear box M  
for NOX family**  
007502102

Mounting accessories



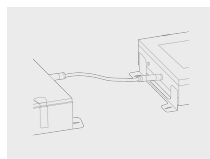
**Control gear box L  
for NOX family**  
007502104

Mounting accessories



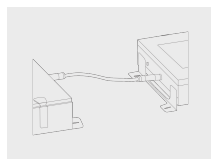
**Preassembled  
cables and 3-pole  
connector set for  
NOX**  
007502167

Mounting accessories



**Preassembled  
cables and 5-pole  
connector set for  
NOX**  
007502168

Mounting accessories



**Preassembled  
cables and 7-pole  
connector set for  
NOX**  
007502169



**[SS]**

Stainless  
steel