



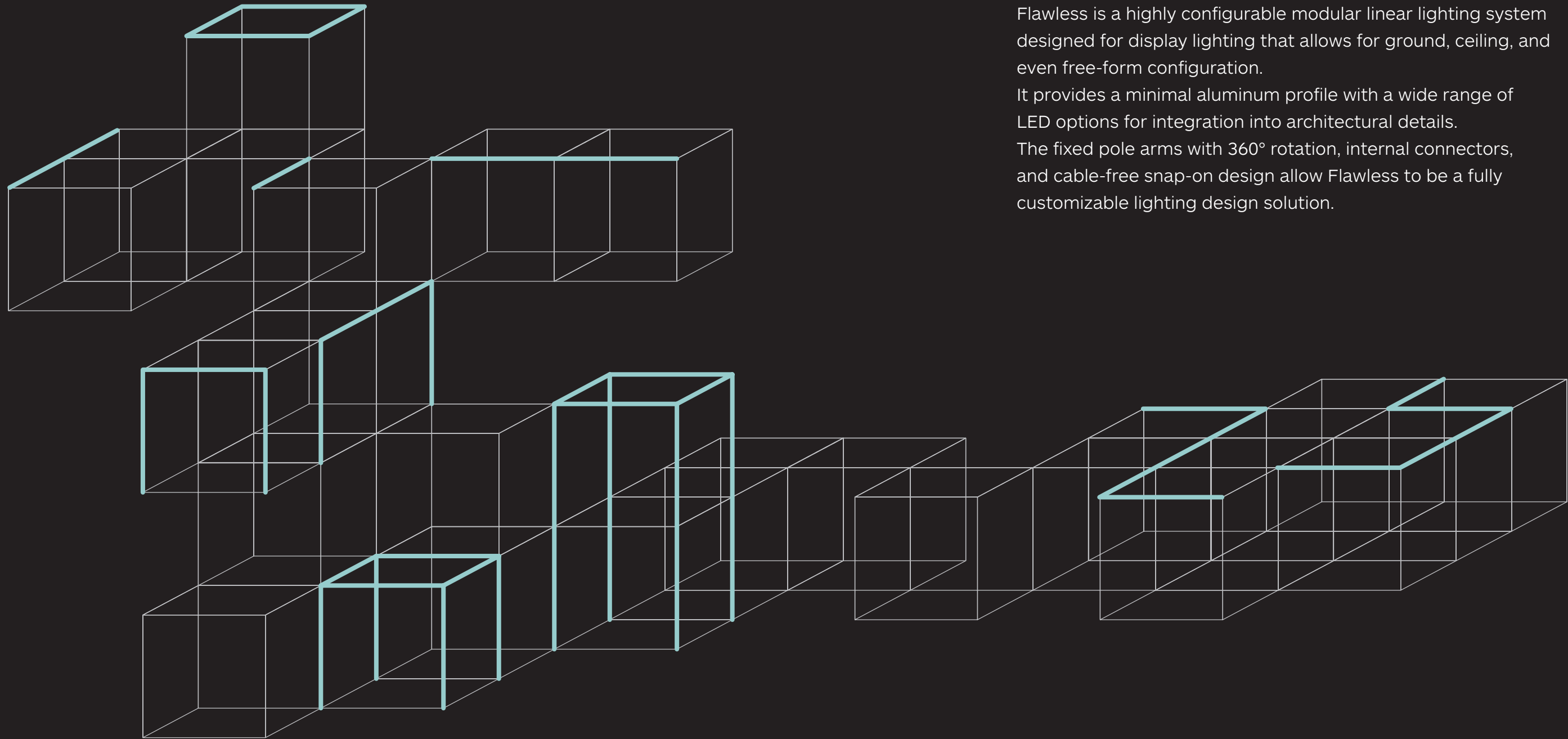
formalighting

# Flawless

Modular Linear Lighting System

2024

# Flawless System



Flawless is a highly configurable modular linear lighting system designed for display lighting that allows for ground, ceiling, and even free-form configuration.

It provides a minimal aluminum profile with a wide range of LED options for integration into architectural details.

The fixed pole arms with 360° rotation, internal connectors, and cable-free snap-on design allow Flawless to be a fully customizable lighting design solution.

# Index of system components

## Basic configuration kits

### Kit 1 - GF21

One L shape connector with cable & one L shape connector.



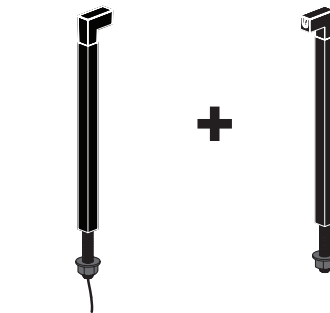
### Kit 2 - GF22

One corner connector with cable & three corner connectors.



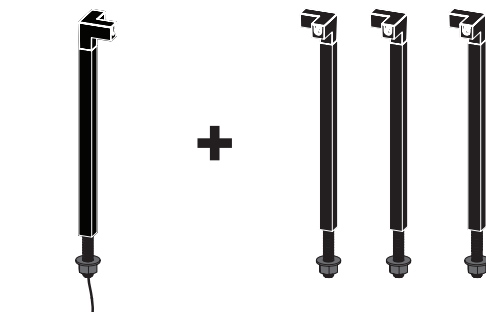
### Kit 3 - GF23

One L shape connector with pole and cable & one L shape connector with pole.



### Kit 4 - GF24

One corner connector with pole and cable & three corner connectors with pole.



## Independent parts to create free forms

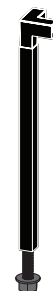
### GF25

Corner connector no cable.



### GF26

Corner connector with pole no cable.



# Index of system components

## LED Module options

### GFL1 - Flawless Spotless

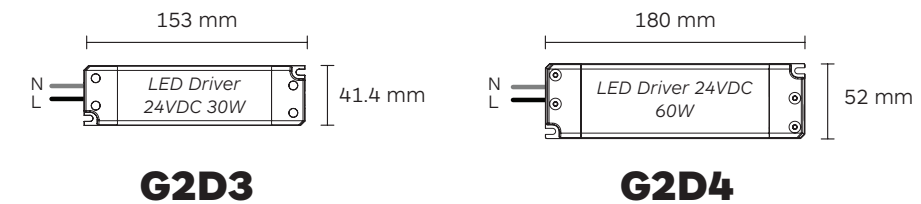


### GFL2 - Flawless Spot

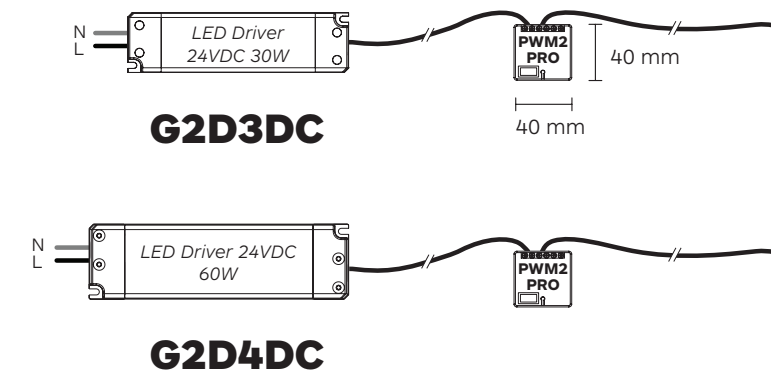


## Power Supply options

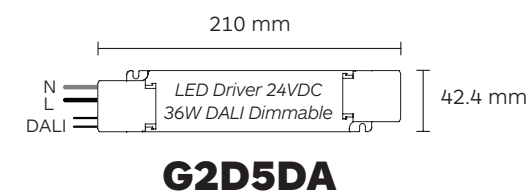
### Option 1 - 24V Constant Voltage LED Driver



### Option 2 - CASAMBI Control



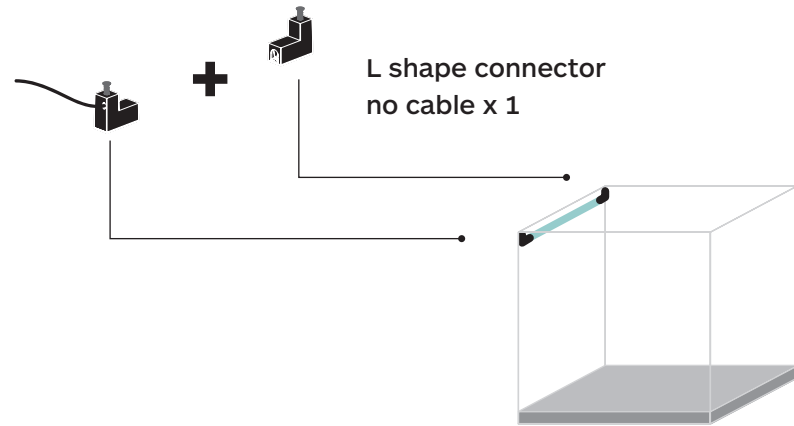
### Option 3 - DALI Dimming



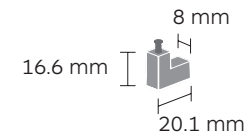
# Choose your **basic configuration kit**

## Kit 1 - GF21

L shape connector with cable x 1

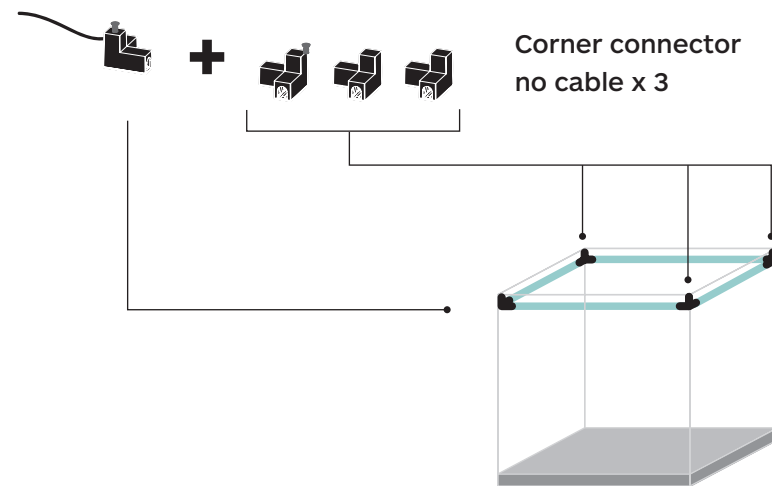


Dimension of L shape connector

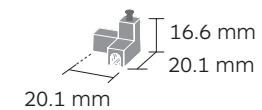


## Kit 2 - GF22

Corner connector with cable x 1



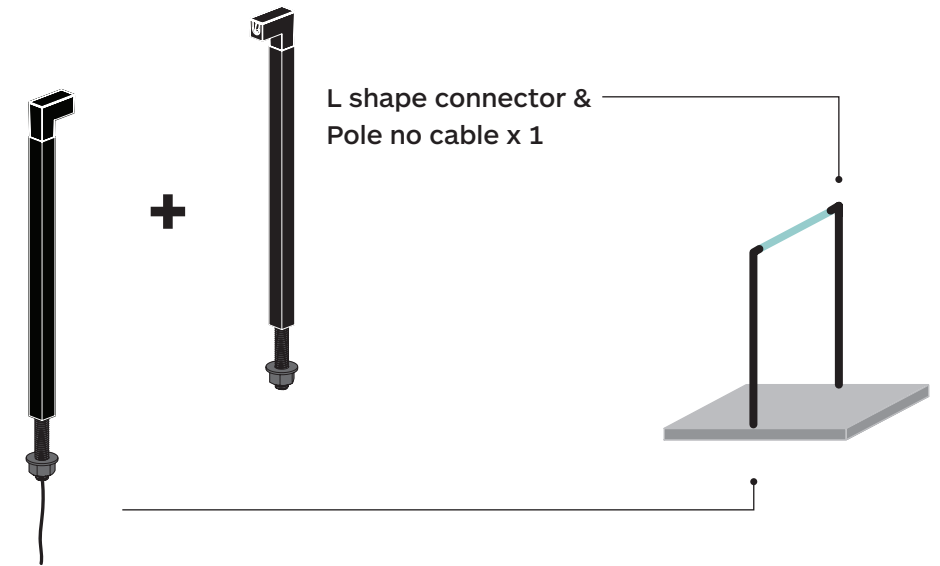
Dimension of Corner connector



# Choose your **basic configuration kit**

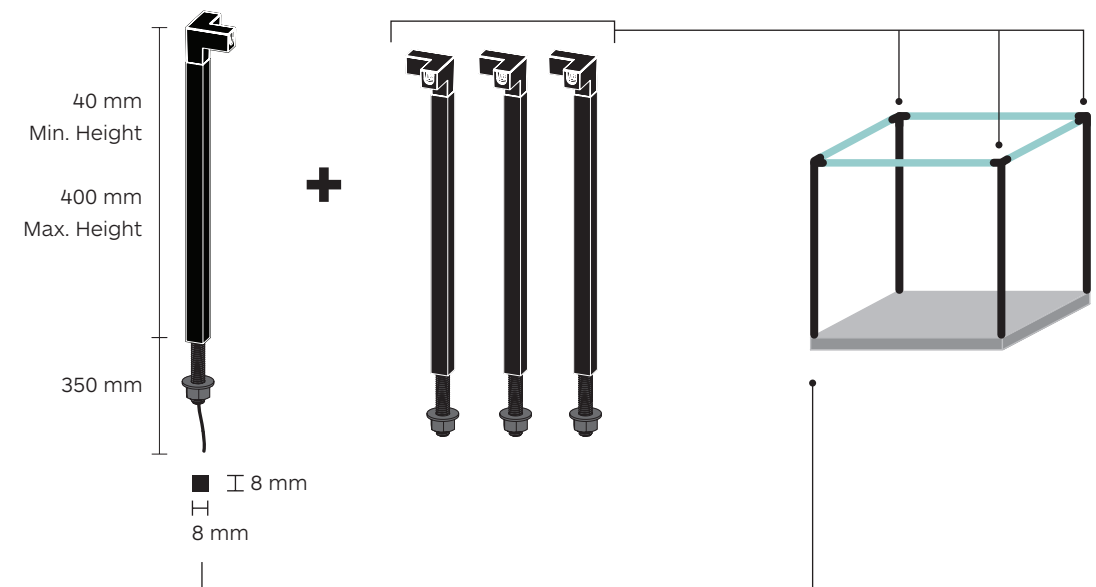
## Kit 3 - GF23H400

L shape connector & Pole with cable x 1



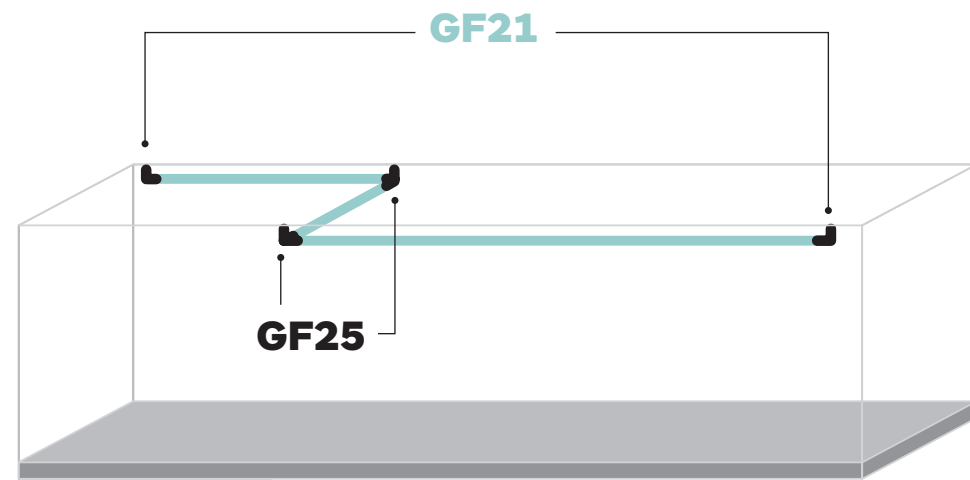
## Kit 4 - GF24H400

Corner connector & Pole with cable x 1



# Free form configuration example

## Example 1



### Kit 1 - GF21

One L shape connector with cable & one L shape connector.



### GF25 x 2

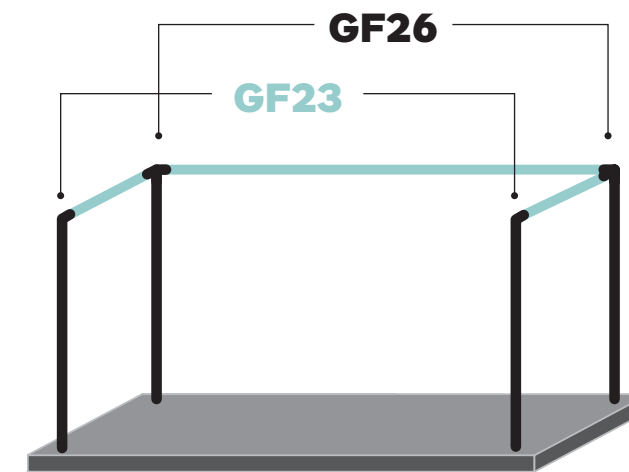
Two Corner connectors no cable.



Three LED modules of your choice.

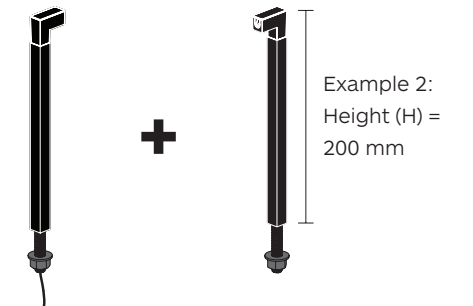
# Free form configuration example

## Example 2



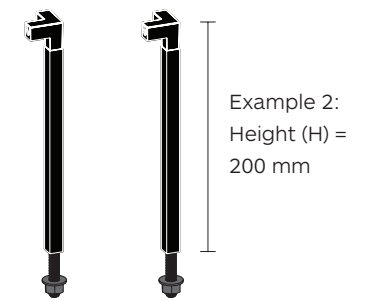
### Kit 3 - GF23H200

One L shape connector with pole and cable & one L shape connector with pole.



### GF26H200 x 2

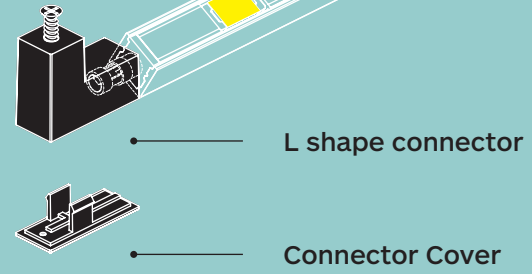
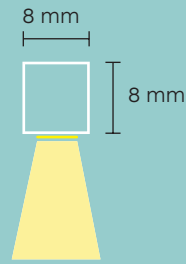
Two Corner connectors with Pole no cable.



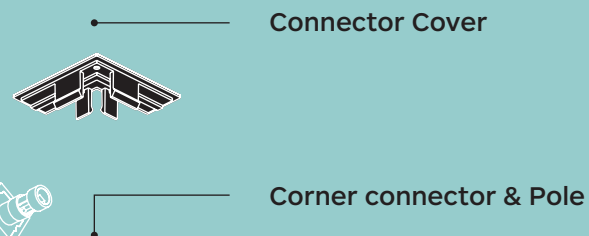
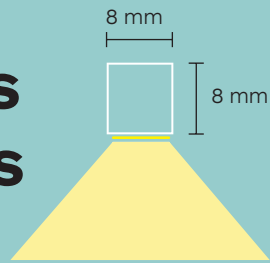
Three LED modules of your choice.

# Choose your **light effect**

## Flawless Spot GFL2



## Flawless Spotless GFL1



360°

# Choose your **Flawless type**

## Flawless Spotless - GFL1



### Flawless Spotless with connectors

Top view



Side view



L shape



Corner

## Flawless Spot - GFL2



### Flawless Spot with connectors

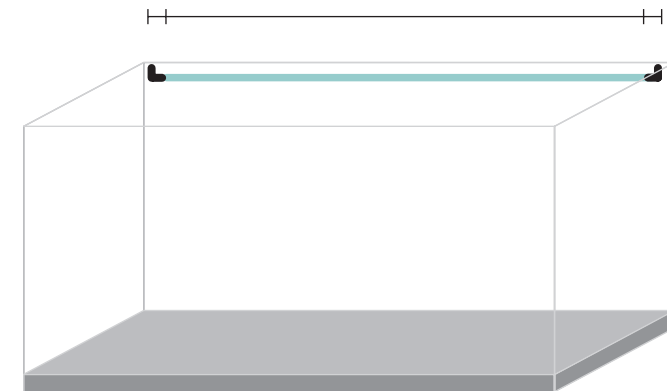
Top view



Side view



**Total Length = 20.5 mm + 372 mm + 20.5 mm**

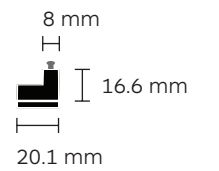


+



Min. length: 192 mm - Max. length: 732 mm.  
The length increment of each module is 45 mm.

+



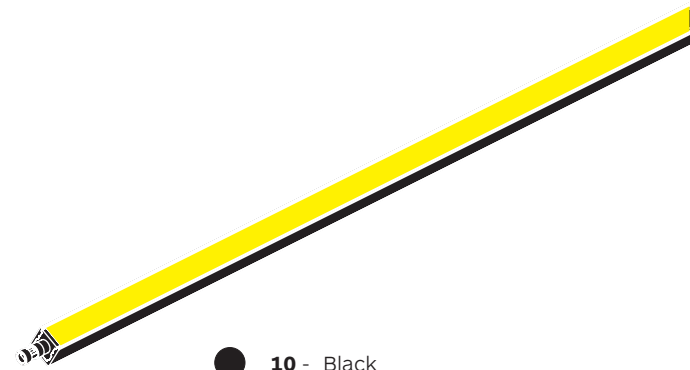
# Flawless Spotless

## LED Module Length

**CCT options:** 2700K, 3000K, 3500K, 4000K

**CRI:** >95

**Optics:** Opal Rigid DIFFUSER (RD)

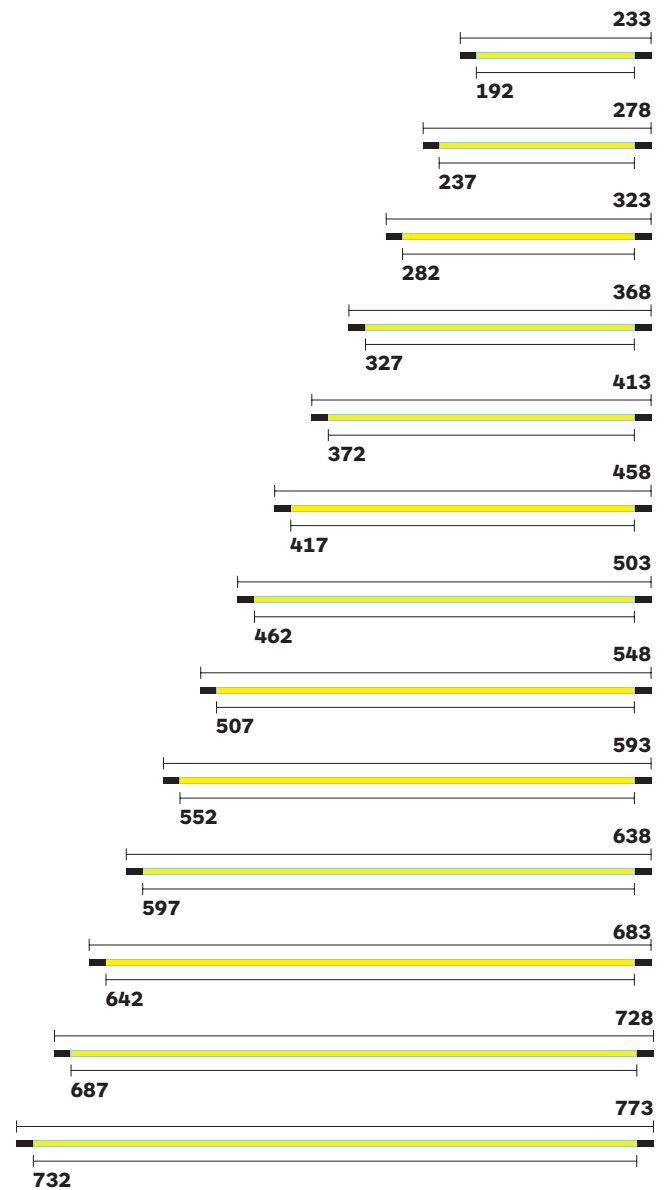


- 10 - Black
- 11 - White
- 28 - Brass Polished
- 35 - Gold
- 70 - Aluminium

Information in the chart below is related to 3000K LED

Length Code	Length in mm	Length in inches	LED Power	Nominal Lumen
0192	192	7.56	2.88 W	284 lm
0237	237	9.33	3.60 W	355 lm
0282	282	11.10	4.32 W	426 lm
0327	327	12.87	5.04 W	497 lm
0372	372	14.65	5.76 W	568 lm
0417	417	16.42	6.48 W	639 lm
0462	462	18.19	7.20 W	710 lm
0507	507	19.96	7.92 W	781 lm
0552	552	21.73	8.64 W	852 lm
0597	597	23.50	9.36 W	923 lm
0642	642	25.28	10.08 W	994 lm
0687	687	27.05	10.80 W	1065 lm
0732	732	28.82	11.52 W	1136 lm

## Flawless Spotless - GFL1



# Flawless Spot

## LED Module Length

**CCT options:** 2700K, 3000K, 3500K, 4000K

**CRI:** >90

**Optics:** LENS

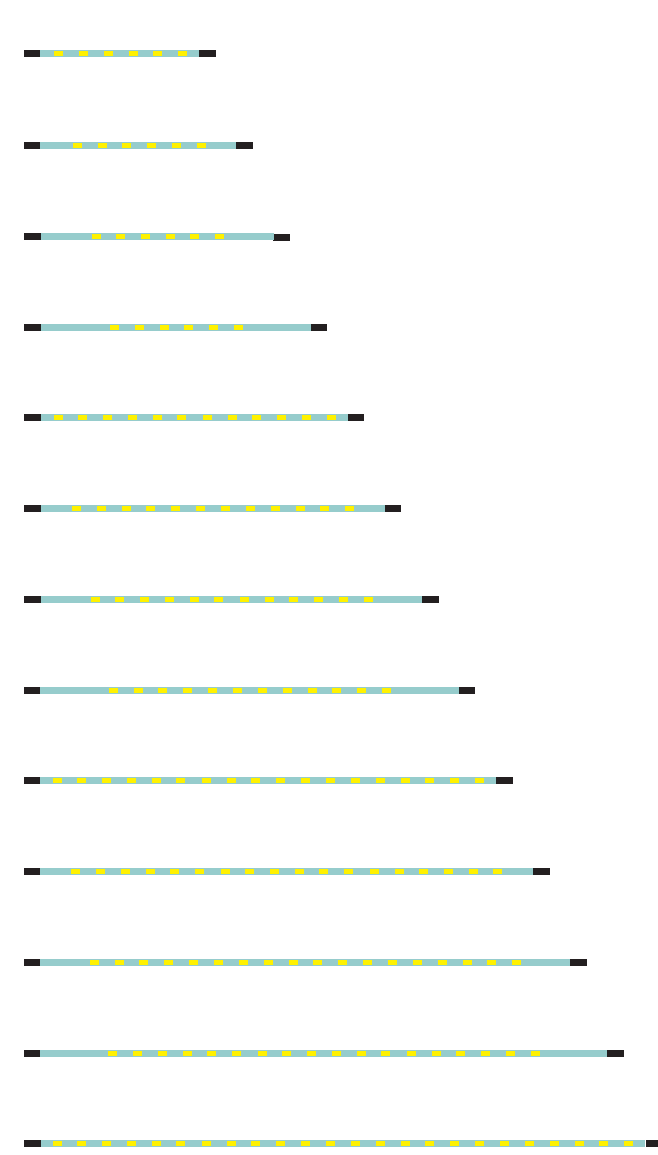
**Beam Angle:** EL= Elliptical Beam ( 25° x 45° ), 25° / 36°



- 10 - Black
- 11 - White
- 28 - Brass Polished
- 35 - Gold
- 70 - Aluminium

Information in the chart below is related to 3000K LED

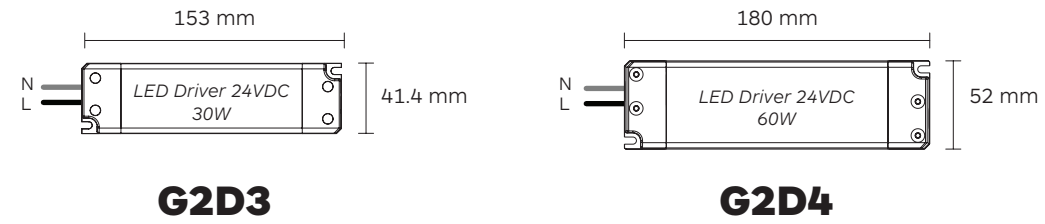
## Flawless Spot - GFL2



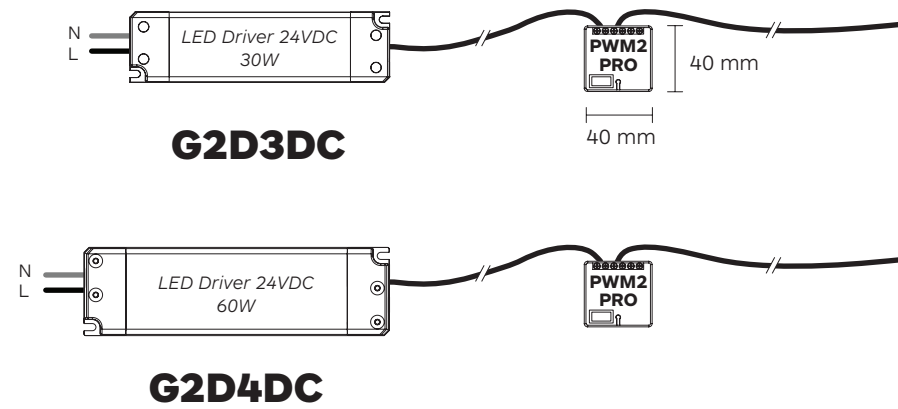
No. of LEDs	Length Code	Length in mm	Length in inches	LED Power	Nominal Lumen
6	0192	192	7.56	2.9 W	258 lm
6	0237	237	9.33	2.9 W	258 lm
6	0282	282	11.10	2.9 W	258 lm
6	0327	327	12.87	2.9 W	258 lm
12	0372	372	14.65	5.8 W	516 lm
12	0417	417	16.42	5.8 W	516 lm
12	0462	462	18.19	5.8 W	516 lm
12	0507	507	19.96	5.8 W	516 lm
18	0552	552	21.73	8.6 W	774 lm
18	0597	597	23.50	8.6 W	774 lm
18	0642	642	25.28	8.6 W	774 lm
18	0687	687	27.05	8.6 W	774 lm
24	0732	732	28.82	11.5 W	1032 lm

# Power Supply & Controls Options

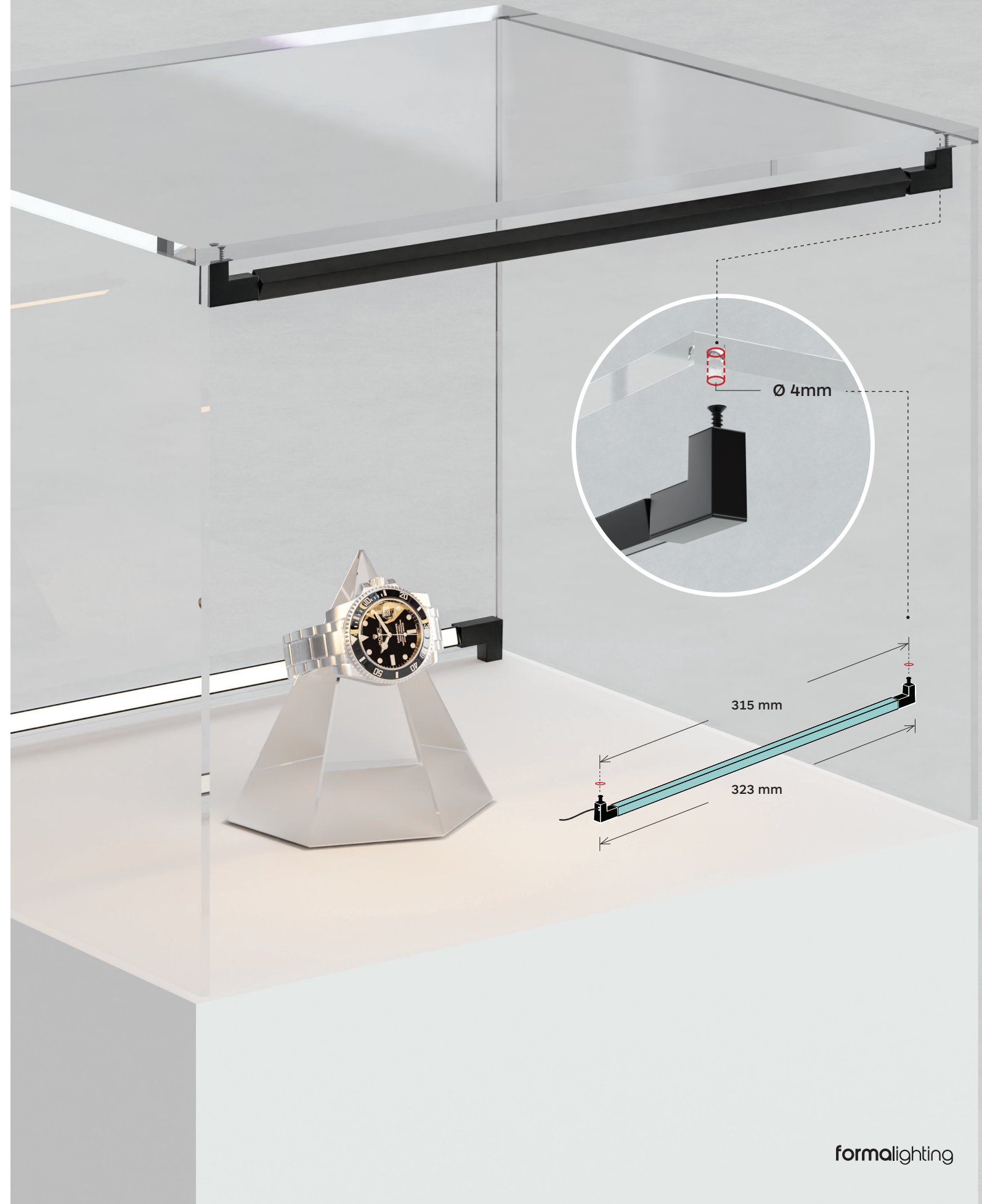
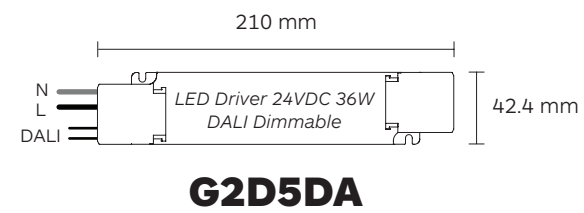
## Option 1. 24V Constant Voltage LED Driver



## Option 2. CASAMBI Control

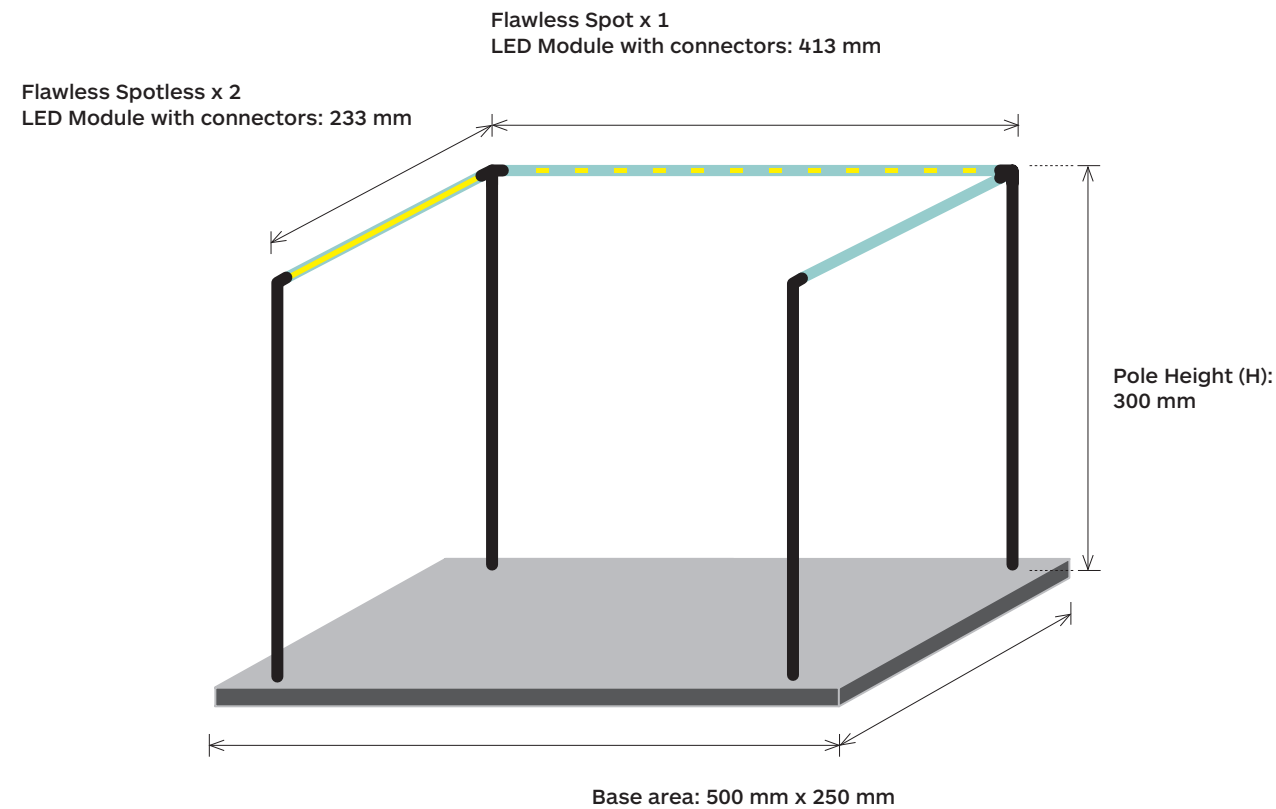


## Option 3. DALI Dimming





## Configuration example A



- 10 - Black
- 11 - White
- 28 - Brass Polished
- 35 - Gold
- 70 - Aluminium

## How to order example A

### Step 1. Kit option:

**Kit 3 - GF23H300 with pole height 300mm**

+

### Step 2. Independent parts:

**2 x GF26H300 - Corner connectors with poles height 300mm**

+

### Step 3. LED Modules:

**Flawless Spot x 1 with length 372mm, CRI 90, 3000K & Elliptical Beam**

**1 x GFL2 0372 - 90 - 30 - EL**

*Flawless + Length + CRI + CCT + Optics  
Spot code*

+

**Flawless Spotless x 2 with length 192mm, CRI 95, 3000K & Opal Rigid Diffuser**

**2 x GFL1 0192 - 95 - 30 - RD**

*Flawless + Length + CRI + CCT + Optics  
code*

+

### Step 4. Power supply option:

**CASAMBI Control - G2D3DC**

+

### Step 5. Finish:

**10 - Black**





# Global presence

Celebrating over 50 years of vision, dedication and innovation, formalighting's versatile and high-quality product offerings extends internationally via our headquarters in Hong Kong, London, Milan and Shanghai.

Our well chosen and selected partners as well as our affiliated international offices broaden our global presence further in markets such as USA, Australia, Japan, South East Asia, India and the Middle East.

Through our commitment to growth and investment within formalighting's professional team, infrastructure and product ranges, we are able to provide increasing service to our global retail and hospitality clients as well as lighting designers and specifiers strengthening our position as a leading international supplier of innovative architectural lighting solutions and systems.

With over 50 years' experience in designing and manufacturing architectural lighting, formalighting's comprehensive portfolio offers a competitive range of European designed and expertly engineered products that carry CB, CE, CCC and UL certifications.

Furthermore formalighting's latest award-winning motorized range of track, pendant, and recessed fixtures, featuring remote-controlled adjustable pan and tilt, dim, dim to warm, tuneable white and beam shaping lens, are available worldwide incorporating the latest, most advanced lighting technologies.

## MILAN

### EUROPE HEADQUARTERS

Tel ( +39 ) 02 9354 0300

Fax ( +39 ) 02 9343 5117

E- mail info-europe@formalighting.com

## HONG KONG

### ASIA HEADQUARTERS

Tel ( +852 ) 2516 6500

Fax ( +852 ) 2516 6525

E- mail info-asia@formalighting.com

## NEW YORK

### LOCAL SALES OFFICE

E- mail info-us@formalighting.com

## SHANGHAI

### LOCAL SALES OFFICE

E- mail info-china@formalighting.com

## LONDON

### LOCAL SALES OFFICE

E- mail info-uk@formalighting.com

## AUSTRALIA

### LOCAL SALES OFFICE

Tel ( +61 ) 488 567 388

E- mail info-australia@formalighting.com

## INDIA

### LOCAL SALES OFFICE

Tel ( +91 ) 9686351257

E- mail info-india@formalighting.com

formalighting is constantly developing and improving its products therefore all information, drawings illustrations, specifications, photometric values in this catalogue are indicatives and shall not form part of any commitment by our company that reserves the right to change specifications without prior notification or public announcement. Technical information on the installation-instruction has precedence over the information in the catalogue.

Our general terms and conditions shall apply notwithstanding any stipulation on the contrary to all the orders and agreement with formalighting. You can obtain a copy of these conditions on demand.

Publication date: July 2024  
©Copyright formalighting

With thanks to all contributors for the realization of this catalogue

Designed by formalighting's Graphic Design Department

No part of this catalogue may be copied without written authorization of formalighting

[www.formalighting.com](http://www.formalighting.com)

**formalighting**

Flawless System 2024

# formalighting

HONG KONG

-

LONDON

-

MILAN

-

SHANGHAI

-

NEW YORK

-

INDIA