

# SAXOT

Profile recessed with optics  
Profil encastré avec optiques

A3925

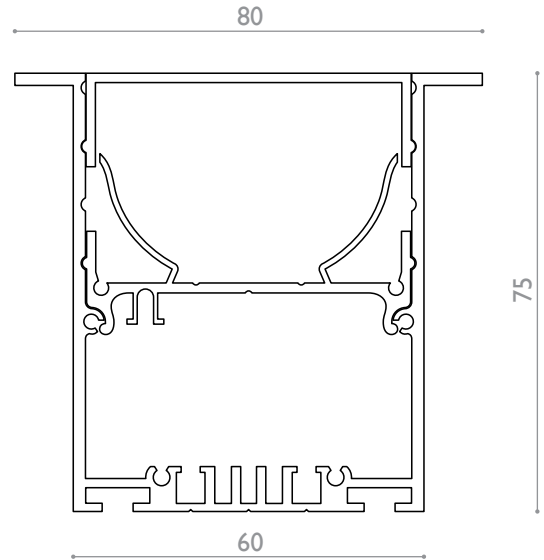


Puissance maxi Power max  
60 w/m

Dimensions Dimensions  
80 x 75 mm (65 mm)

Longueur maximale Max.length  
3000 mm

Température d'utilisation Ambient temp.  
- 10°C / + 40°C



A3925.C9.IP20.00.OP.DALI

## Type of led

|                |       |       |
|----------------|-------|-------|
| CRI99          | A4199 | C99   |
| UltraCRI       | A4101 | CR    |
| Dynamic White  | A4102 | DW    |
| Standard       | A4108 | ST    |
| CRI92          | A4109 | C9    |
| RGB            | A4106 | RGB   |
| RGBW           | A4107 | RGBW  |
| RGB2W          | A4117 | RGB2W |
| High Efficacy  | A4111 | HE    |
| Ultra Efficacy | A4116 | UE    |

## IP Rating

|       |      |
|-------|------|
| IP20  | IP20 |
| IP54  | IP54 |
| IP65H | IP65 |

## Finishes

|                           |    |
|---------------------------|----|
| Aluminium anodised silver | 00 |
| Aluminium anodised black  | 04 |
| White ral9016 sat         | 16 |

## Cover & Optic

|       |    |
|-------|----|
| Opal  | OP |
| Frost | FR |

## Dimming

|                       |      |
|-----------------------|------|
| No dimming            | HF   |
| Dali                  | DALI |
| Dmx                   | DMX  |
| Dimming & to 10Vdc    | D10  |
| Phase Dimming Digital | PHD  |



A3925.RFL  
Refl ector



A3925.OPL  
Refl ector opal



A3925.F00  
Refl ector frost



A3925.TRP  
Refl ector transparent