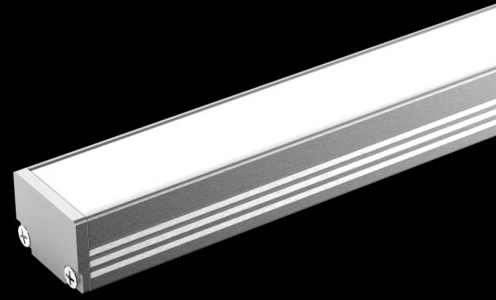


CAMPUS

Profile with optic
Profil aluminium avec optique

A3960

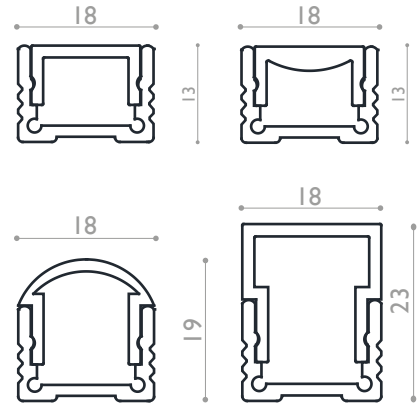


Puissance maxi **Power max**
24 w/m

Dimensions **Dimensions**
18 x13 mm | 18 x23 mm with High Optic

Longueur maximale **Max.length**
3000 mm

Température d'utilisation **Ambiant temp.**
- 10°C / + 40°C



A3960.C9.F30.00.IP20.DALI

Type of led

| | | |
|---------------------|-------|-------|
| Pure CRI99 | A4199 | C99 |
| UltraCRI | A4101 | CR |
| Dynamic White | A4102 | DW |
| Regular | A4109 | C9 |
| RGB | A4106 | RGB |
| RGB+W | A4107 | RGBW |
| RGB+2W | A4117 | RGB2W |
| Ultra Efficiency 90 | A4190 | UE90 |
| Ultra Efficiency 96 | A4196 | UE96 |

Optics

| | |
|-----------------|-----|
| Opal | OP |
| Frost | FR |
| Frost 15° | F15 |
| Frost 30° | F30 |
| Frost 60° | F60 |
| High Opal | HO |
| Aluminium cover | AL |

Finishes

| | |
|---------------------------|-----|
| Aluminium anodised silver | 00 |
| Aluminium anodised black | 04 |
| Painting RAL | RAL |

IP Rating

| | |
|------|------|
| IP20 | IP20 |
| IP54 | IP54 |
| IP65 | IP65 |

Dimming

| | |
|-----------------------|------|
| No dimming | HF |
| Dali | DALI |
| Dmx | DMX |
| Dimming 0-10V | D10 |
| Phase Digital Dimming | PHD |



A3960.04



A3960.CLS
Clips Inox Strong



A3960.CLI
Clips Inox



A3960.CLI
Clips liaison



A3960.C45
Clips 45°



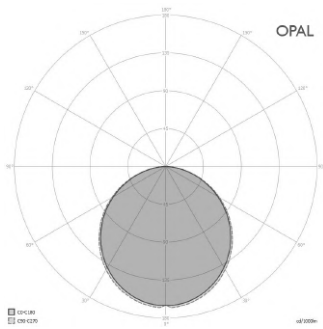
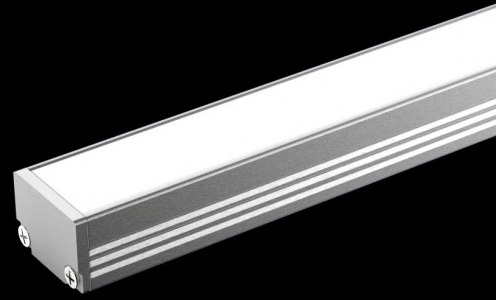
A3960.CLR
Clips Rotatif

CAMPUS OPTICS

Profile with optic
Profil aluminium avec optique

A3960

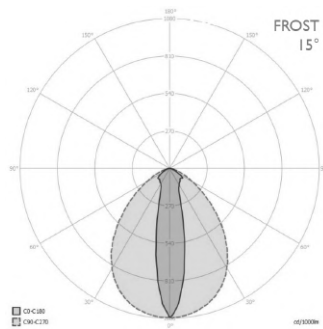
Get Dialux files on : www.atea.fr/3960.zip



Opal Optic



Opal Semi Circular Optic



Frost x° Optic



High Opal Optic

