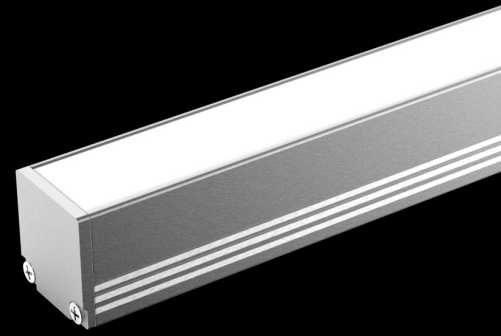


CAMPUS HIGH

Profile with optic
Profil aluminium avec optique

A3961



Puissance maxi Power max
30 w/m

Dimensions Dimensions
18 x 20 mm

Longueur maximale Max Length.
3000 mm

Température d'utilisation Ambient Temp.
-10°C / + 40°C



A3961.C9.F30.00.IP20.DALI

Type of led

Pure CRI99	A4199
UltraCRI	A4101
Dynamic White	A4102
Regular	A4109
RGB	A4106
RGB+W	A4107
RGB+2W	A4117
Ultra Efficiency 90	A4190
Ultra Efficiency 96	A4196

C99
CR
DW
C9
RGB
RGBW
RGB2W
UE90
UE96

Optics

Opal
Frost
Frost 15°
Frost 30°
Frost 60°
High Opal
Aluminium cover

OP
FR
F15
F30
F60
HO
AL

Finishes

Aluminium anodised silver
Aluminium anodised black
Painting RAL

00
04
RAL

IP Rating

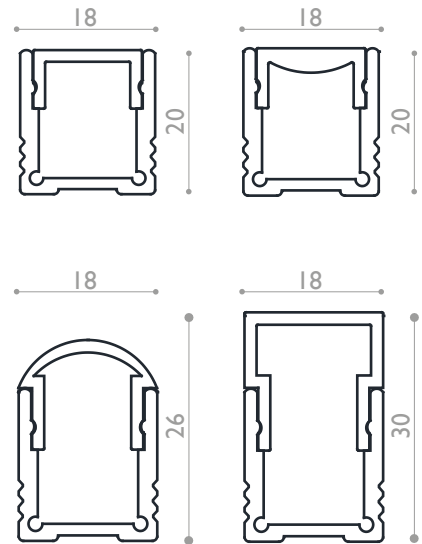
IP20
IP54
IP65

IP20
IP54
IP65

Dimming

No dimming
Dali
Dmx
Dimming 0-10V
Phase Digital Dimming

HF
DALI
DMX
D10
PHD



A3961.CLI
Clips Inox



A3961.CLS
Clips Inox Strong



A3961.C45
Clips Inox 45°



A3961.CAD
Clips orientable

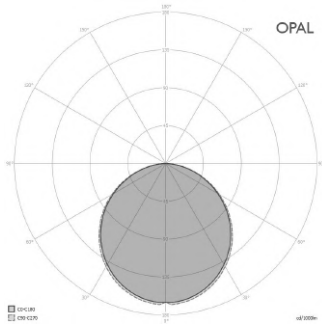
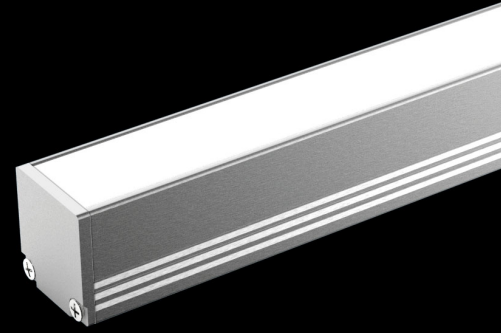


A3961.CLI
Liaison - Link

CAMPUS HIGH

Profile with optic
Profil aluminium avec optique

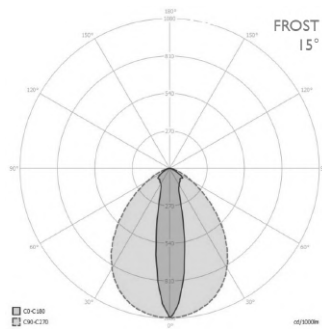
A396I



Opal Optic



Opal Semi Circular Optic



Frost x° Optic



High Opal Optic

