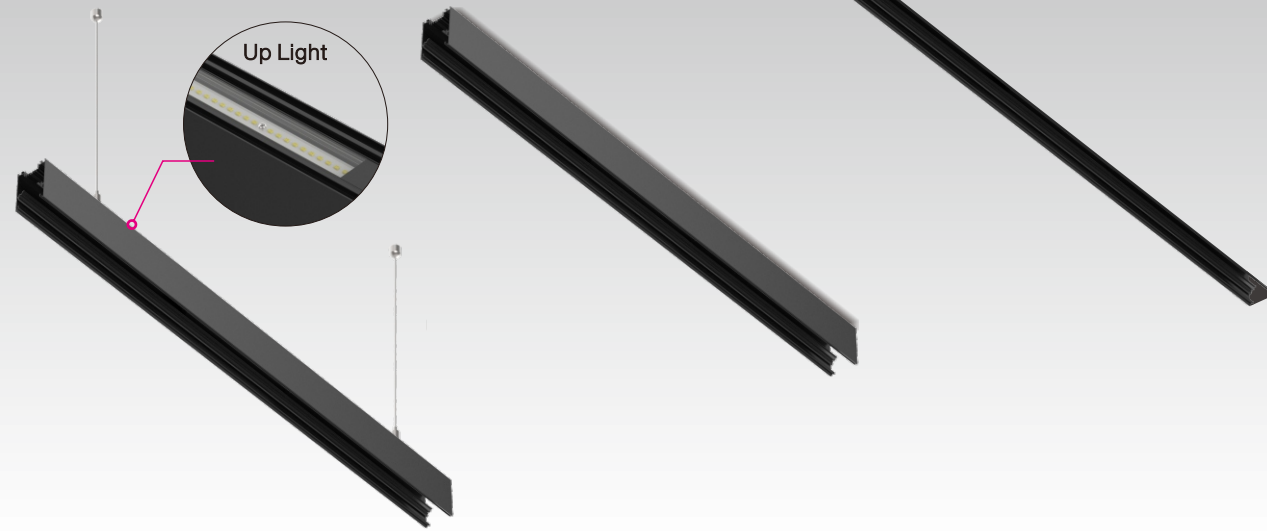


Microprismatic Cover  
UGR<19

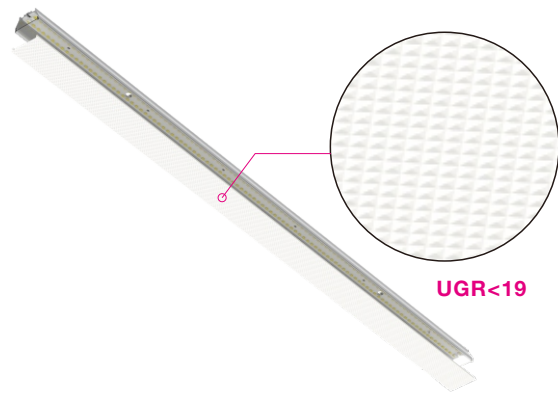
Pendant

Surface Mounted

Trimless Recessed



Channels



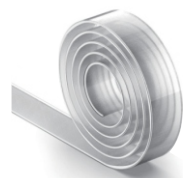
Mircoprismatic Diffuser (Standard)



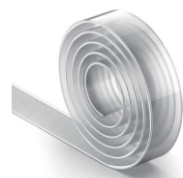
Opal Diffuser (Option)

Optional Flexible Diffuser

\*Up to 30 meters long, in-field cuttable

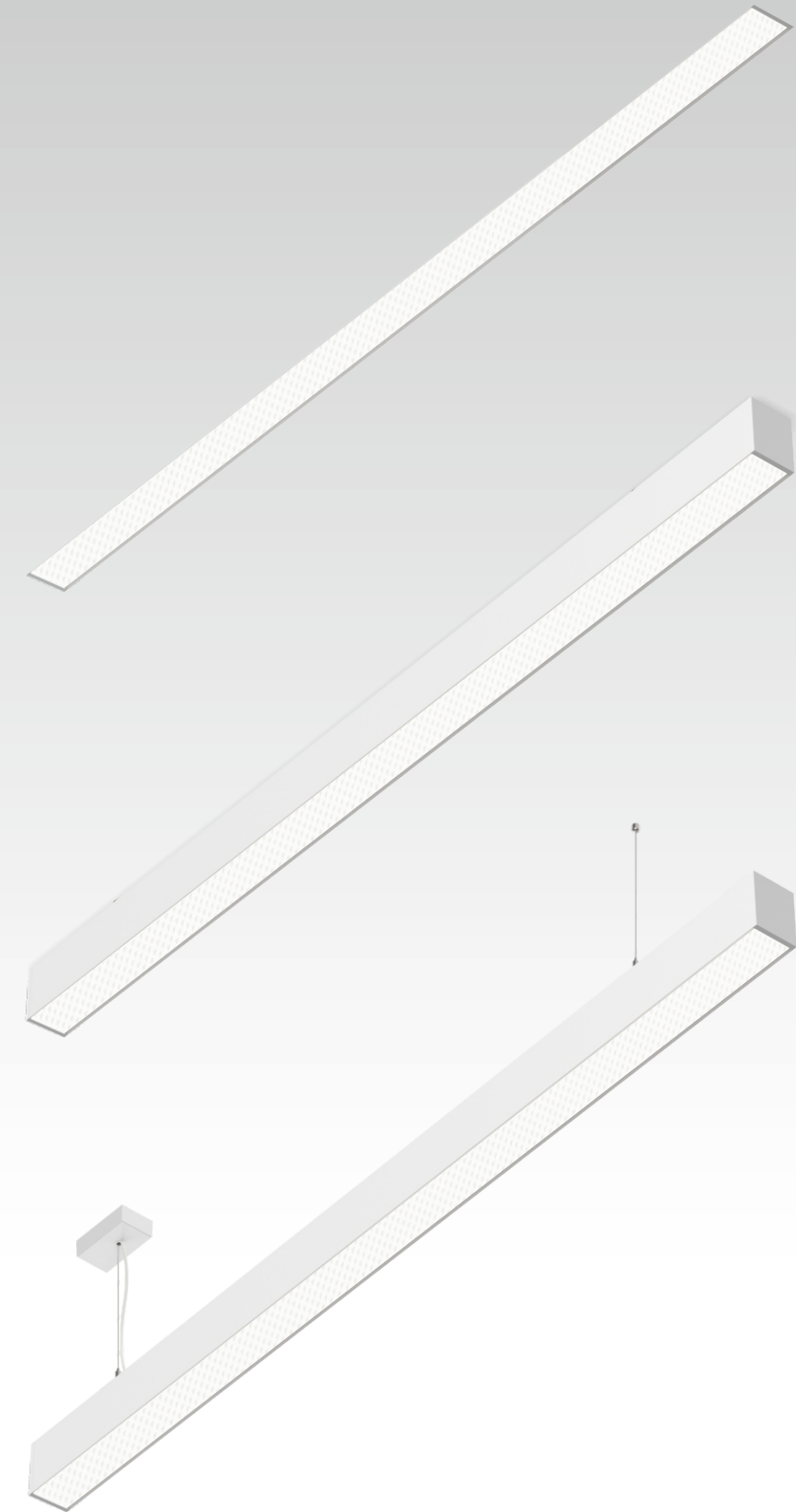


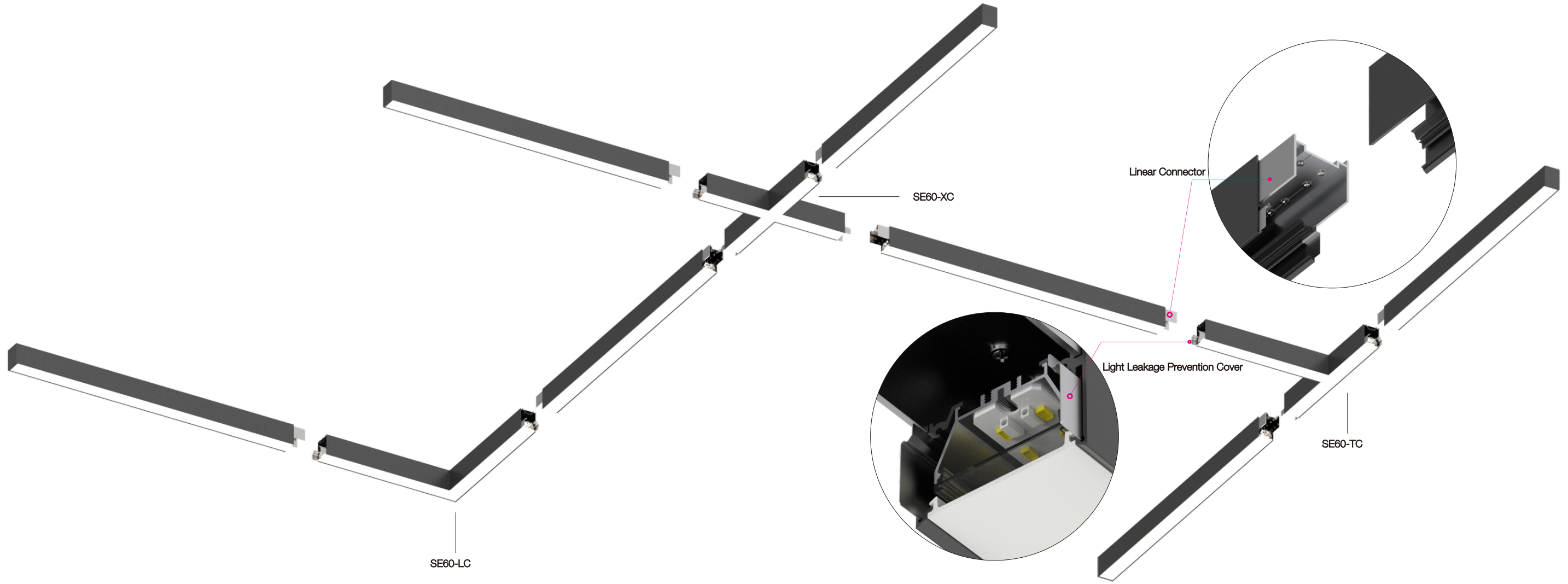
Flexible Prismatic Diffuser, UGR<19



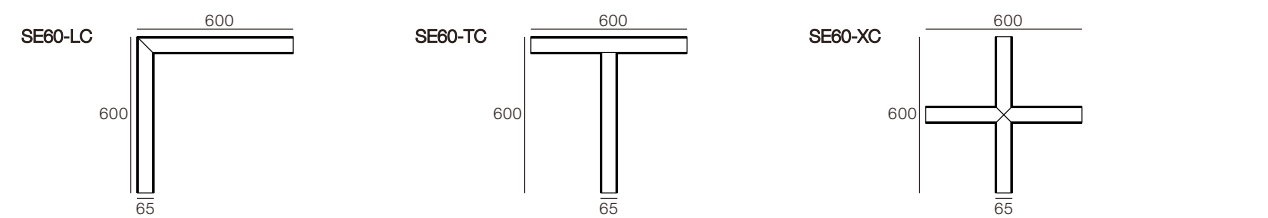
Flexible Opal Diffuser

Inserts





**Corner Module of SPACE 60 Linear System**



Module	LED Power	System Power	LED Voltage	LED Current	Length	Color	CRI	CCT	Beam	System Output	Code		
SE60-LC	23 W	26 W	33V	700mA	600x600mm	White	80	3000K	80°	2300lm	SELC-8308026F-WN		
								4000K	80°	2500lm	SELC-8408026F-WN		
								90	3000K	80°	2000lm	SELC-9308026F-WN	
								4000K	80°	2200lm	SELC-9408026F-WN		
								Black	80	3000K	80°	2300lm	SELC-8308026F-BN
									4000K	80°	2500lm	SELC-8408026F-BN	
						90	3000K		80°	2000lm	SELC-9308026F-BN		
						4000K	80°		2200lm	SELC-9408026F-BN			

Code Remark: F=F(ON-OFF) A=A(1-10V Dim) D=D(DALI Dim)

Module	LED Power	System Power	LED Voltage	LED Current	Length	Color	CRI	CCT	Beam	System Output	Code		
SE60-TC	23 W	26 W	33V	700mA	600x600mm	White	80	3000K	80°	2300lm	SETC-8308026F-WN		
								4000K	80°	2500lm	SETC-8408026F-WN		
								90	3000K	80°	2000lm	SETC-9308026F-WN	
								4000K	80°	2200lm	SETC-9408026F-WN		
								Black	80	3000K	80°	2300lm	SETC-8308026F-BN
									4000K	80°	2500lm	SETC-8408026F-BN	
						90	3000K		80°	2000lm	SETC-9308026F-BN		
						4000K	80°		2200lm	SETC-9408026F-BN			

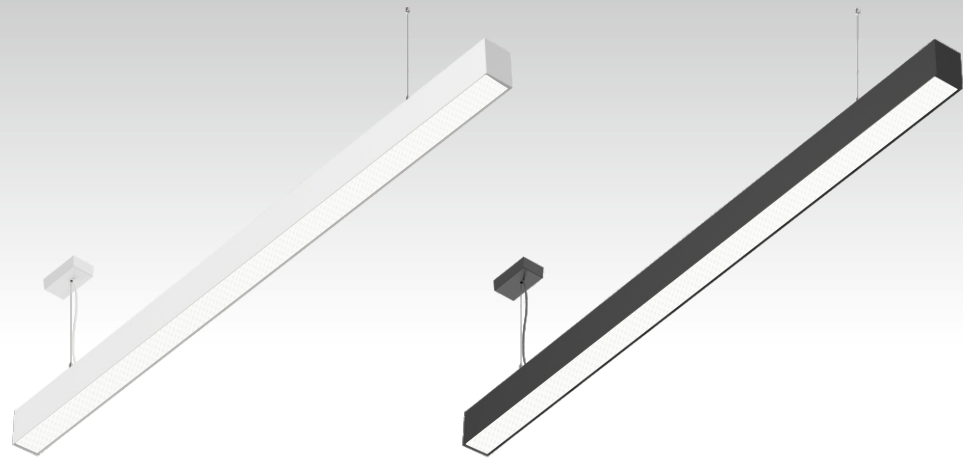
Code Remark: F=F(ON-OFF) A=A(1-10V Dim) D=D(DALI Dim)

Module	LED Power	System Power	LED Voltage	LED Current	Length	Color	CRI	CCT	Beam	System Output	Code		
SE60-XC	23 W	26 W	33V	700mA	600x600mm	White	80	3000K	80°	2300lm	SEXC-8308026F-WN		
								4000K	80°	2500lm	SEXC-8408026F-WN		
								90	3000K	80°	2000lm	SEXC-9308026F-WN	
								4000K	80°	2200lm	SEXC-9408026F-WN		
								Black	80	3000K	80°	2300lm	SEXC-8308026F-BN
									4000K	80°	2500lm	SEXC-8408026F-BN	
						90	3000K		80°	2000lm	SEXC-9308026F-BN		
						4000K	80°		2200lm	SEXC-9408026F-BN			

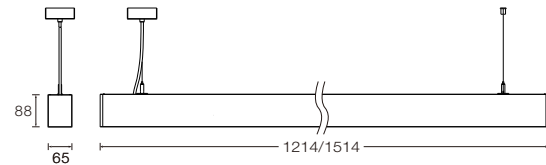
Code Remark: F=F(ON-OFF) A=A(1-10V Dim) D=D(DALI Dim)



**NEKO / SPACE 60**  
Linear Light System Pendant  
UGR<19



26W 34W	CRI80 CRI90	3000K 4000K	80° 80°	105° 80°	SAMSUNG 50,000h@L80B10	UGR < 19	IP20	5 YEAR GUARANTEE	CB	CE
------------	----------------	----------------	------------	-------------	---------------------------	-------------	------	------------------------	----	----



LED Power	System Power	LED Voltage	LED Current	Length	Color	CRI	CCT	Beam	System Output	Code			
23 W	26 W	33V	700mA	1214mm	White	80	3000K	80° ↓	2300lm	SEAP-8308026F-WN			
								80° ↓	2500lm	SEAP-8408026F-WN			
								90	3000K	80° ↓	2000lm	SEAP-9308026F-WN	
									4000K	80° ↓	2200lm	SEAP-9408026F-WN	
								Black	80	3000K	80° ↓	2300lm	SEAP-8308026F-BN
										4000K	80° ↓	2500lm	SEAP-8408026F-BN
90	3000K	80° ↓	2000lm	SEAP-9308026F-BN									
	4000K	80° ↓	2200lm	SEAP-9408026F-BN									

Code Remark: F=F(ON-OFF) A=A(1-10V Dim) D=D(DALI Dim)

30 W	34 W	33V	900mA	1514mm	White	80	3000K	80° ↓	3100lm	SEBP-8308034F-WN			
								80° ↓	3400lm	SEBP-8408034F-WN			
								90	3000K	80° ↓	2700lm	SEBP-9308034F-WN	
									4000K	80° ↓	2900lm	SEBP-9408034F-WN	
								Black	80	3000K	80° ↓	3100lm	SEBP-8308034F-BN
										4000K	80° ↓	3400lm	SEBP-8408034F-BN
90	3000K	80° ↓	2700lm	SEBP-9308034F-BN									
	4000K	80° ↓	2900lm	SEBP-9408034F-BN									

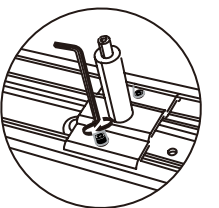
Code Remark: F=F(ON-OFF) A=A(1-10V Dim) D=D(DALI Dim)

LED Power	System Power	LED Voltage	LED Current	Length	Color	CRI	CCT	Beam	System Output	Code			
35 W	38 W	33V	1050mA	1214mm	White	80	3000K	80° ↓ 105° ↑	2300lm ↓ 1600lm ↑	SEAP-8308038F-WN-U			
								80° ↓ 105° ↑	2500lm ↓ 1700lm ↑	SEAP-8408038F-WN-U			
								90	3000K	80° ↓ 105° ↑	2000lm ↓ 1400lm ↑	SEAP-9308038F-WN-U	
									4000K	80° ↓ 105° ↑	2200lm ↓ 1500lm ↑	SEAP-9408038F-WN-U	
								Black	80	3000K	80° ↓ 105° ↑	2300lm ↓ 1600lm ↑	SEAP-8308038F-BN-U
										4000K	80° ↓ 105° ↑	2500lm ↓ 1700lm ↑	SEAP-8408038F-BN-U
90	3000K	80° ↓ 105° ↑	2000lm ↓ 1400lm ↑	SEAP-9308038F-BN-U									
	4000K	80° ↓ 105° ↑	2200lm ↓ 1500lm ↑	SEAP-9408038F-BN-U									

Code Remark: F=F(ON-OFF) A=A(1-10V Dim) D=D(DALI Dim)

43 W	47 W	33V	1300mA	1514mm	White	80	3000K	80° ↓ 105° ↑	3000lm ↓ 2100lm ↑	SEBP-8308047F-WN-U			
								80° ↓ 105° ↑	3300lm ↓ 2300lm ↑	SEBP-8408047F-WN-U			
								90	3000K	80° ↓ 105° ↑	2600lm ↓ 1800lm ↑	SEBP-9308047F-WN-U	
									4000K	80° ↓ 105° ↑	2800lm ↓ 1900lm ↑	SEBP-9408047F-WN-U	
								Black	80	3000K	80° ↓ 105° ↑	3000lm ↓ 2100lm ↑	SEBP-8308047F-BN-U
										4000K	80° ↓ 105° ↑	3300lm ↓ 2300lm ↑	SEBP-8408047F-BN-U
90	3000K	80° ↓ 105° ↑	2600lm ↓ 1800lm ↑	SEBP-9308047F-BN-U									
	4000K	80° ↓ 105° ↑	2800lm ↓ 1900lm ↑	SEBP-9408047F-BN-U									

Code Remark: F=F(ON-OFF) A=A(1-10V Dim) D=D(DALI Dim)

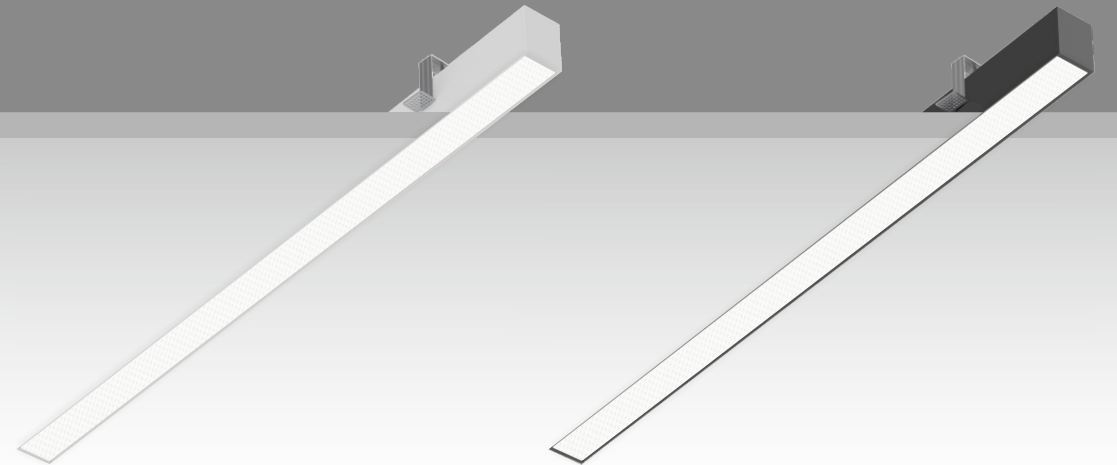
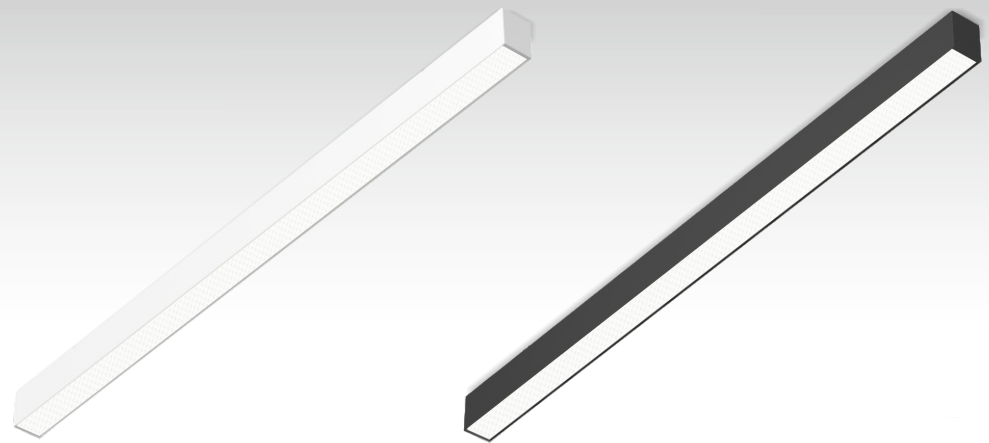




**NEKO / SPACE 60**

Linear Light System Surface & Trimless Recessed

UGR<19



LED Power	System Power	LED Voltage	LED Current	Length	Color	CRI	CCT	Beam	System Output	Code
23 W 34 W	26 W	33V	700mA	1214mm	White	80	3000K	80° ↓	2300lm	SEAC-8308026F-WN
							4000K	80° ↓	2500lm	SEAC-8408026F-WN
						90	3000K	80° ↓	2000lm	SEAC-9308026F-WN
							4000K	80° ↓	2200lm	SEAC-9408026F-WN
					Black	80	3000K	80° ↓	2300lm	SEAC-8308026F-BN
							4000K	80° ↓	2500lm	SEAC-8408026F-BN
90	3000K	80° ↓	2000lm	SEAC-9308026F-BN						
	4000K	80° ↓	2200lm	SEAC-9408026F-BN						

Code Remark: F=F(ON-OFF) A=A(1-10V Dim) D=D(DALI Dim)

LED Power	System Power	LED Voltage	LED Current	Length	Color	CRI	CCT	Beam	System Output	Code
30 W	34 W	33V	900mA	1514mm	White	80	3000K	80° ↓	3100lm	SEBC-8308034F-WN
							4000K	80° ↓	3400lm	SEBC-8408034F-WN
						90	3000K	80° ↓	2700lm	SEBC-9308034F-WN
							4000K	80° ↓	2900lm	SEBC-9408034F-WN
					Black	80	3000K	80° ↓	3100lm	SEBC-8308034F-BN
							4000K	80° ↓	3400lm	SEBC-8408034F-BN
90	3000K	80° ↓	2700lm	SEBC-9308034F-BN						
	4000K	80° ↓	2900lm	SEBC-9408034F-BN						

Code Remark: F=F(ON-OFF) A=A(1-10V Dim) D=D(DALI Dim)

LED Power	System Power	LED Voltage	LED Current	Length	Color	CRI	CCT	Beam	System Output	Code
23 W 34 W	26 W	33V	700mA	1214mm	White	80	3000K	80° ↓	2300lm	SEAT-8308026F-WN
							4000K	80° ↓	2500lm	SEAT-8408026F-WN
						90	3000K	80° ↓	2000lm	SEAT-9308026F-WN
							4000K	80° ↓	2200lm	SEAT-9408026F-WN
					Black	80	3000K	80° ↓	2300lm	SEAT-8308026F-BN
							4000K	80° ↓	2500lm	SEAT-8408026F-BN
90	3000K	80° ↓	2000lm	SEAT-9308026F-BN						
	4000K	80° ↓	2200lm	SEAT-9408026F-BN						

Code Remark: F=F(ON-OFF) A=A(1-10V Dim) D=D(DALI Dim)

LED Power	System Power	LED Voltage	LED Current	Length	Color	CRI	CCT	Beam	System Output	Code
30 W	34 W	33V	900mA	1514mm	White	80	3000K	80° ↓	3100lm	SEBT-8308034F-WN
							4000K	80° ↓	3400lm	SEBT-8408034F-WN
						90	3000K	80° ↓	2700lm	SEBT-9308034F-WN
							4000K	80° ↓	2900lm	SEBT-9408034F-WN
					Black	80	3000K	80° ↓	3100lm	SEBT-8308034F-BN
							4000K	80° ↓	3400lm	SEBT-8408034F-BN
90	3000K	80° ↓	2700lm	SEBT-9308034F-BN						
	4000K	80° ↓	2900lm	SEBT-9408034F-BN						

Code Remark: F=F(ON-OFF) A=A(1-10V Dim) D=D(DALI Dim)