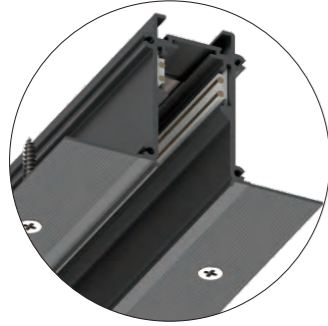




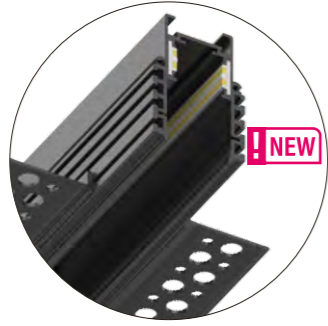




Trimless Recessed Track-EI



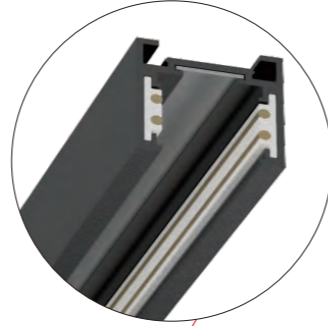
Trimless Recessed Track



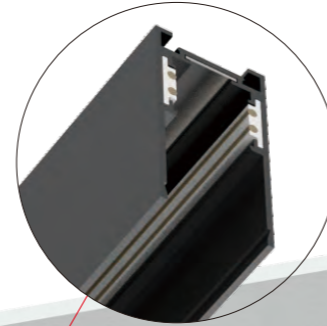
Trim Recessed Track



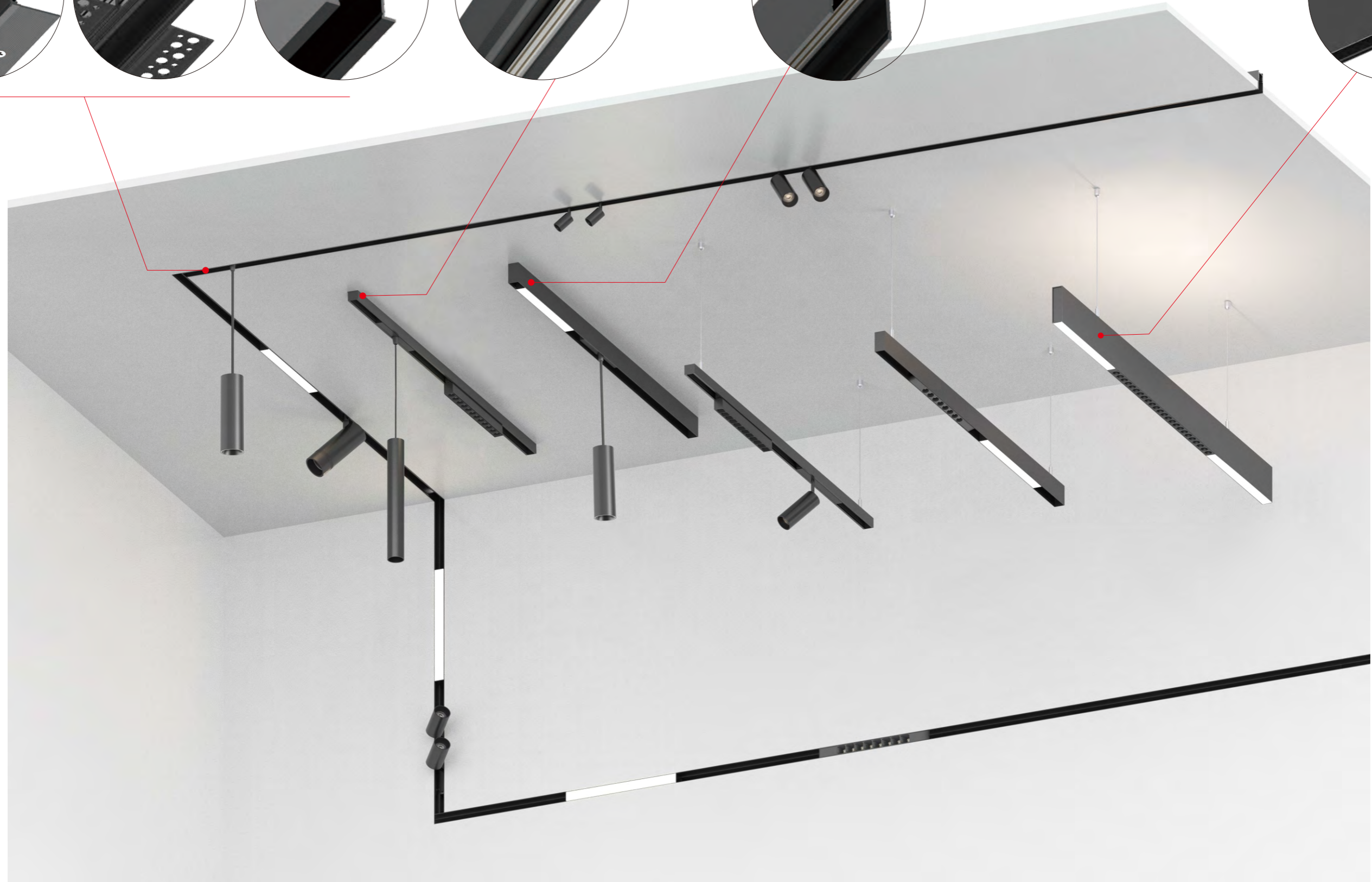
Slim Track

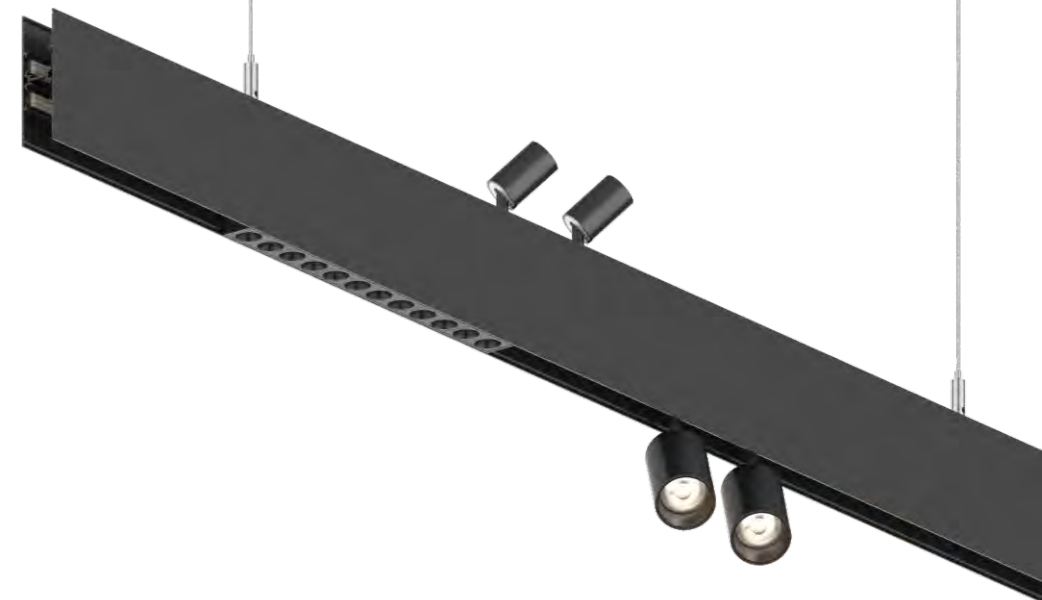
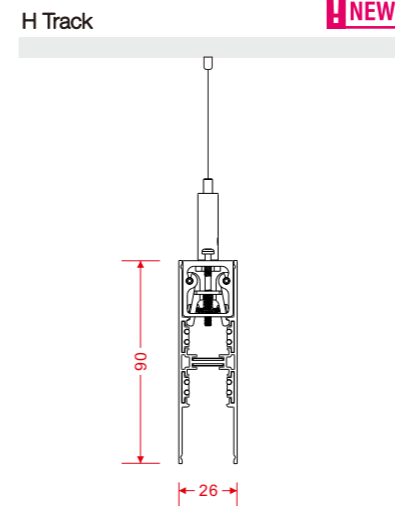
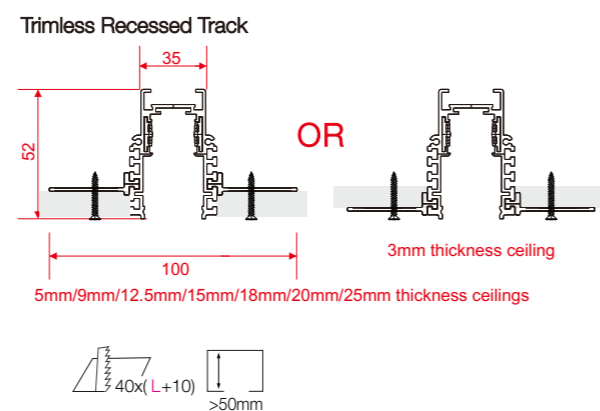
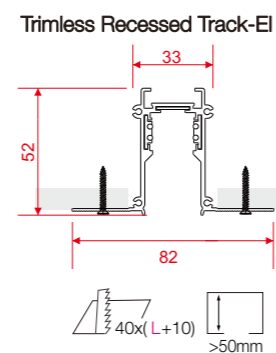
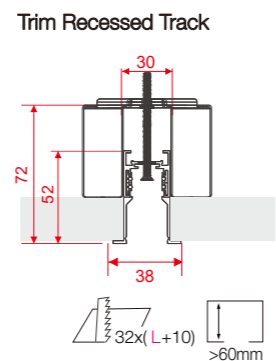
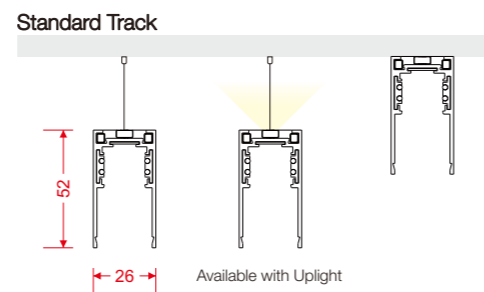
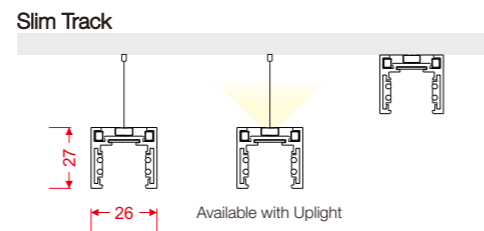


Standard Track



H Track





ML26-RS25-3W ML26-RS25-5W ML26-RS40-8W ML26-RS40-16W ML26-RS40-12W



ML26-AL190-3W ML26-AL190-7W ML26-RS40-24W ML26-RT55-10W ML26-RT72-26W



ML26-AL280-9W ML26-AL280-13W ML26-SA280-13W



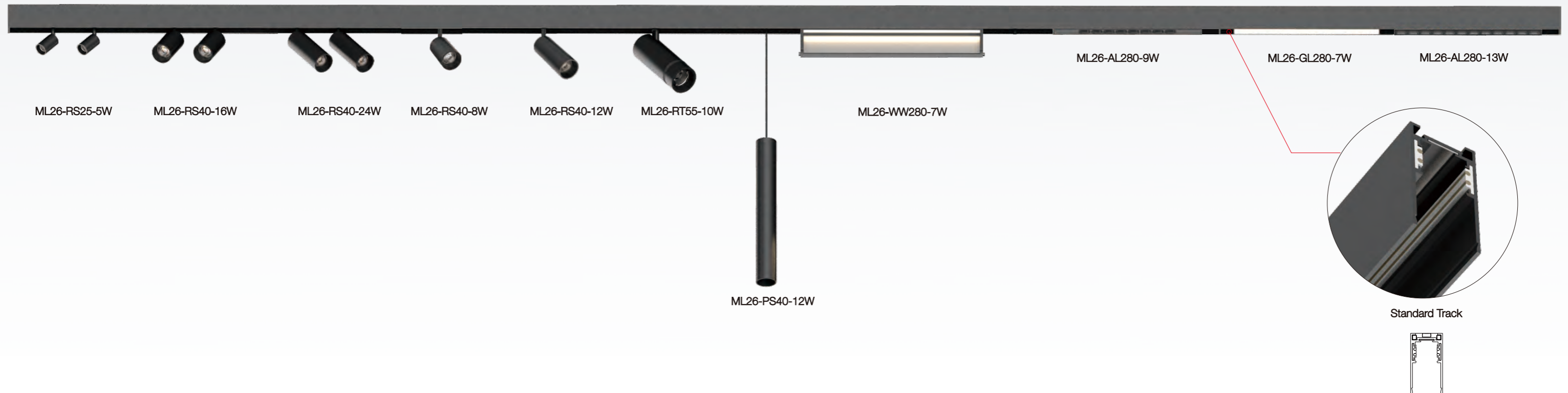
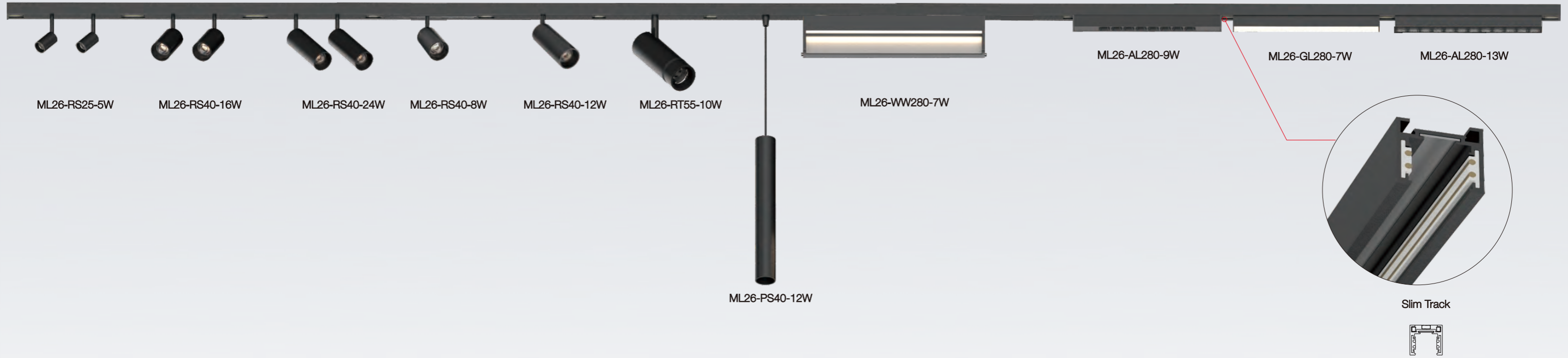
ML26-GL280-7W/ 10W
ML26-GL560-13W/ 19W
ML26-GL840-19W/ 26W
ML26-GL1120-26W

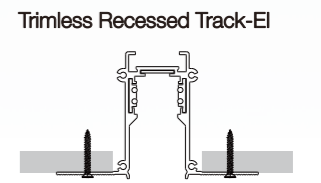
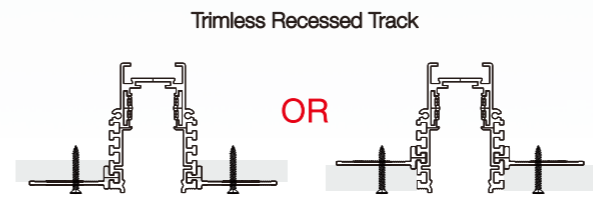
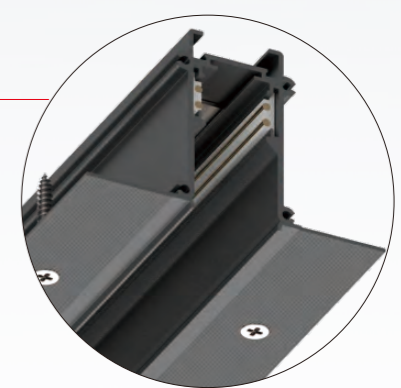
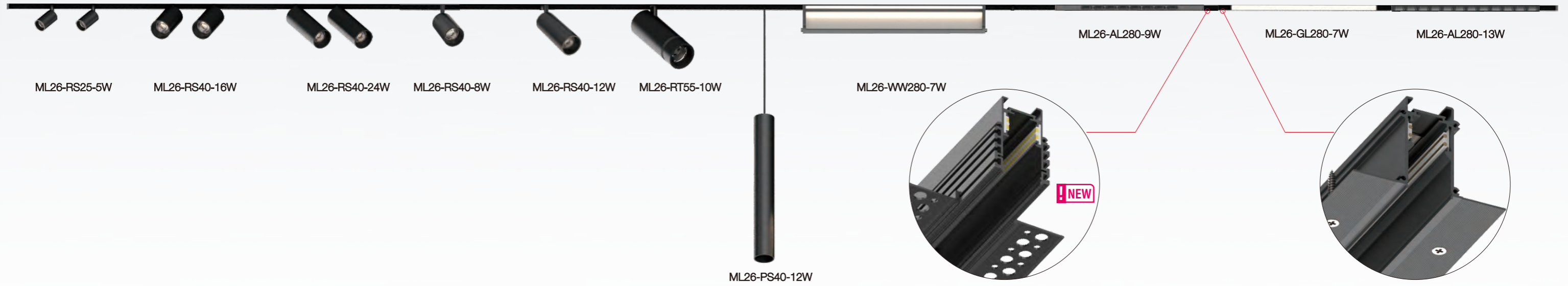
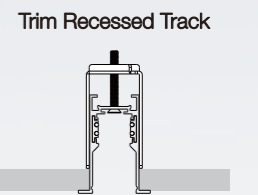
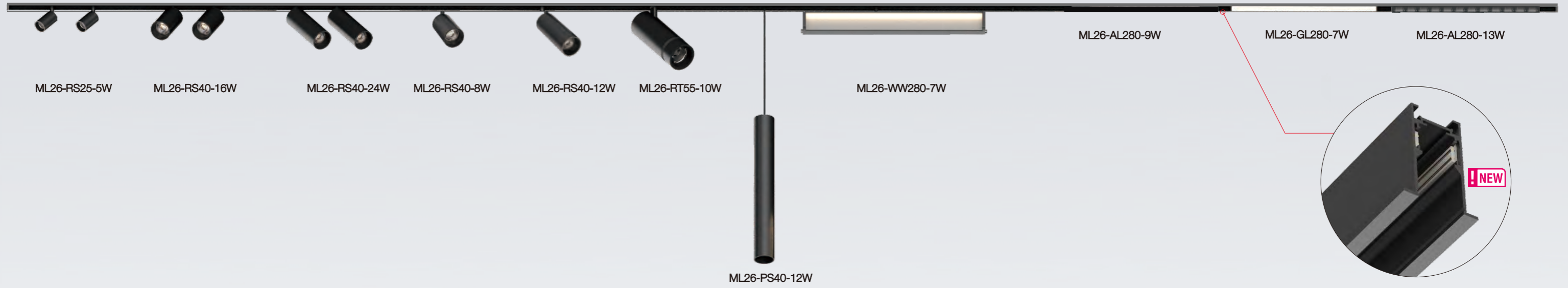
ML26-SG280-7W/ 10W

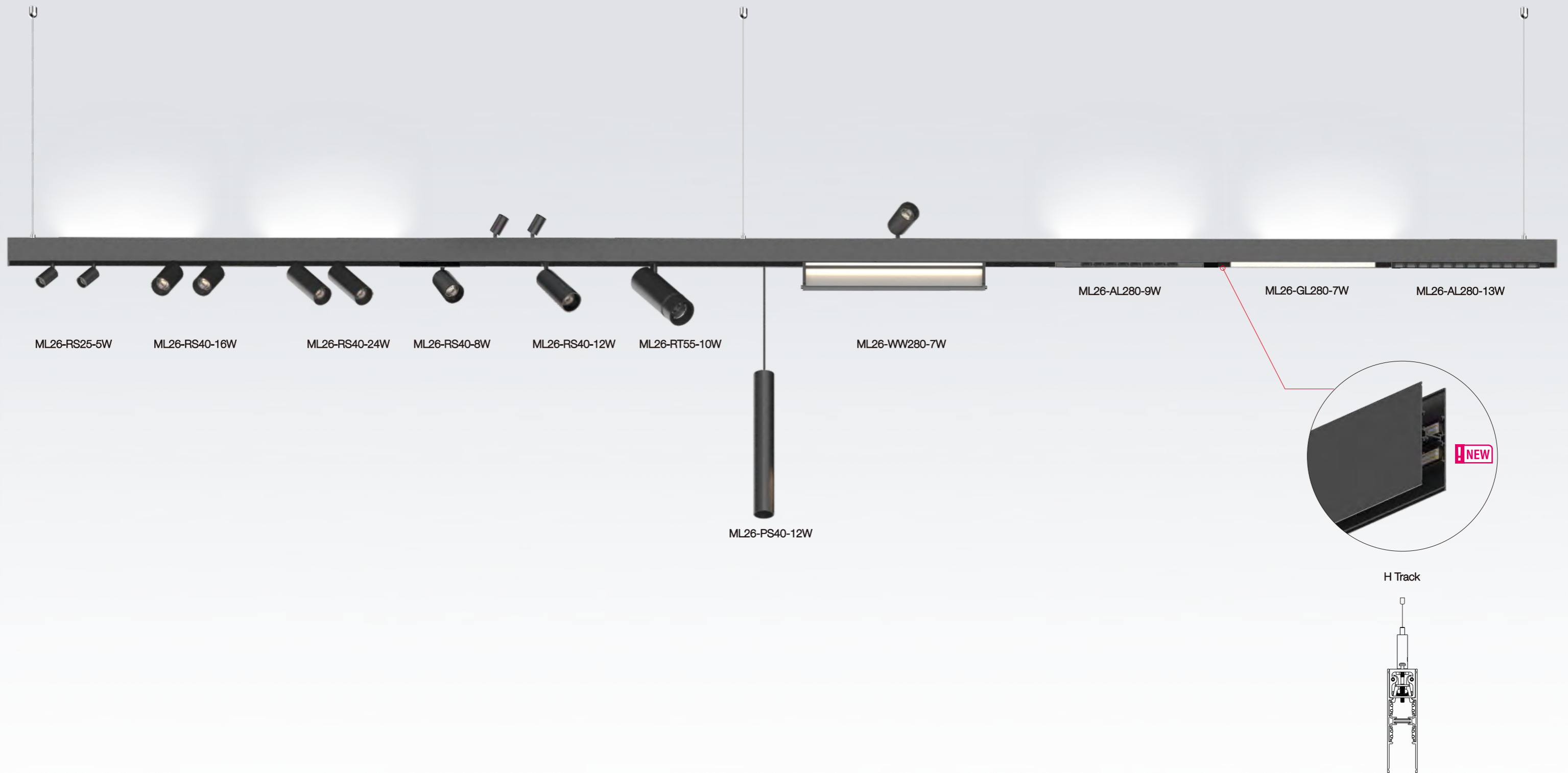
ML26-WW280-7W
ML26-WW560-13W



ML26-PS40-12W ML26-PS55-14W







ML26-RS25-5W

ML26-RS40-16W

ML26-RS40-24W

ML26-RS40-8W

ML26-RS40-12W

ML26-RT55-10W

ML26-PS40-12W

ML26-WW280-7W

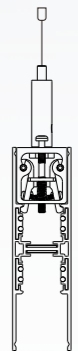
ML26-AL280-9W

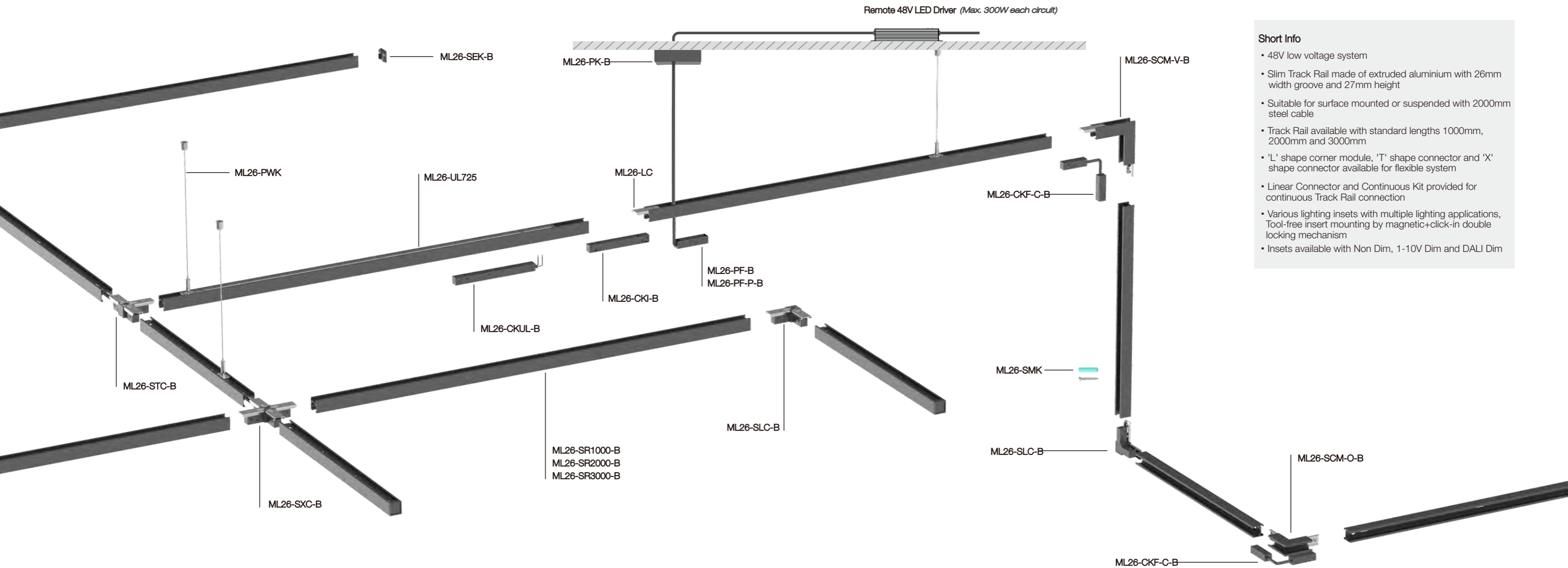
ML26-GL280-7W

ML26-AL280-13W

NEW

H Track



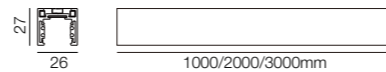


Short Info

- 48V low voltage system
- Slim Track Rail made of extruded aluminium with 26mm width groove and 27mm height
- Suitable for surface mounted or suspended with 2000mm steel cable
- Track Rail available with standard lengths 1000mm, 2000mm and 3000mm
- 'L' shape corner module, 'T' shape connector and 'X' shape connector available for flexible system
- Linear Connector and Continuous Kit provided for continuous Track Rail connection
- Various lighting insets with multiple lighting applications, Tool-free insert mounting by magnetic+click-in double locking mechanism
- Insets available with Non Dim, 1-10V Dim and DALI Dim

Moduline 26 Slim Track System

Please order installation track rail, light insets and mounting accessories separately.



Slim Track System Installation Track Rail | for surface or pendant mounting

Tracks can be shortened on site	Code/ Model (Black-Standard)	Code/ Model (White-Option)
L x W x H : 1000 x 26 x 27mm	ML26-SR1000-B	ML26-SR1000-W
L x W x H : 2000 x 26 x 27mm	ML26-SR2000-B	ML26-SR2000-W
L x W x H : 3000 x 26 x 27mm	ML26-SR3000-B	ML26-SR3000-W

•Track Rail including endcaps.

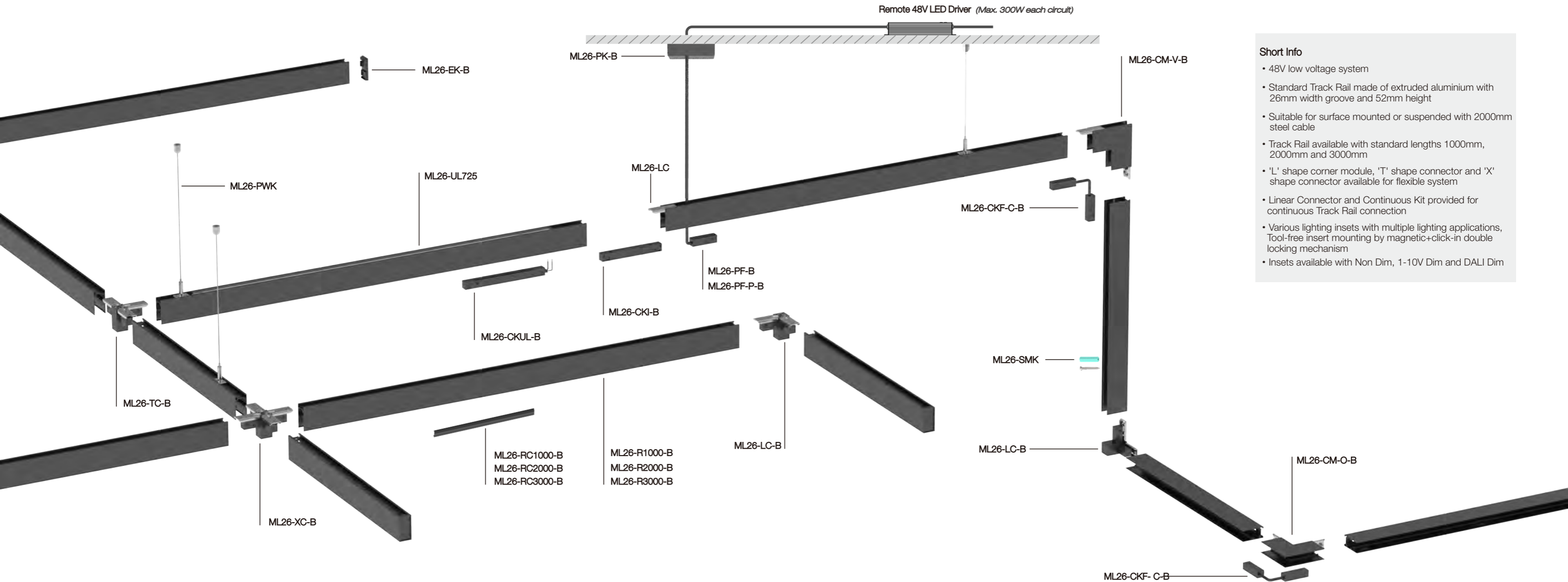
Accessories of Slim Track System

Vertical 'L' Shape Corner Module-Inner, 80 x 80mm	ML26-SCM-V-B	ML26-SCM-V-W
Vertical 'L' Shape Corner Module-Outer, 80 x 80mm	ML26-SCM-V-O-B	ML26-SCM-V-O-W
'L' Shape Connector Set, 26 x 26mm	ML26-SLC-B	ML26-SLC-W
'T' Shape Connector Set, 26 x 26mm	ML26-STC-B	ML26-STC-W
'X' Shape Connector Set, 26 x 26mm	ML26-SXC-B	ML26-SXC-W
Endcap Kit (2pcs/ set) of Slim Track Rail	ML26-SEK-B	ML26-SEK-W
Power Feeder Unit with feeder cables 500mm for surface mounted	ML26-PF-B	ML26-PF-W
Power Feeder Unit with feeder cables 2000mm for pendant	ML26-PF-P-B	ML26-PF-P-W
Linear Connector with screws	ML26-LC	ML26-LC
Straight Continuous Kit*, Electrical	ML26-CKI-B	ML26-CKI-W
Flexible Continuous Kit*, Electrical	ML26-CKF-C-B	ML26-CKF-C-W
Surface mounted installation kit, 1set for 1000mm track	ML26-SMK	ML26-SMK
Moduline 26 Pendant Installation Kits, with 1pcs Ceiling Box & 2pcs Pendant Wire (2000mm) Kits	ML26-PK-B	ML26-PK-W
Pendant Wire Kit, Wire in 2000mm Length, 2pcs/ set for 1000mm Track	ML26-PWK	ML26-PWK

*Continuous Kit needs to be used together with Linear Connector as a set.

Insets

<p>Spotlight</p> <p>● Page 263-268</p> 	<p>Pendant Spotlight</p> <p>● Page 273-274</p> 
<p>Accent Light</p> <p>● Page 269-270</p> 	
<p>General Light</p> <p>● Page 271-272</p> 	
<p>Wall Wash Light</p> <p>● Page 275-276</p> 	

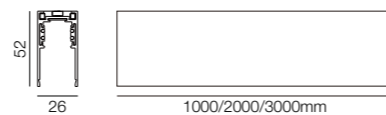


Short Info

- 48V low voltage system
- Standard Track Rail made of extruded aluminium with 26mm width groove and 52mm height
- Suitable for surface mounted or suspended with 2000mm steel cable
- Track Rail available with standard lengths 1000mm, 2000mm and 3000mm
- 'L' shape corner module, 'T' shape connector and 'X' shape connector available for flexible system
- Linear Connector and Continuous Kit provided for continuous Track Rail connection
- Various lighting insets with multiple lighting applications, Tool-free insert mounting by magnetic+click-in double locking mechanism
- Insets available with Non Dim, 1-10V Dim and DALI Dim

Moduline 26 Standard Track System

Please order installation track rail, light insets and mounting accessories separately.



Standard Track System Installation Track Rail | for surface or pendant mounting

Tracks can be shortened on site	Code/ Model (Black-Standard)	Code/ Model (White-Option)
L x W x H : 1000 x 26 x 52mm	ML26-R1000-B	ML26-R1000-W
L x W x H : 2000 x 26 x 52mm	ML26-R2000-B	ML26-R2000-W
L x W x H : 3000 x 26 x 52mm	ML26-R3000-B	ML26-R3000-W

•Track Rail including endcaps.

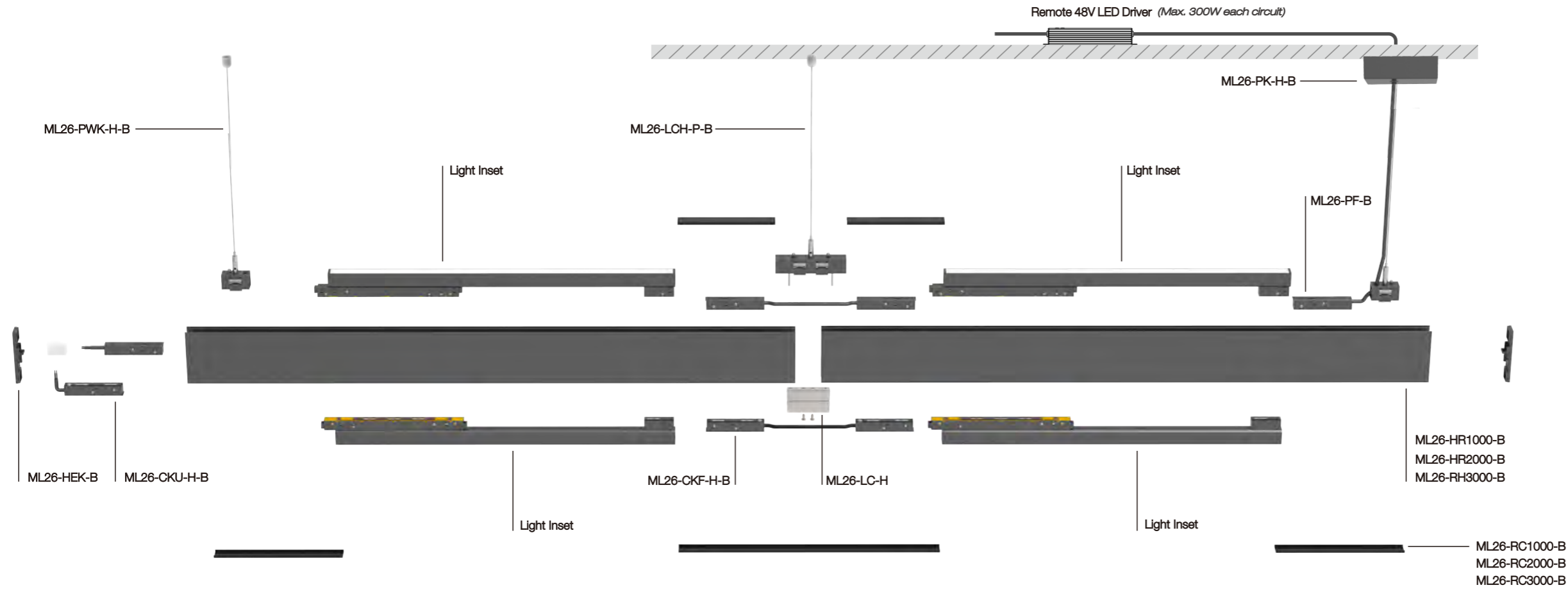
Accessories of Slim Track System

Vertical 'L' Shape Corner Module-Inner, 80 x 80mm	ML26-CM-V-B	ML26-CM-V-W
Vertical 'L' Shape Corner Module-Outer, 80 x 80mm	ML26-CM-V-O-B	ML26-CM-V-O-W
'L' Shape Connector Set, 26 x 26mm	ML26-LC-B	ML26-LC-W
'T' Shape Connector Set, 26 x 26mm	ML26-TC-B	ML26-TC-W
'X' Shape Connector Set, 26 x 26mm	ML26-XC-B	ML26-XC-W
Endcap Kit (2pcs/ set) of Slim Track Rail	ML26-EK-B	ML26-EK-W
Power Feeder Unit with feeder cables 500mm for surface mounted	ML26-PF-B	ML26-PF-W
Power Feeder Unit with feeder cables 2000mm for pendant	ML26-PF-P-B	ML26-PF-P-W
Linear Connector with screws	ML26-LC	ML26-LC
Straight Continuous Kit*, Electrical	ML26-CKI-B	ML26-CKI-W
Flexible Continuous Kit*, Electrical	ML26-CKF-C-B	ML26-CKF-C-W
Surface mounted installation kit, 1set for 1000mm track	ML26-SMK	ML26-SMK
Moduline 26 Pendant Installation Kits, with 1pcs Ceiling Box & 2pcs Pendant Wire (2000mm) Kits	ML26-PK-B	ML26-PK-W
Pendant Wire Kit, Wire in 2000mm Length, 2pcs/ set for 1000mm Track	ML26-PWK	ML26-PWK
Track Rail Cover 1000mm/2000mm/3000mm, can be shortened at site	ML26-RC1000-B	ML26-RC1000-W

*Continuous Kit needs to be used together with Linear Connector as a set.

Insets

<p>Spotlight</p> <p>● Page 263-268</p>	<p>Pendant Spotlight</p> <p>● Page 273-274</p>
<p>Accent Light</p> <p>● Page 269-270</p>	
<p>General Light</p> <p>● Page 271-272</p>	
<p>Wall Wash Light</p> <p>● Page 275-276</p>	

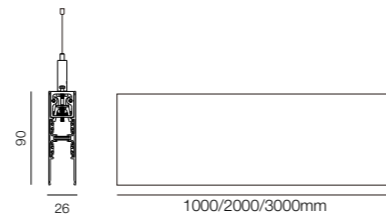


Short Info

- 48V low voltage system
- H Track Rail made of extruded aluminium with 26mm width groove and 90mm height
- Suitable for surface mounted or suspended with 2000mm steel cable
- Track Rail available with standard lengths 1000mm, 2000mm and 3000mm
- Linear Connector and Continuous Kit provided for continuous Track Rail connection
- Various lighting insets with multiple lighting applications, Tool-free insert mounting by magnetic+click-in double locking mechanism
- Insets available with Non Dim, 1-10V Dim and DALI Dim

Moduline 26 H Track System

Please order installation track rail, light insets and mounting accessories separately.



Standard Track System Installation Track Rail | for surface or pendant mounting

Tracks can be shortened on site	Code/ Model (Black-Standard)	Code/ Model (White-Option)
L x W x H : 1000 x 26 x 90mm	ML26-HR1000-B	ML26-HR1000-W
L x W x H : 2000 x 26 x 90mm	ML26-HR2000-B	ML26-HR2000-W
L x W x H : 3000 x 26 x 90mm	ML26-HR3000-B	ML26-HR3000-W

•Track Rail including endcaps.

Accessories of Slim Track System

Endcap Kit (2pcs/ set) of H Track Rail	ML26-HEK-B	ML26-HEK-W
Power Feeder Unit with feeder cables 2000mm for pendant	ML26-PF-P-B	ML26-PF-P-W
Flexible Continuous Kit, Electrical, for Up Track and Down Track connection	ML26-CKU-H-B	ML26-CKU-H-W
Flexible Continuous Kit, Electrical, for straight connection	ML26-CKF-H-B	ML26-CKF-H-W
Linear Connector with Pendant Kit of H Track System	ML26-LCH-P-B	ML26-LCH-P-W
Linear Connector Kit of H Track System	ML26-LC-H	ML26-LC-H
Moduline 26 Pendant Installation Kits, with 1pcs Ceiling Box & 1pcs H Track Pendant Wire (2000mm) Kits	ML26-PK-H-B	ML26-PK-H-W
H Track Pendant Wire Kit, Wire in 2000mm Length, 2pcs/ set for 1000mm Track	ML26-PWK-H-B	ML26-PWK-H-W
Track Rail Cover 1000mm/2000mm/3000mm, can be shortened at site	ML26-RC1000-B	ML26-RC1000-W

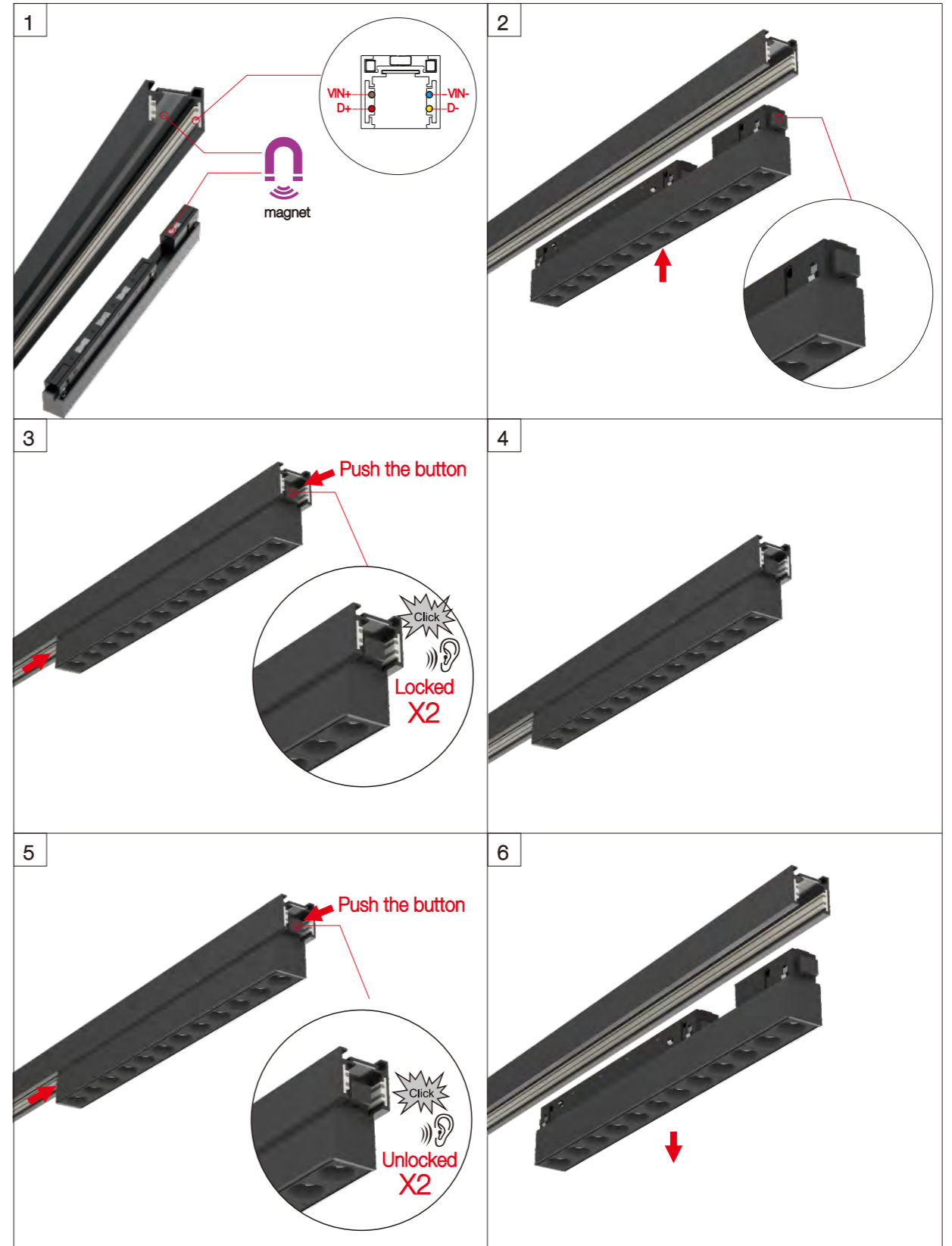
•Linear Connector Kit needs to be used together with Linear Connector with Pendant Kit

Insets

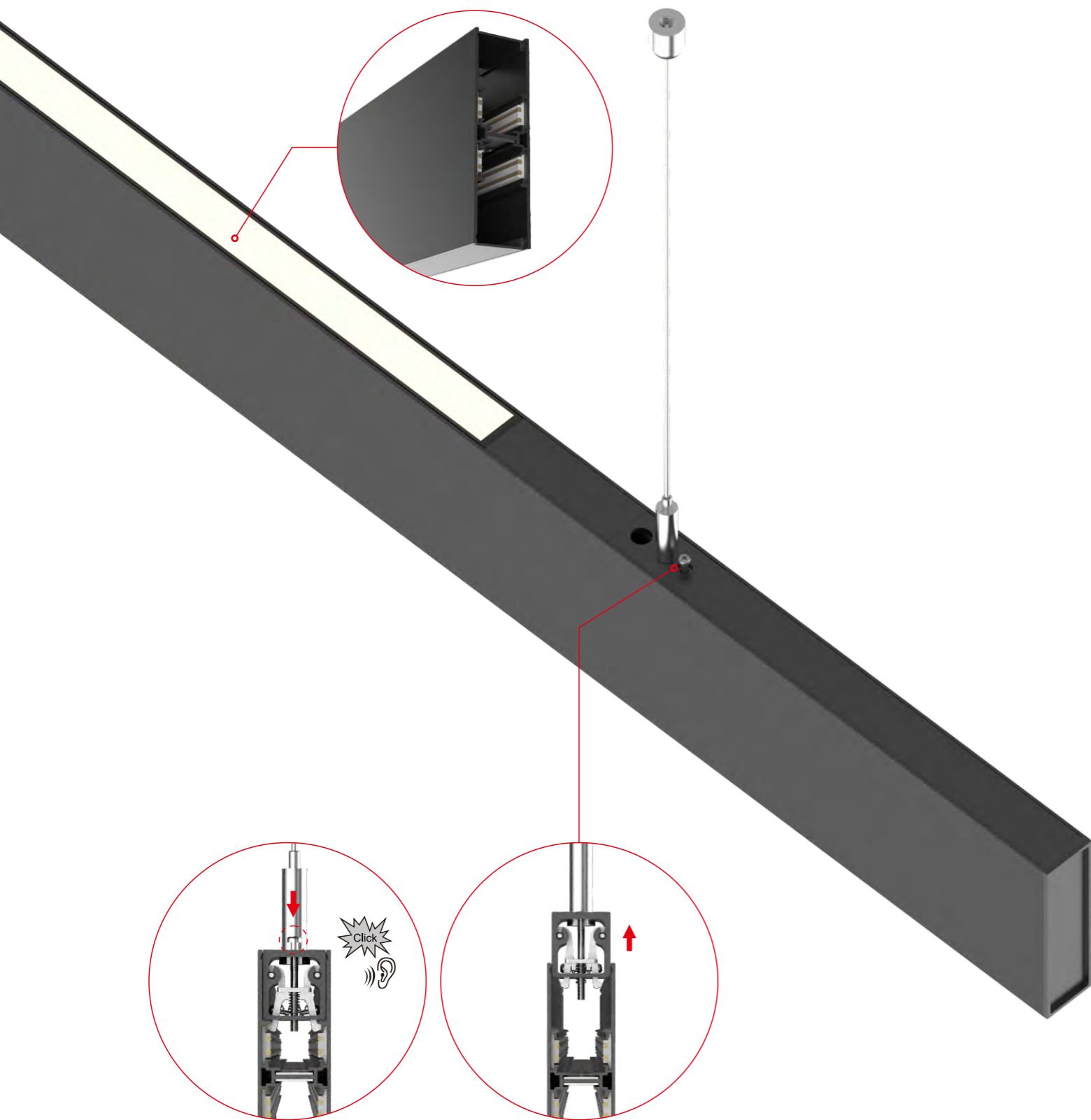
<p>Spotlight ● Page 263-268</p>	<p>Pendant Spotlight ● Page 273-274</p>
<p>Accent Light ● Page 269-270</p>	
<p>General Light ● Page 271-272</p>	
<p>Wall Wash Light ● Page 275-276</p>	



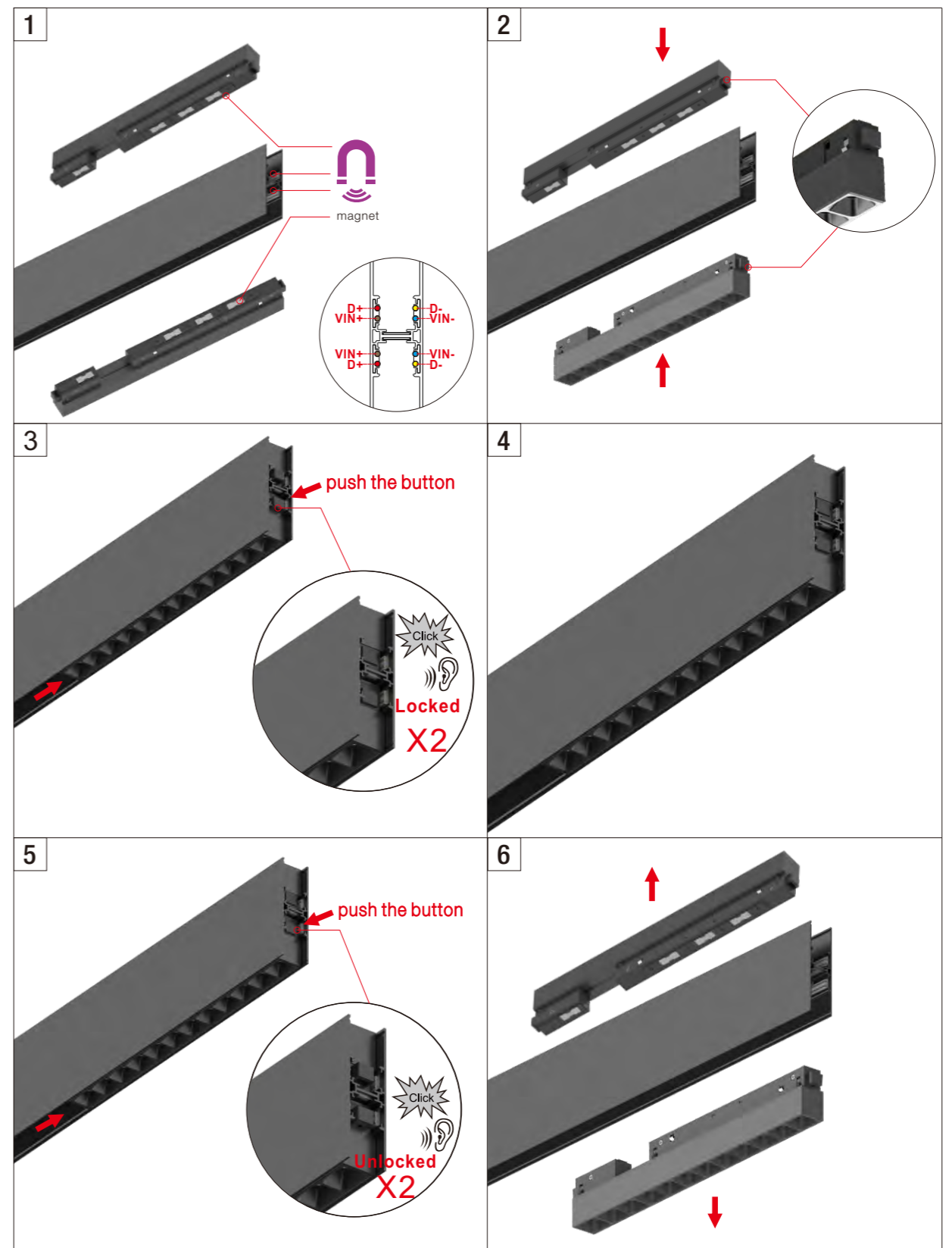
Installation

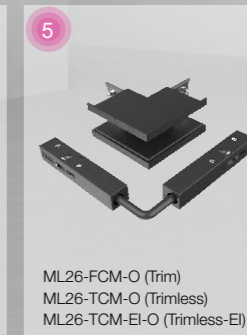


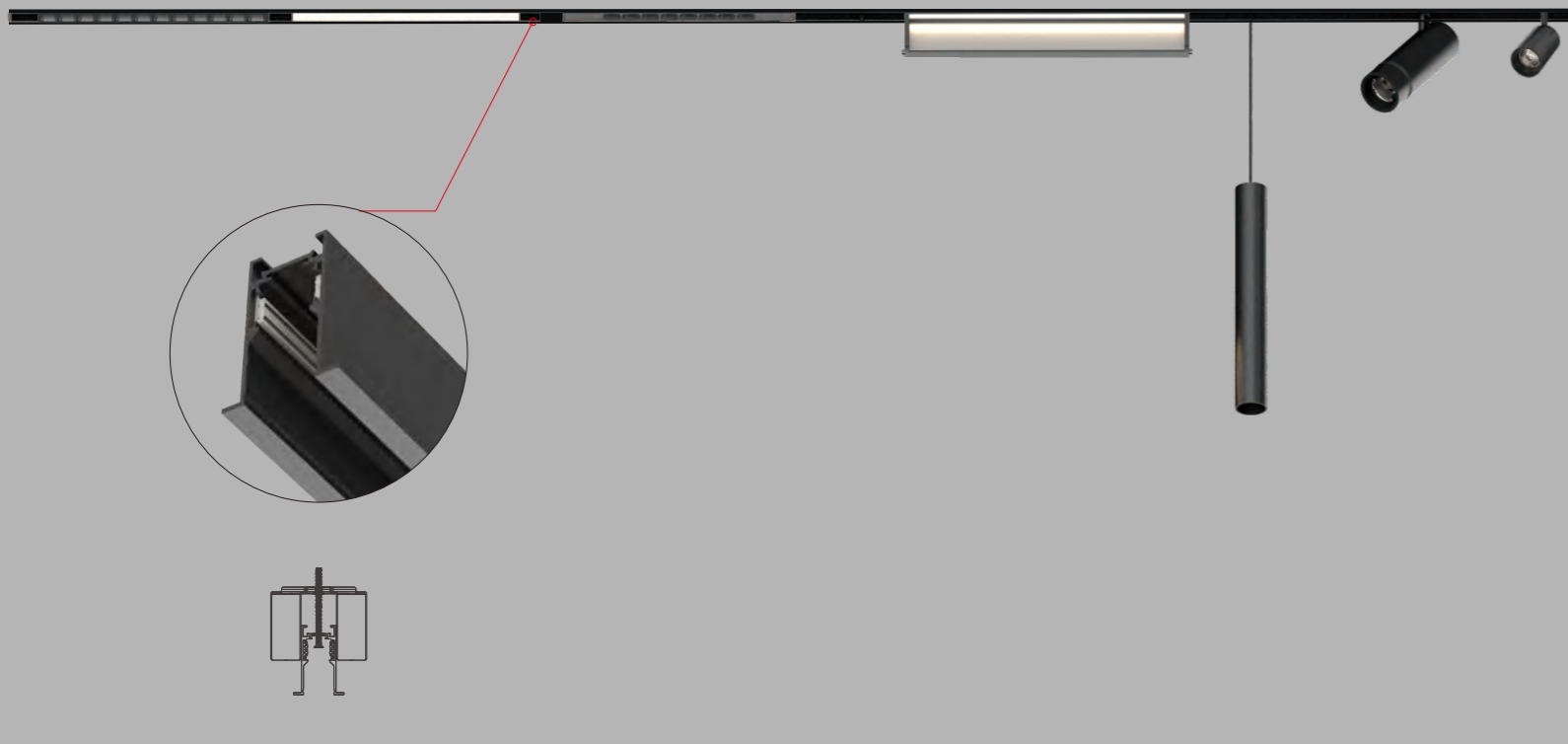
·Tool-free insert mounting by magnetic+click-in double locking mechanism



Installation







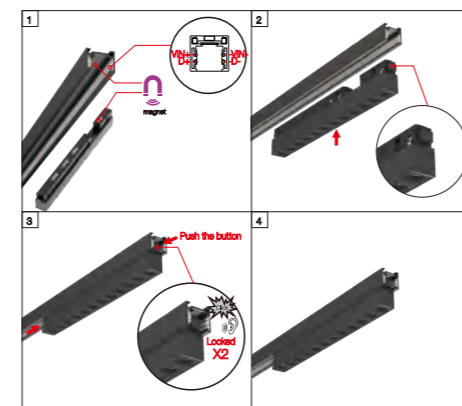
Short Info

- 48V low voltage system
- Trim Recessed Track Rail Version made of extruded aluminium with 26mm width groove and 52mm height
- Mounted from inner track , suitable for all thickness ceiling heights
- Track Rail available with standard lengths 1000mm, 2000mm and 3000mm
- 'L' shape corner module, 'T' shape connector and 'X' shape connector available for flexible system
- Linear Connector and Continuous Kit provided for continuous Track Rail connection
- Various lighting insets with multiple lighting applications, Tool-free insert mounting by magnetic+click-in double locking mechanism
- insets available with Non Dim, 1-10V Dim and DALI Dim

Insets



Features



-Magnetic+click-in double locking mechanism

Short Info

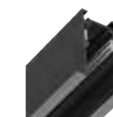
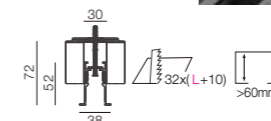
Moduline 26 Trim Recessed Track System

Electrical

- Non Dim
- 1-10V Dim
- DALI Dim

Fixture Colour

Black White(Optional)



Moduline 26 Trim Recessed Track System

Please order installation track rail, light insets and mounting accessories separately.

Trim Recessed Track System Version Installation Track Rail

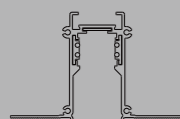
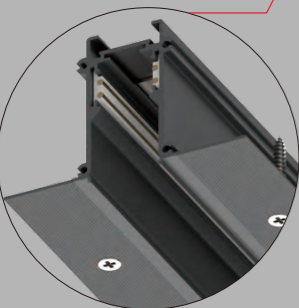
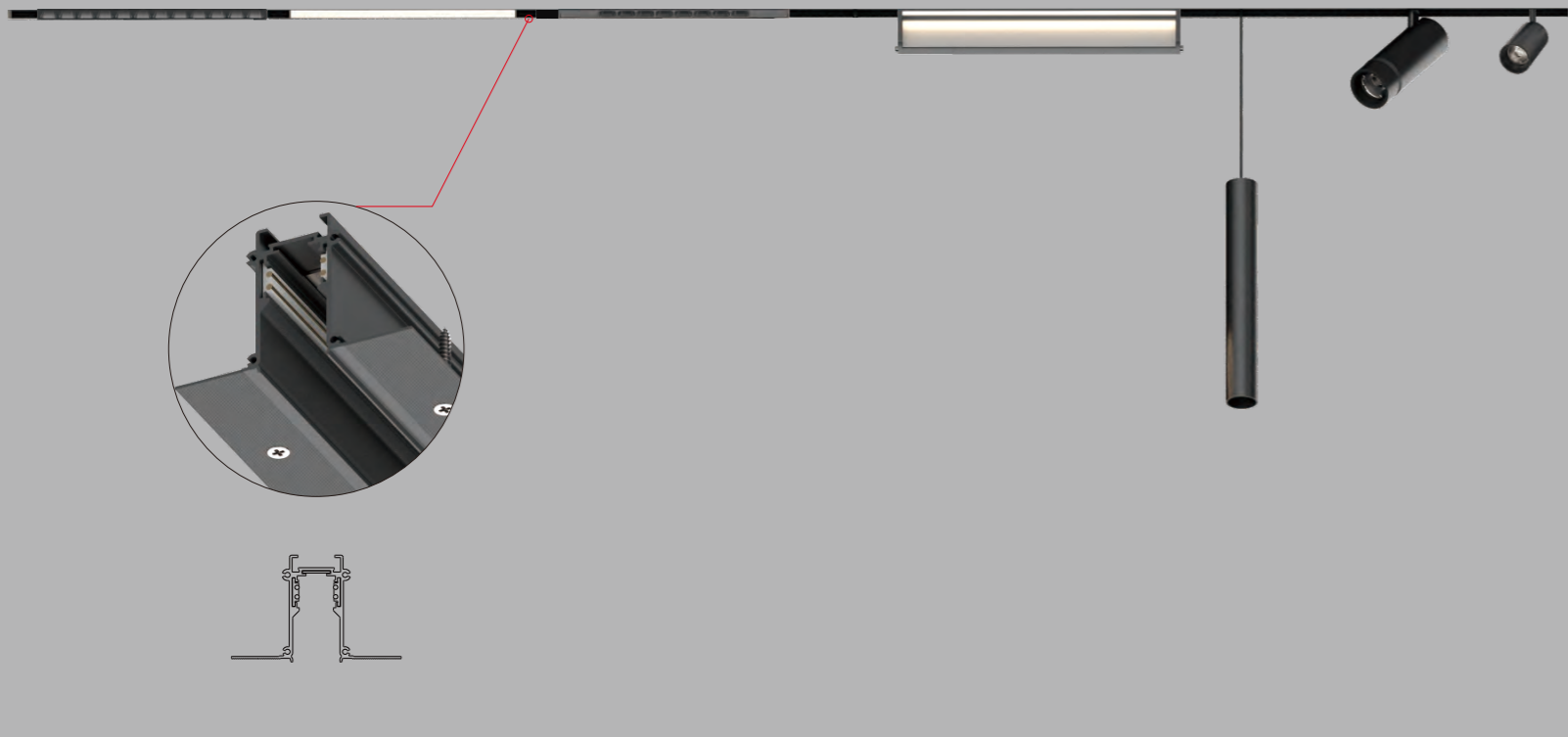
L (mm)	Description	Code/ Model (Black-Standard)	Code/ Model (White-Option)
1000	Trim Recessed Track Rail	ML26-FR1000-B	ML26-FR1000-W
2000	Trim Recessed Track Rail	ML26-FR2000-B	ML26-FR2000-W
3000	Trim Recessed Track Rail	ML26-FR3000-B	ML26-FR3000-W

*Track Rail including endcaps.

Accessories of Slim Track System

L (mm)	Description	Code/ Model (Black-Standard)	Code/ Model (White-Option)
80x80	Vertical 'L' shape corner module-Inner	ML26-FCM-V-B	ML26-FCM-V-W
80x80	Vertical 'L' shape corner module-Outer	ML26-FCM-O-B	ML26-FCM-O-W
80x80	Horizontal 'L' shape corner module	ML26-FCM-B	ML26-FCM-W
120x80	'T' Shape Connector Set	ML26-FTC-B	ML26-FTC-W
120x120	'X' Shape Connector Set	ML26-FXC-B	ML26-FXC-W
	Flexible Continuous Kit, Electrical	ML26-CKF-C-B	ML26-CKF-C-W
	*For Corner Connection.		
	Trim Recessed Track Rail Mounting Kit, 2pcs/ set	ML26-FIK	ML26-FIK
	Endcap Kit (2pcs/ set) of Trim Recessed Track	ML26-FEK-B	ML26-FEK-W
	Power Feeder Unit with feeder cables 500mm	ML26-PF-B	ML26-PF-W
	Track Rail Cover 1000mm	ML26-RC1000-B	ML26-RC1000-W
	Track Rail Cover 2000mm	ML26-RC2000-B	ML26-RC2000-W
	Track Rail Cover 3000mm	ML26-RC3000-B	ML26-RC3000-W
	*Track Rail Cover can be shortened as desired.		
	Linear Connector with screws	ML26-LC	ML26-LC
	Straight Continuous Kit*, Electrical	ML26-CKI-B	ML26-CKI-W
	*Continuous Kit needs to be used together with Linear Connector as a set.		

NEKO / MODULINE 26 Linear System
 48V Low Voltage Modular Linear System
 Trimless Recessed Track System-EI
 Easy Installation



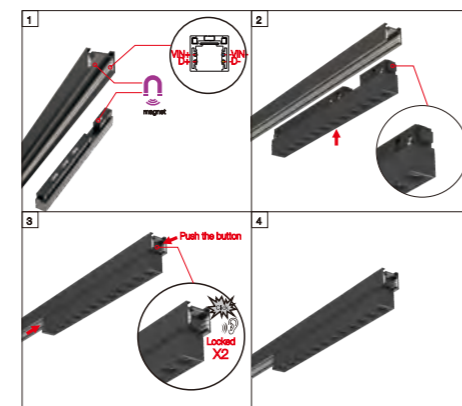
Short Info

- 48V low voltage system
- Trimless Recessed Track Rail Easy Installation Version made of extruded aluminium with 26mm width groove and 52mm height
- Mounted from surface, suitable for all thickness ceiling heights
- Track Rail available with standard lengths 1000mm, 2000mm and 3000mm
- 'L' shape corner module, 'T' shape connector and 'X' shape connector available for flexible system
- Linear Connector and Continuous Kit provided for continuous Track Rail connection
- Various lighting insets with multiple lighting applications, Tool-free insert mounting by magnetic+click-in double locking mechanism
- Insets available with Non Dim, 1-10V Dim and DALI Dim

Insets



Features

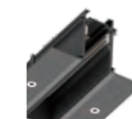
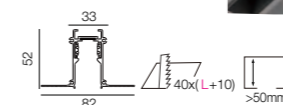


-Magnetic+click-in double locking mechanism

Short Info

**Moduline 26 Trimless Recessed Track System
 Easy Installation Version**

- Electrical**
 Non Dim
 1-10V Dim
 DALI Dim
- Fixture Colour**
 Black White(Optional)



**Moduline 26 Trimless Recessed Track System
 Easy Installation Version**

Please order installation track rail, light insets and mounting accessories separately.

Trimless Recessed Track System Easy Installation Version Installation Track Rail

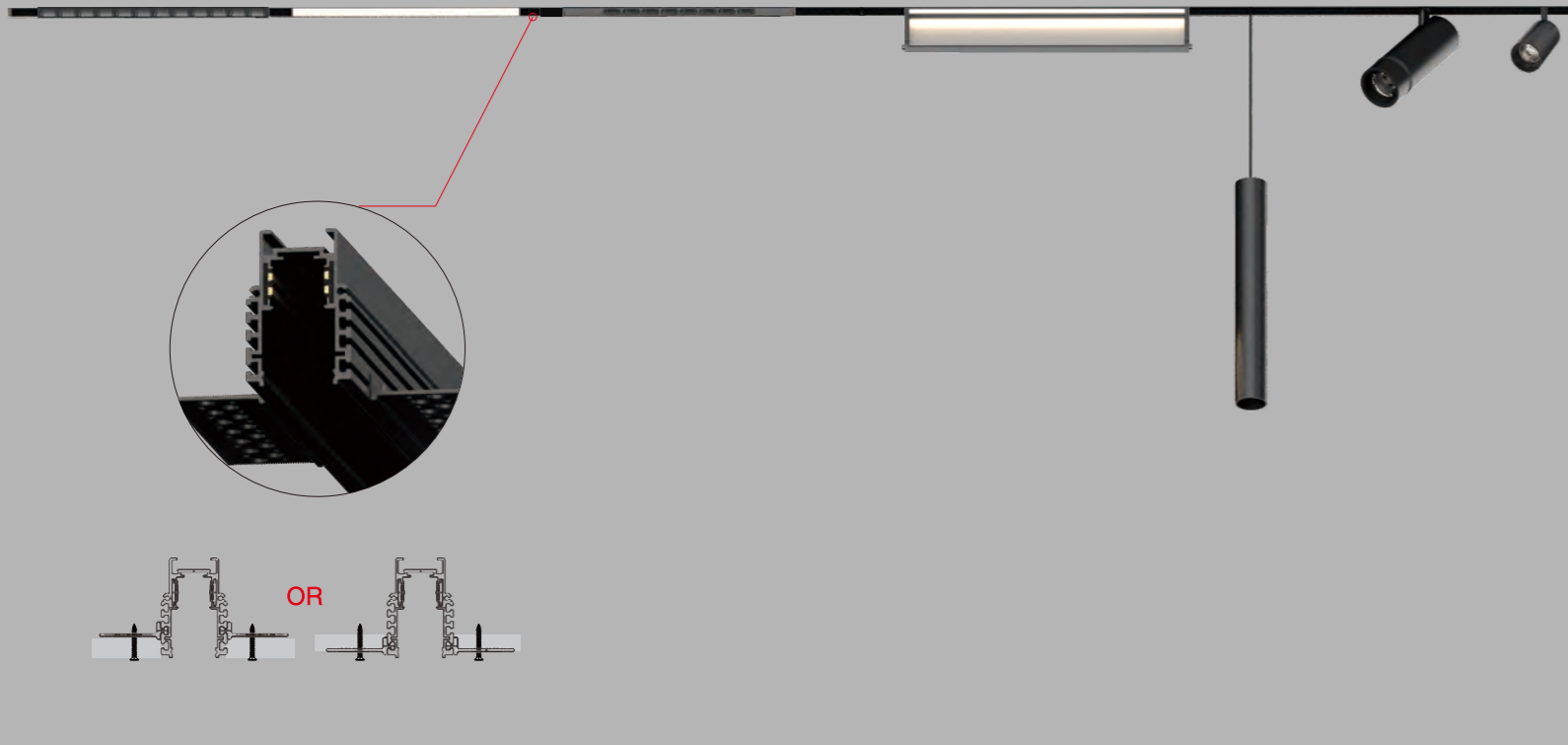
L (mm)	Description	Code/ Model (Black-Standard)	Code/ Model (White-Option)
1000	Trimless Recessed Track Rail-EI	ML26-FR1000-EI-B	ML26-TR1000-EI-W
2000	Trimless Recessed Track Rail-EI	ML26-FR2000-EI-B	ML26-TR2000-EI-W
3000	Trimless Recessed Track Rail-EI	ML26-FR3000-EI-B	ML26-TR3000-EI-W

*Track Rail including endcaps.

Accessories of Slim Track System

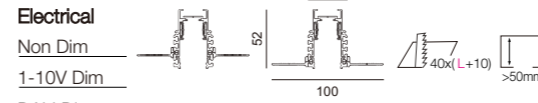
L (mm)	Description	Code/ Model (Black-Standard)	Code/ Model (White-Option)
100x100	Vertical 'L' shape corner module-Inner	ML26-TCM-EI-V-B	ML26-TCM-EI-V-W
100x100	Vertical 'L' shape corner module-Outer	ML26-TCM-EI-O-B	ML26-TCM-EI-O-W
100x100	Horizontal 'L' shape corner module	ML26-TCM-EI-B	ML26-TCM-EI-W
100x120	'T' Shape Connector Set	ML26-TTC-EI-B	ML26-TTC-EI-W
120x120	'X' Shape Connector Set	ML26-TXC-EI-B	ML26-TXC-EI-W
	Flexible Continuous Kit, Electrical	ML26-CKF-C-B	ML26-CKF-C-W
	*For Corner Connection.		
	Endcap Kit (2pcs/ set) of Trim Recessed Track	ML26-TEK-EI-B	ML26-TEK-EI-W
	Power Feeder Unit with feeder cables 500mm	ML26-PF-B	ML26-PF-W
	Track Rail Cover 1000mm	ML26-RC1000-B	ML26-RC1000-W
	Track Rail Cover 2000mm	ML26-RC2000-B	ML26-RC2000-W
	Track Rail Cover 3000mm	ML26-RC3000-B	ML26-RC3000-W
	*Track Rail Cover can be shortened as desired.		
	Linear Connector with screws	ML26-LC	ML26-LC
	Straight Continuous Kit*, Electrical	ML26-CKI-B	ML26-CKI-W
	*Continuous Kit needs to be used together with Linear Connector as a set.		
	Trimless Recessed Track mounting kit 1set for 1000mm track	ML26-RMK	ML26-RMK

NEKO / MODULINE 26 Linear System
 48V Low Voltage Modular Linear System
 Trimless Recessed Track System-Ceiling Thickness Adjustable



Short Info

Moduline 26 Trimless Recessed Track System
 Ceiling Thickness Adjustable



Electrical
 Non Dim
 1-10V Dim
 DALI Dim

Fixture Colour
 Black White(Optional)



Moduline 26 Trimless Recessed Track System
 Ceiling Thickness Adjustable

Please order installation track rail, light insets and mounting accessories separately.

Trimless Recessed Track System Ceiling Thickness Adjustable Version Installation Track Rail

L (mm)	Description	Code/ Model (Black-Standard)	Code/ Model (White-Option)
1000	Trimless Recessed Track Rail	ML26-TAR1000-B	ML26-TAR1000-W
2000	Trimless Recessed Track Rail	ML26-TAR2000-B	ML26-TAR2000-W
3000	Trimless Recessed Track Rail	ML26-TAR3000-B	ML26-TAR3000-W

*Track Rail including endcaps.

Accessories of Slim Track System

L (mm)	Description	Code/ Model (Black-Standard)	Code/ Model (White-Option)
80x80	Vertical 'L' shape corner module-Inner	ML26-TACM-V-B	ML26-TACM-V-W
80x80	Vertical 'L' shape corner module-Outer	ML26-TACM-O-B	ML26-TACM-O-W
80x80	Horizontal 'L' shape corner module	ML26-TACM-B	ML26-TACM-W
80x120	'T' Shape Connector Set	ML26-TATC-B	ML26-TATC-W
120x120	'X' Shape Connector Set	ML26-TAXC-B	ML26-TAXC-W
	Flexible Continuous Kit, Electrical	ML26-CKF-C-B	ML26-CKF-C-W
	*For Corner Connection.		
	Endcap Kit (2pcs/ set) of Trim Recessed Track	ML26-TAEK-B	ML26-TAEK-W
	Power Feeder Unit with feeder cables 500mm	ML26-PF-B	ML26-PF-W
	Track Rail Cover 1000mm	ML26-RC1000-B	ML26-RC1000-W
	Track Rail Cover 2000mm	ML26-RC2000-B	ML26-RC2000-W
	Track Rail Cover 3000mm	ML26-RC3000-B	ML26-RC3000-W
	*Track Rail Cover can be shortened as desired.		
	Linear Connector with screws	ML26-LC	ML26-LC
	Straight Continuous Kit*, Electrical	ML26-CKI-B	ML26-CKI-W
	*Continuous Kit needs to be used together with Linear Connector as a set.		
	Trimless Recessed installation kit 1set for 1000mm track	ML26-TAIK	ML26-TAIK

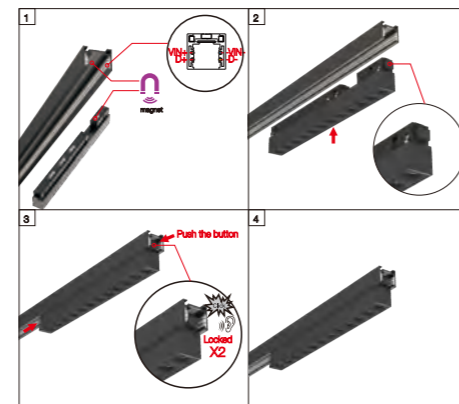
Short Info

- 48V low voltage system
- Trimless Recessed Track Rail Version made of extruded aluminium with 35mm width groove and 52mm height
- Suitable for 3mm/5mm/9mm/12.5mm/15mm/18mm/20mm/25mm thickness ceilings heights
- Track Rail available with standard lengths 1000mm, 2000mm and 3000mm
- 'L' shape corner module, 'T' shape connector and 'X' shape connector available for flexible system
- Linear Connector and Continuous Kit provided for continuous Track Rail connection
- Various lighting insets with multiple lighting applications, Tool-free insert mounting by magnetic+click-in double locking mechanism
- insets available with Non Dim, 1-10V Dim and DALI Dim

Insets



Features



-Magnetic+click-in double locking mechanism

NEKO / MODULINE 26 Linear System
48V Low Voltage Modular Linear System
Spotlight Inset

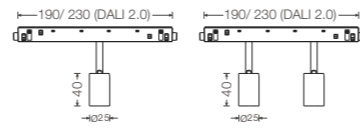


ML26-RS25-3W
Single Spot



ML26-RS25-5W
Double Spot

3W 5W CRI90 2700K 3000K 4000K 18° 30° 45° OSRAM 50,000h@L80B10 UGR < 19 IP20 5 YEARS GUARANTEE CB CE ETL Intertek



NEKO / MODULINE 26 Linear System
48V Low Voltage Modular Linear System
Spotlight Inset

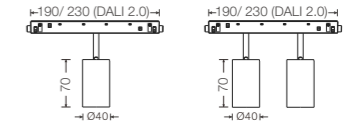


ML26-RS40-8W
Single Spot



ML26-RS40-16W
Double Spot

8W 16W CRI90 2700K 3000K 4000K 18° 30° 45° CITIZEN 50,000h@L80B10 UGR < 19 IP20 5 YEARS GUARANTEE CB CE ETL Intertek



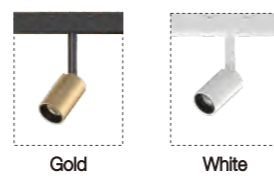
ML26-RS40-3W



ML26-RS25-5W

LED Power	System Power	LED Voltage	CRI	CCT	Beam	LED Output	System Output	Code					
2W	2W	48 V	90	2700K	18°	220lm	170lm	MLR1-9271803F-BB					
					30°	220lm	170lm	MLR1-9273003F-BB					
					45°	220lm	170lm	MLR1-9274503F-BB					
					3000K	18°	230lm	180lm	MLR1-9301803F-BB				
						30°	230lm	180lm	MLR1-9303003F-BB				
						45°	230lm	180lm	MLR1-9304503F-BB				
					4000K	18°	250lm	190lm	MLR1-9401803F-BB				
						30°	250lm	190lm	MLR1-9403003F-BB				
						45°	250lm	190lm	MLR1-9404503F-BB				
					Quick Supply: in Black, CRI90 3000K 30° Code Remark: F=F(ON-OFF) A=A(1-10V Dim) D=D(DALI Dim)								
					4W	5W	48 V	90	2700K	18°	420lm	330lm	MLR1-9271805F-BB
										30°	420lm	330lm	MLR1-9273005F-BB
45°	420lm	330lm	MLR1-9274505F-BB										
3000K	18°	450lm	350lm	MLR1-9301805F-BB									
	30°	450lm	350lm	MLR1-9303005F-BB									
	45°	450lm	350lm	MLR1-9304505F-BB									
4000K	18°	500lm	380lm	MLR1-9401805F-BB									
	30°	500lm	380lm	MLR1-9403005F-BB									
	45°	500lm	380lm	MLR1-9404505F-BB									
Quick Supply: in Black, CRI90 3000K 30° Code Remark: F=F(ON-OFF) A=A(1-10V Dim) D=D(DALI Dim)													

Optional



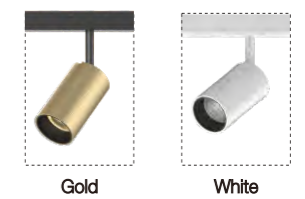
ML26-RS40-8W



ML26-RS40-16W

LED Power	System Power	LED Voltage	CRI	CCT	Beam	LED Output	System Output	Code					
7.5W	8W	48 V	90	2700K	18°	700lm	550lm	MLR2-9271808F-BB					
					30°	700lm	550lm	MLR2-9273008F-BB					
					45°	700lm	400lm	MLR2-9274508F-BB					
					3000K	18°	750lm	580lm	MLR2-9301808F-BB				
						30°	750lm	580lm	MLR2-9303008F-BB				
						45°	750lm	420lm	MLR2-9304508F-BB				
					4000K	18°	800lm	640lm	MLR2-9401808F-BB				
						30°	800lm	640lm	MLR2-9403008F-BB				
						45°	800lm	460lm	MLR2-9404508F-BB				
					Quick Supply: in Black, CRI90 3000K 30° Code Remark: F=F(ON-OFF) A=A(1-10V Dim) D=D(DALI Dim)								
					15W	16W	48 V	90	2700K	18°	1400lm	1000lm	MLR3-9271816F-BB
										30°	1400lm	1000lm	MLR3-9273016F-BB
45°	1400lm	800lm	MLR3-9274516F-BB										
3000K	18°	1500lm	1100lm	MLR3-9301816F-BB									
	30°	1500lm	1100lm	MLR3-9303016F-BB									
	45°	1500lm	850lm	MLR3-9304516F-BB									
4000K	18°	1600lm	1200lm	MLR3-9401816F-BB									
	30°	1600lm	1200lm	MLR3-9403016F-BB									
	45°	1600lm	900lm	MLR3-9404516F-BB									
Quick Supply: in Black, CRI90 3000K 30° Code Remark: F=F(ON-OFF) A=A(1-10V Dim) D=D(DALI Dim)													

Optional



NEKO / MODULINE 26 Linear System
48V Low Voltage Modular Linear System
Spotlight Inset



ML26-RS40-12W
Single Spot



ML26-RS40-24W
Double Spot

12W 24W CRI90 2700K 3000K 4000K 18° 30° 45° CITIZEN 50,000h@L80B10 UGR < 19 IP20 5 YEAR GUARANTEE CB CE ETL Intertek

NEKO / MODULINE 26 Linear System
48V Low Voltage Modular Linear System
Spotlight Inset



ML26-RT55-10W
Zooming Spot

10W CRI90 2700K 3000K 4000K 20°-40° 85°-60° CITIZEN 50,000h@L80B10 UGR < 19 IP20 5 YEAR GUARANTEE CB CE ETL Intertek



ML26-RS40-12W



ML26-RS40-24W

LED Power	System Power	LED Voltage	CRI	CCT	Beam	LED Output	System Output	Code					
11W 24W	12W	48 V	90	2700K	18°	1000lm	700lm	MLR4-9271812F-BB					
					30°	1000lm	700lm	MLR4-9273012F-BB					
					45°	1000lm	550lm	MLR4-9274512F-BB					
					3000K	18°	1100lm	750lm	MLR4-9301812F-BB				
						30°	1100lm	750lm	MLR4-9303012F-BB				
						45°	1100lm	600lm	MLR4-9304512F-BB				
					4000K	18°	1200lm	800lm	MLR4-9401812F-BB				
						30°	1200lm	800lm	MLR4-9403012F-BB				
						45°	1200lm	650lm	MLR4-9404512F-BB				
					Quick Supply: in Black, CRI90 3000K 30° Code Remark: F=F(ON-OFF) A=A(1-10V Dim) D=D(DALI Dim)								
					22W	24W	48 V	90	2700K	18°	2000lm	1400lm	MLR5-9271824F-BB
										30°	2000lm	1400lm	MLR5-9273024F-BB
45°	2000lm	1100lm	MLR5-9274524F-BB										
3000K	18°	2200lm	1500lm	MLR5-9301824F-BB									
	30°	2200lm	1500lm	MLR5-9303024F-BB									
	45°	2200lm	1200lm	MLR5-9304524F-BB									
4000K	18°	2400lm	1600lm	MLR5-9401824F-BB									
	30°	2400lm	1600lm	MLR5-9403024F-BB									
	45°	2400lm	1300lm	MLR5-9404524F-BB									
Quick Supply: in Black, CRI90 3000K 30° Code Remark: F=F(ON-OFF) A=A(1-10V Dim) D=D(DALI Dim)													



ML26-RT55-10W

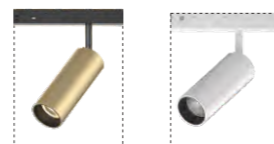
LED Power	System Power	LED Voltage	CRI	CCT	Beam	LED Output	System Output	Code	
9W	10W	48 V	90	2700K	20°-40°	1200lm	1000lm	MLR6-927Z410F-BB	
					35°-60°	1200lm	950lm	MLR6-927Z610F-BB	
					3000K	20°-40°	1300lm	1100lm	MLR6-930Z410F-BB
						35°-60°	1300lm	1000lm	MLR6-930Z610F-BB
					4000K	20°-40°	1400lm	1200lm	MLR6-940Z410F-BB
						35°-60°	1400lm	1100lm	MLR6-940Z610F-BB
Quick Supply: in Black, CRI90 3000K 20°-40° Code Remark: F=F(ON-OFF) A=A(1-10V Dim) D=D(DALI Dim)									

Optional



White

Optional



Gold

White

NEKO / MODULINE 26 Linear System
 48V Low Voltage Modular Linear System
 Spotlight Inset

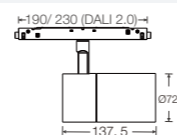


NEW



ML26-RS72-19W
 ML26-RS72-26W
 Single Spot

19W 26W CRI90 2700K 3000K 4000K 20° 35° 55° CITIZEN 60,000h@L80B10 UGR < 19 IP20 5 YEAR WARRANTY CB CE ETL Intertek



ML26-RS72-19W
 ML26-RS72-26W

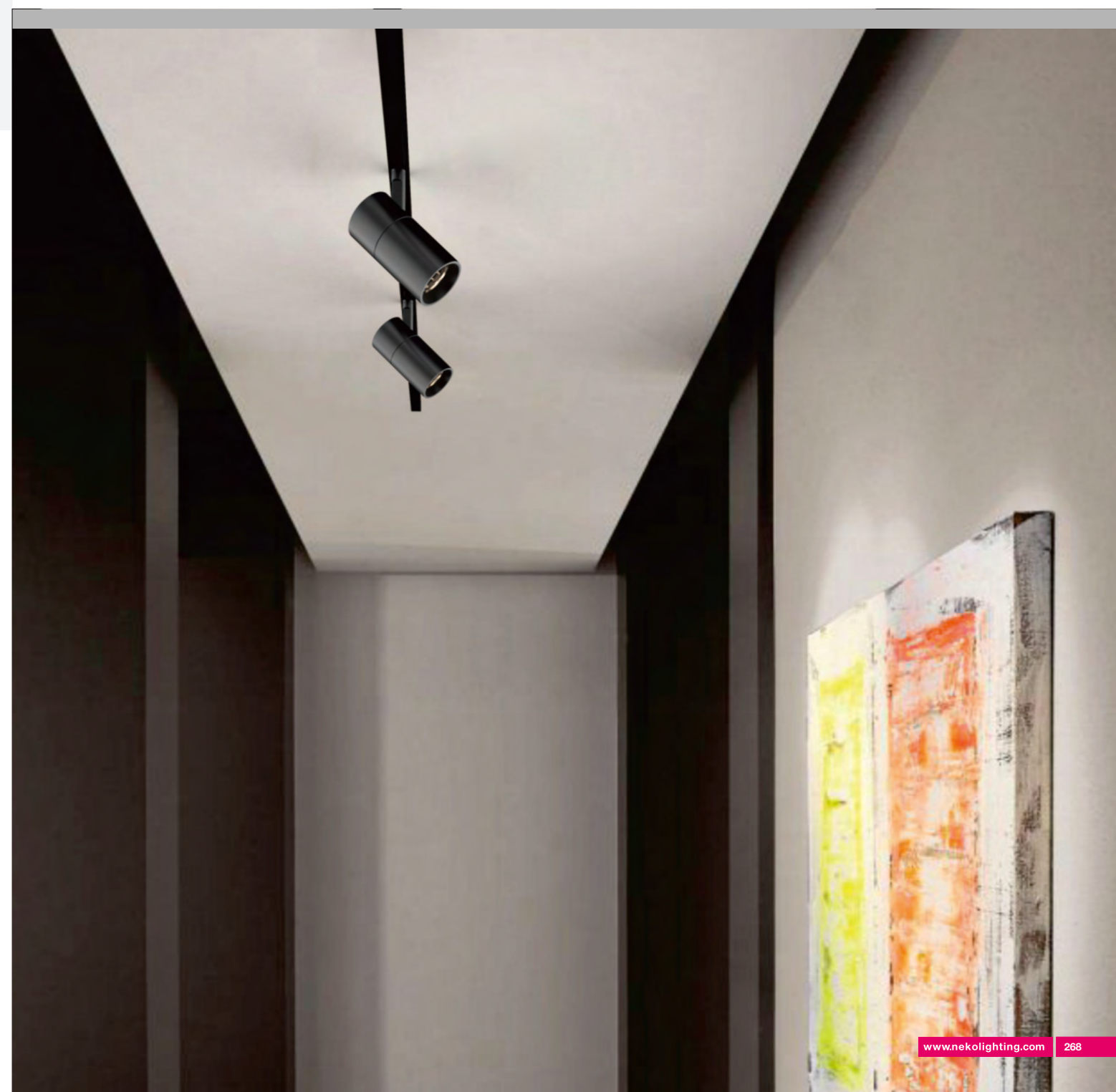
LED Power	System Power	LED Voltage	CRI	CCT	Beam	LED Output	System Output	Code	
18W 26W	19W 26W	48 V	90	2700K	20°	1800lm	1500lm	MLR7-9272019F-BB	
					35°	1800lm	1600lm	MLR7-9273519F-BB	
					55°	1800lm	1600lm	MLR7-9275519F-BB	
					20°	1900lm	1600lm	MLR7-9302019F-BB	
					35°	1900lm	1700lm	MLR7-9303519F-BB	
					55°	1900lm	1700lm	MLR7-9305519F-BB	
				3000K	20°	2100lm	1700lm	MLR7-9402019F-BB	
					35°	2100lm	1800lm	MLR7-9403519F-BB	
					55°	2100lm	1800lm	MLR7-9405519F-BB	
					4000K	20°	2500lm	2100lm	MLR7-9272026F-BB
						35°	2500lm	2300lm	MLR7-9273526F-BB
						55°	2500lm	2300lm	MLR7-9275526F-BB
20°	2700lm	2200lm	MLR7-9302026F-BB						
35°	2700lm	2400lm	MLR7-9303526F-BB						
55°	2700lm	2400lm	MLR7-9305526F-BB						
25W 26W	26W 26W	48 V	90	2700K	20°	2900lm	2400lm	MLR7-9402026F-BB	
					35°	2900lm	2600lm	MLR7-9403526F-BB	
					55°	2900lm	2600lm	MLR7-9405526F-BB	

Quick Supply: in Black, 26W CRI90 3000K 35° Code Remark: F=F(ON-OFF) A=A(1-10V Dim) D=D(DALI Dim)

Optional



White



NEKO / MODULINE 26 Linear System
48V Low Voltage Modular Linear System
Accent Light Inset



ML26-AL190-3W

ML26-AL190-7W

ML26-AL280-9W

ML26-AL280-13W

NEKO / MODULINE 26 Linear System
48V Low Voltage Modular Linear System
Adjustable Accent Light Inset



ML26-SA280-13W
Adjustable Accent Light Inset



ML26-AL190-3W



ML26-AL190-7W



ML26-AL280-9W



ML26-AL280-13W

LED Power	System Power	LED Voltage	CRI	CCT	Beam	LED Output	System Output	Code					
2W	3W	48 V	90	2700K	20°	230lm	170lm	MLA3-9272003F-BB					
					35°	230lm	170lm	MLA3-9273503F-BB					
					3000K	20°	250lm	180lm	MLA3-9302003F-BB				
						35°	250lm	180lm	MLA3-9303503F-BB				
					4000K	20°	270lm	200lm	MLA3-9402003F-BB				
						35°	270lm	200lm	MLA3-9403503F-BB				
					Code Remark: F=F(ON-OFF) A=A(1-10V Dim) D=D(DALI Dim)								
					6W	7W	48 V	90	2700K	20°	700lm	500lm	MLA4-9272007F-BB
35°	700lm	500lm	MLA4-9273507F-BB										
3000K	20°	750lm	550lm	MLA4-9302007F-BB									
	35°	750lm	550lm	MLA4-9303507F-BB									
4000K	20°	820lm	600lm	MLA4-9402007F-BB									
	35°	820lm	600lm	MLA4-9403507F-BB									
Code Remark: F=F(ON-OFF) A=A(1-10V Dim) D=D(DALI Dim)													
Quick Supply: in Black, CRI90 3000K 35°													
8W	9W	48 V	90	2700K	20°	950lm	700lm	MLA1-9272009F-BB					
					35°	950lm	700lm	MLA1-9273509F-BB					
					3000K	20°	1000lm	750lm	MLA1-9302009F-BB				
						35°	1000lm	750lm	MLA1-9303509F-BB				
					4000K	20°	1100lm	800lm	MLA1-9402009F-BB				
						35°	1100lm	800lm	MLA1-9403509F-BB				
					Code Remark: F=F(ON-OFF) A=A(1-10V Dim) D=D(DALI Dim)								
					12W	13W	48 V	90	2700K	20°	1400lm	1000lm	MLA2-9272013F-BB
35°	1400lm	1000lm	MLA2-9273513F-BB										
3000K	20°	1500lm	1100lm	MLA2-9302013F-BB									
	35°	1500lm	1100lm	MLA2-9303513F-BB									
4000K	20°	1600lm	1200lm	MLA2-9402013F-BB									
	35°	1600lm	1200lm	MLA2-9403513F-BB									
Code Remark: F=F(ON-OFF) A=A(1-10V Dim) D=D(DALI Dim)													
Quick Supply: in Black, CRI90 3000K 35°													

Optional



White



ML26-SA280-13W

LED Power	System Power	LED Voltage	CRI	CCT	Beam	LED Output	System Output	Code					
12W	13W	48 V	90	2700K	20°	1400lm	1000lm	MLA5-9272013F-BB					
					35°	1400lm	1000lm	MLA5-9273513F-BB					
					3000K	20°	1500lm	1100lm	MLA5-9302013F-BB				
						35°	1500lm	1100lm	MLA5-9303513F-BB				
					4000K	20°	1600lm	1200lm	MLA5-9402013F-BB				
						35°	1600lm	1200lm	MLA5-9403513F-BB				
					Code Remark: F=F(ON-OFF) A=A(1-10V Dim) D=D(DALI Dim)								
					Quick Supply: in Black, CRI90 3000K 35°								

Optional

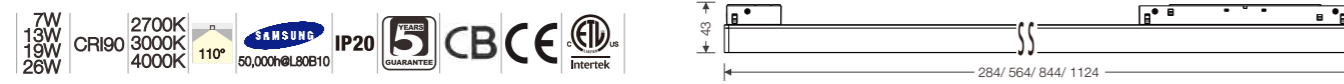


White

NEKO / MODULINE 26 Linear System
48V Low Voltage Modular Linear System
General Light Inset



NEKO / MODULINE 26 Linear System
48V Low Voltage Modular Linear System
Adjustable General Light Inset



Model	LED Power	System Power	LED Voltage	CRI	CCT	Beam	LED Output	System Output	Code
ML26-GL280-7W	6W	7W	48 V	90	2700K	110°	550lm	430lm	MLG1-927A107F-BN
					3000K	110°	600lm	400lm	MLG1-930A107F-BN
					4000K	110°	650lm	450lm	MLG1-940A107F-BN
					Quick Supply: in Black, CRI90 3000K				Code Remark: F=F(ON-OFF) A=A(1-10V Dim) D=D(DALI Dim)
ML26-GL560-13W	12W	13W	48 V	90	2700K	110°	1100lm	750lm	MLG2-927A113F-BN
					3000K	110°	1200lm	800lm	MLG2-930A113F-BN
					4000K	110°	1300lm	900lm	MLG2-940A113F-BN
					Quick Supply: in Black, CRI90 3000K				Code Remark: F=F(ON-OFF) A=A(1-10V Dim) D=D(DALI Dim)
ML26-GL840-19W	18 W	19 W	48 V	90	2700K	110°	1700lm	1100lm	MLG3-927A119F-BN
					3000K	110°	1800lm	1200lm	MLG3-930A119F-BN
					4000K	110°	1900lm	1300lm	MLG3-940A119F-BN
					Quick Supply: in Black, CRI90 3000K				Code Remark: F=F(ON-OFF) A=A(1-10V Dim) D=D(DALI Dim)
ML26-GL1120-26W	24W	26W	48 V	90	2700K	110°	2200lm	1500lm	MLG4-927A126F-BN
					3000K	110°	2400lm	1600lm	MLG4-930A126F-BN
					4000K	110°	2600lm	1700lm	MLG4-940A126F-BN
					Quick Supply: in Black, CRI90 3000K				Code Remark: F=F(ON-OFF) A=A(1-10V Dim) D=D(DALI Dim)

Optional



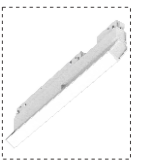
White

Model	LED Power	System Power	LED Voltage	CRI	CCT	Beam	LED Output	System Output	Code
ML26-SG280-7W	6W	7W	48 V	90	2700K	110°	550lm	430lm	MLG5-927A107F-BN
					3000K	110°	600lm	400lm	MLG5-930A107F-BN
					4000K	110°	650lm	450lm	MLG5-940A107F-BN
					Quick Supply: in Black, CRI90 3000K				Code Remark: F=F(ON-OFF) A=A(1-10V Dim) D=D(DALI Dim)



ML26-SG280-7W

Optional

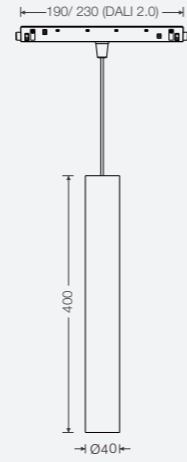


White

NEKO / MODULINE 26 Linear System
48V Low Voltage Modular Linear System
Pendant Spot Inset



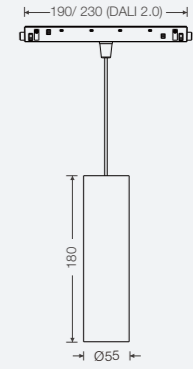
ML26-PS40-12W



NEKO / MODULINE 26 Linear System
48V Low Voltage Modular Linear System
Pendant Spot Inset



ML26-PS55-14W



12W CRI90 2700K 3000K 4000K CITIZEN 50,000h@L80B10 UGR < 19 IP20 CB CE

14W CRI90 2700K 3000K 4000K CITIZEN 50,000h@L80B10 UGR < 19 IP20 CB CE



ML26-PS40-12W

LED Power	System Power	LED Voltage	CRI	CCT	Beam	LED Output	System Output	Code	
11W	12W	48 V	90	2700K	18°	1000lm	700lm	MLP1-9271812F-BB	
					30°	1000lm	700lm	MLP1-9273012F-BB	
					45°	1000lm	550lm	MLP1-9274512F-BB	
					3000K	18°	1100lm	750lm	MLP1-9301812F-BB
						30°	1100lm	750lm	MLP1-9303012F-BB
						45°	1100lm	600lm	MLP1-9304512F-BB
					4000K	18°	1200lm	800lm	MLP1-9401812F-BB
						30°	1200lm	800lm	MLP1-9403012F-BB
						45°	1200lm	650lm	MLP1-9404512F-BB

Quick Supply: in Black, CRI90 3000K 30°

Code Remark: F=F(ON-OFF) A=A(1-10V Dim) D=D(DALI Dim)

Optional



Gold

White



ML26-PS55-14W

LED Power	System Power	LED Voltage	CRI	CCT	Beam	LED Output	System Output	Code	
13W	14W	48 V	90	2700K	18°	1100lm	900lm	MLP2-9271814F-BB	
					24°	1100lm	900lm	MLP2-9272414F-BB	
					36°	1100lm	750lm	MLP2-9273614F-BB	
					3000K	18°	1200lm	950lm	MLP2-9301814F-BB
						24°	1200lm	950lm	MLP2-9302414F-BB
						36°	1200lm	800lm	MLP2-9303612F-BB
					4000K	18°	1300lm	1000lm	MLP2-9401814F-BB
						24°	1300lm	1000lm	MLP2-9402414F-BB
						36°	1300lm	850lm	MLP2-9403614F-BB

Code Remark: F=F(ON-OFF) A=A(1-10V Dim) D=D(DALI Dim)

Optional



White

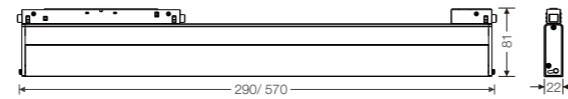
NEKO / MODULINE 26 Linear System
48V Low Voltage Modular Linear System
Wall Washer Inset



ML26-WW280-7W



ML26-WW560-13W



ML26-WW280-7W



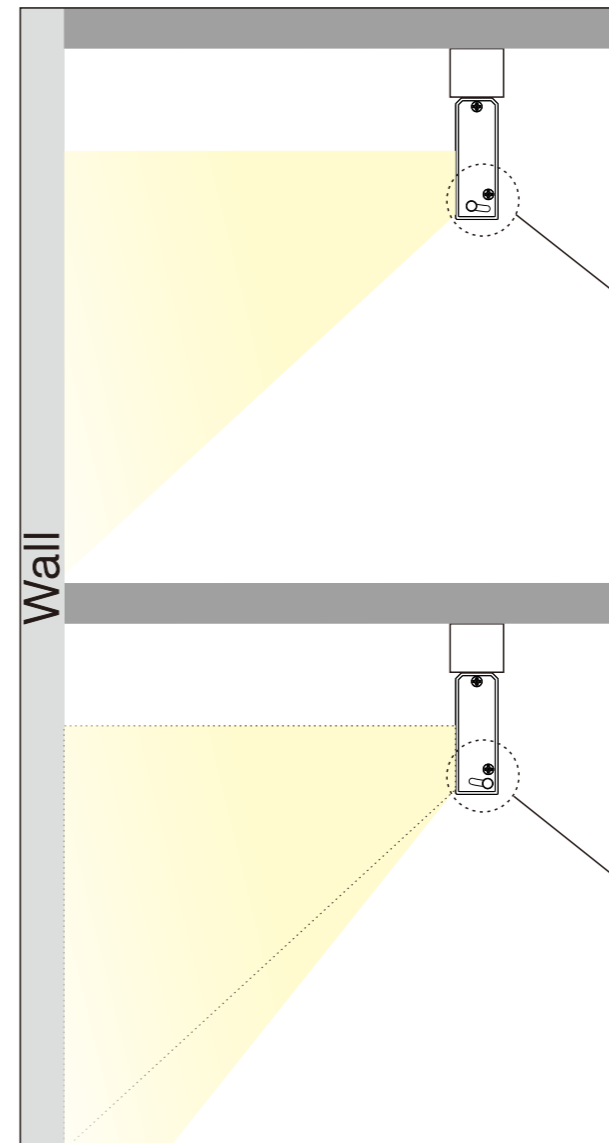
ML26-WW560-13W

LED Power	System Power	LED Voltage	CRI	CCT	Beam	LED Output	System Output	Code
6W	7W	48 V	90	2700K	Wall Washer	550lm	330lm	MLW1-927A107F-BM
					3000K Wall Washer	600lm	350lm	MLW1-930A107F-BM
					4000K Wall Washer	650lm	400lm	MLW1-940A107F-BM
Code Remark: F=F(ON-OFF) A=A(1-10V Dim) D=D(DALI Dim)								
12W	13W	48 V	90	2700K	Wall Washer	1100lm	670lm	MLW2-927A113F-BM
					3000K Wall Washer	1200lm	700lm	MLW2-930A113F-BM
					4000K Wall Washer	1300lm	750lm	MLW2-940A113F-BM
Code Remark: F=F(ON-OFF) A=A(1-10V Dim) D=D(DALI Dim)								

Optional



White



Adjustable Wall Washer

