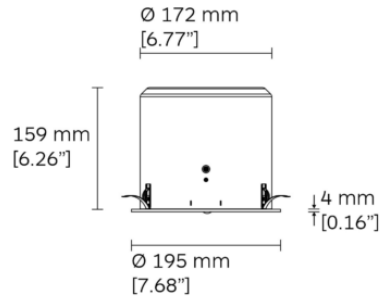


MOTO-COMBO 195 PRO ZOOM

ORDERING CODE: M5A5MN21-9030BSAC10



Ø186 mm

DESCRIPTION

Moto-Combo PRO are intelligent due to their inbuilt memory, allowing them to instantly recall pre-recorded position, color temperature, beam angle and dim level settings previously recorded via CASAMBI™ control app.

The fixture body made of aluminium and mounting ring of mild steel. Brackets for trim installation on ceiling thickness max. 25mm.

Two DC motors drive the movements of the fixture, which is tiltable vertically 40° in all directions on a dual-axis gimbal.

Zoom version includes a third motor that controls a special lens, which allows beam angle adjustment between 7°-18°.

MOUNTING

Recessed

OPTIC

Lens.

Beam Angle: Narrow / Medium / Wide.

Zoom version available with a 7°-18° range.

CONTROL OPTIONS

AC - Motor by CASAMBI: Dim by CASAMBI



LIGHT SOURCE AND PERFORMANCE

LIGHT SOURCE: LED Module - High Efficacy MN21 - LED

SDCM: 3-Step MacAdam

CCT: 30 - 3000K

CRI: 90

IP: 20

LED POWER: 17

NOMINAL LUMEN: 1827

SYSTEM POWER: 18

DELIVERED LUMEN: 1644

BEAM ANGLE (BA°): BS

Notes: BS= Adjustable Beam Shaping lens with a 7°-18° range.

PRODUCT CODE	LIGHT SOURCE CODE	-	CRI	CCT	BEAM ANGLE (BA°)	CONTROL OPTIONS	FINISH
M5A5	MN21	-	90	30	BS	AC	10 - Black

ACCESSORIES



Honeycomb Louvre

2334



Linear Spread

2598

NOTES:

We reserve the right to change specifications without prior notification.

MOTO-COMBO 195 PRO ZOOM

ORDERING CODE: M5A5MN21-9030BSAC10

For other CCT options, please contact us.

Tuneable White (TW) version: CCT from 2700K with 1980 lm to 5000K with 2655 lm.

Lumen output refers to peak lumen.

BS= Adjustable Beam Shaping lens in a range within 14°-28° range.

Lumenetix:

Tuning range: 1650-8000K. Gradients of saturated colours from 1-100% can be added to colour points within the tuning range.

The values in the nominal lumen are referring to the peak lumen.

PATENTED