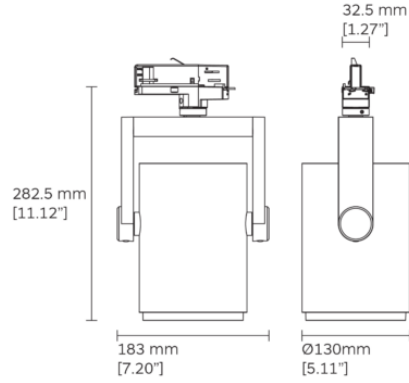


MOTO-ZERO 130 PRO

ORDERING CODE: M674IC34-903010AC10



DESCRIPTION

Moto-Zero PRO are intelligent due to their inbuilt memory, allowing them to instantly recall pre-recorded position, color temperature, beam angle, and dim level settings previously recorded via CASAMBI™ Control app. Motorized track mounted spotlight with light head and control gearbox in cast aluminium. Moto-Zero Pro 130 is inclusive of adapter compatible with 3 phase eurotype track. The control gearbox is available in two different shapes, D and S. Two DC motors drive movements, offering $\pm 90^\circ$ vertical tilt and 350° horizontal Pan motion. The zoom version consists of a third motor that allows light beam adjustment.

MOUNTING

Track

OPTIC

Lens or Reflector (according to the chosen light source).
Beam Angle: Super Narrow (7°) / Narrow / Medium / Wide.
Zoom Lens 7°-18°. Tuneable White Zoom Lens 14°-28°.

CONTROL OPTIONS

AC - Motor by CASAMBI: Dim by CASAMBI

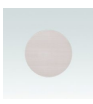



LIGHT SOURCE AND PERFORMANCE

LIGHT SOURCE:	LED Built-in with body - COB LED (Reflector) - COB
SDCM:	3-step MacAdam
CCT:	30 - 3000K
CRI:	90
IP:	20
LED POWER:	43
NOMINAL LUMEN:	4480
SYSTEM POWER:	49
DELIVERED LUMEN:	4010
BEAM ANGLE (BA°):	10

PRODUCT CODE	LIGHT SOURCE CODE	-	CRI	CCT	BEAM ANGLE (BA°)	CONTROL OPTIONS	FINISH
M674	IC34	-	90	30	10	AC	10 - Black

ACCESSORIES

	Linear Spread	2A49
	Honeycomb Louvre	2A52

We reserve the right to change specifications without prior notification.

MOTO-ZERO 130 PRO

ORDERING CODE: M674IC34-903010AC10



Visor

2A63



Snoot

2A58

NOTES:

Lumenetix:

Tuning range: 1650-8000K. Gradients of saturated colours from 1-100% can be added to colour points within the tuning range.
The values in the nominal lumen are referring to the peak lumen.

We reserve the right to change specifications without prior notification.