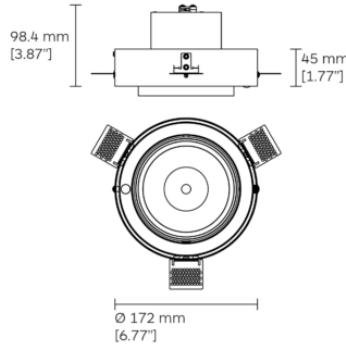


MOTO-GIMBALO ZOOM 130 PRO - TRIMLESS

ORDERING CODE: M5A9MN21-9030BSAC10



DESCRIPTION

Moto-Gimbalo PRO are intelligent due to their inbuilt memory, allowing them to instantly recall pre-recorded position, color temperature, beam angle with and dim level settings previously recorded via CASAMBI™ control app. Motorized Gimbal mounting trim and gimbal head are made of cast aluminium. The mounting brackets are designed for ceiling thickness max. 25mm. Remote-controlled DC motors drive movements of the fixture smoothly. Tiltable 0-40° in all directions on a dual-axis gimbal. Zoom version includes a third motor that controls a special lens, which allows beam angle adjustment between 7°-18°.

MOUNTING

Recessed

OPTIC

Lens.
Beam Angle: Narrow / Medium / Wide.
Zoom version available with a 7°-18° range.

CONTROL OPTIONS

AC - Motor by CASAMBI: Dim by CASAMBI



LIGHT SOURCE AND PERFORMANCE

LIGHT SOURCE:	LED Module - High Efficacy MN21 - LED
SDCM:	3-Step MacAdam
CCT:	30 - 3000K
CRI:	90
IP:	20
LED POWER:	17
NOMINAL LUMEN:	1827
SYSTEM POWER:	18
DELIVERED LUMEN:	1644
BEAM ANGLE (BA°):	BS
Notes:	BS= Adjustable Beam Shaping lens with a 7°-18° range.

PRODUCT CODE	LIGHT SOURCE CODE	-	CRI	CCT	BEAM ANGLE (BA°)	CONTROL OPTIONS	FINISH
M5A9	MN21	-	90	30	BS	AC	10 - Black

NOTES:
For other CCT options, Tuneable White (TW) version please contact us.
BS: Beam shaping.
PATENTED

We reserve the right to change specifications without prior notification.