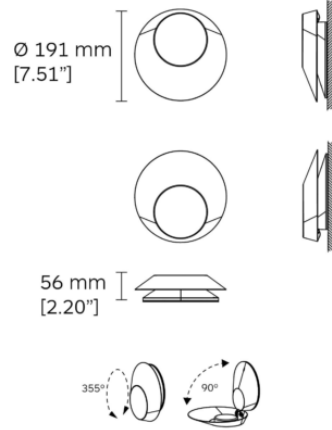
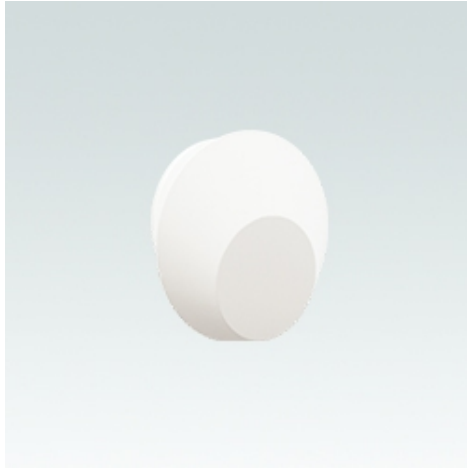


MOTO-FLAP 190

ORDERING CODE: M106BB22-903000DC10



DESCRIPTION

Motorized wall mounted luminaire.
Light Body and base are made of cast aluminium.
The included wall fixing device is made of painted metal and is equipped with a catch retainer for luminaire easy installation.
Moto-Flap is available in 190mm.
Two remote controlled DC motors drive the movements of the fixture.
A pan horizontal movement of 0-350° to create special light effect and a, shell-like tilt, vertical movement up to 90°.
The movements of the fixture, as well as the intensity and the colour tuning of the light, are controlled via CASAMBI™ application.

MOUNTING

Surface Mounted

OPTIC

Lens + diffuser.
Beam Angle: Extra wide.

DIMMING OPTIONS

DC - CASAMBI



LIGHT SOURCE AND PERFORMANCE

LIGHT SOURCE:	LED Built-in with body - COB - LED
COLOR TEMPERATURE:	30 - 3000K
CRI:	90
IP:	20
LED POWER:	8
NOMINAL LUMEN:	800
SYSTEM POWER:	8
DELIVERED LUMEN:	720
BEAM ANGLE (BA°):	00

PRODUCT CODE	LIGHT SOURCE CODE	-	CRI	CCT	BEAM ANGLE (BA°)	DIMMING OPTIONS	FINISH
M106	BB22	-	90	30	00	DC	10 - Black

NOTES:

For other CCT options, Tuneable White (TW) version please contact us.