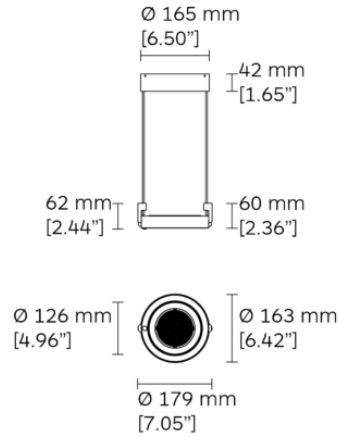


## MOTO-GIMBALO PENDANT

## ORDERING CODE: M705BC33-903015DL10



### DESCRIPTION

Motorized pendant mounted spotlight with light body and mounting clamps in cast aluminium. Supplied with ceiling canopy and pre-installed 2 x 1.5m pendant steel wires inclusive of electrical connection. The entire luminaire is tiltable vertically up to 45° in two directions. Furthermore the internal light head is tiltable 320°. The movements of the fixture, as well the intensity and the white colour tuning of the light, are controlled via CASAMBI™ application.

### MOUNTING

Pendant

### OPTIC

Lens.  
Narrow, medium and wide beam angle available.

### DIMMING OPTIONS

DL - Laser Dim



### LIGHT SOURCE AND PERFORMANCE

<b>LIGHT SOURCE:</b>	LED Built-in with body - High Efficacy BC33 - LED
<b>SDCM:</b>	3-step MacAdam
<b>COLOR TEMPERATURE:</b>	30 - 3000K
<b>CRI:</b>	90
<b>IP:</b>	20
<b>LED POWER:</b>	17
<b>NOMINAL LUMEN:</b>	1934
<b>SYSTEM POWER:</b>	20
<b>DELIVERED LUMEN:</b>	1829
<b>BEAM ANGLE (BA°):</b>	15

PRODUCT CODE	LIGHT SOURCE CODE	-	CRI	CCT	BEAM ANGLE (BA°)	DIMMING OPTIONS	FINISH
M705	BC33	-	90	30	15	DL	10 - Black

### NOTES:

For other CCT options, Tuneable White (TW) version please contact us. PATENT pending.