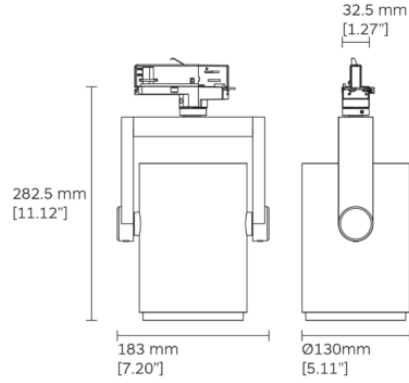


MOTO-ZERO 130

ORDERING CODE: M619IC34-903010DC10



DESCRIPTION

Track-mounted spotlight with cast aluminum light head and control gearbox. Moto-Zero is available in 3 sizes: 66mm, 100mm, and 130mm. Three-phase Eurotype track adapter is included with the fixtures. Two DC motors drive the fixtures, tilting them vertically up to 90° in two directions and rotating them horizontally 350°. In Moto-Zero 66 Zoom, a third motor controls a lens that shapes the light beam from narrow to wide.

The movements and the beam shaping of the fixture, as well as the intensity and the color tuning of the light, are controlled via DMX or CASAMBI™ application.

MOUNTING

Track

OPTIC

Lens or Reflector (according to the chosen model/light source). Beam Angle: Super Narrow (7°) / Narrow / Medium / Wide.

DIMMING OPTIONS

DC - CASAMBI



LIGHT SOURCE AND PERFORMANCE

LIGHT SOURCE:	LED Built-in with body - COB LED (Reflector) - COB
SDCM:	3-step MacAdam
COLOR TEMPERATURE:	30 - 3000K
CRI:	90
IP:	20
LED POWER:	43
NOMINAL LUMEN:	4480
SYSTEM POWER:	49
DELIVERED LUMEN:	4010
BEAM ANGLE (BA°):	10

PRODUCT CODE	LIGHT SOURCE CODE	-	CRI	CCT	BEAM ANGLE (BA°)	DIMMING OPTIONS	FINISH
M619	IC34	-	90	30	10	DC	10 - Black

ACCESSORIES

	Linear Spread	2A49
	Honeycomb Louvre	2A52
	Visor	2A63

We reserve the right to change specifications without prior notification.

MOTO-ZERO 130

ORDERING CODE: M619IC34-903010DC10



Snoot

2A58

NOTES:

Lumenetix:

Tuning range: 1650-8000K. Gradients of saturated colours from 1-100% can be added to colour points within the tuning range. The values in the nominal lumen are referring to the peak lumen.

We reserve the right to change specifications without prior notification.